



Using Your Vehicle's Water System

The water treatment system for all recreational vehicles equipped with a motor powered pump

For Cold Water Use Only

Your Everpure Water Treatment System provides you with the equipment and instructions you need to disinfect and filter your drinking water, making it great tasting, colorless and odorless. It will add to the pleasure, comfort and safety of mobile living whether parked and hooked to a water supply or operating on a self-contained basis. However, it cannot be used with a hand or foot pump or with water from a pond or other surface water source.

Servicing Your Water Filter

Your Everpure water filter may have been installed in your vehicle without its cartridge. You can easily install the unit's cartridge by following the simple instructions on the cartridge wrapper. You will know a fresh replacement cartridge is needed when the flow of water from your faucet becomes too slow for convenience. How often will this occur? That depends on how cloudy your unfiltered water is and how much water you use.

Each time water passes through the Everpure water filter, particles are trapped and held in the tiny pores of the MICRO-PURE® medium coating on the filtering element inside the cartridge. (MICRO-PURE® medium is a unique filtering substance consisting of a proprietary blend of activated carbon and other materials.) As the cartridge actively reduces the impurities from the water, its microscopically small pores slowly fill up... and the amount of water flowing from the cartridge gradually lessens. For the ADC Full-Timer, replace every 750 gallons; for the ADC Part-Timer*, replace every 200 gallons or when the flow of water from the water filter becomes too slow for convenience. If the cartridge is not changed, eventually the flow will stop entirely. Even when a decreasing flow does not demand it, at least one cartridge change a year is recommended for reliable performance from your Everpure Water Treatment System.

Use of Superchlorination for Maximum Protection

Chlorine is the world's most accepted and widely used disinfectant.

Superchlorination is a disinfection method which provides a chlorine residual of 3.0 to 5.0 ppm (parts per million). Although the chlorine will impart a taste and odor in the water, your Everpure water filter will reduce the chlorine taste and odor to greater than 95%*.

The Everpure Water Treatment System provides all that is needed except chlorine, which must be purchased fresh locally. Simply proceed with the following instructions:

To Superchlorinate Your Water

Superchlorinate with household laundry bleach (sodium hypochlorite). You may not have thought of this familiar product (Clorox®, Purex®, etc.) as a water disinfectant, but it is a common form of sodium hypochlorite (chlorine). Fill the Everpure chlorine disinfectant dispenser with fresh liquid bleach and add 1/6 ounce (5 ml) or 1 teaspoonful to each 10 gallons (38 l) of water held in your fresh water storage tank. The most effective method for putting chlorine into the water system is to first connect your hose to your vehicle and then put the bleach into the other end of the hose just before connecting it to the park faucet or other hydrant. Use chlorine every time you connect to a water source to keep the hose sanitary and to protect your water system from becoming contaminated via the water source**.

The chlorine color test (described in the following section) tells you whether or not you have added enough chlorine to your storage water to provide a safety-indicating excess.

You Must Test for Safety-Indicating Chlorine Residual

A residual of 3.0 to 5.0 parts per million chlorine, must be present after a 7 minute standing time. You can check for this necessary chlorine residual with the following simple, easy test.

The Everpure RV Water Treatment System provides easy to use test strips for determining the chlorine residual in your system's water. Take one strip and place under running water from any cold water outlet not served by your Everpure water filter. Leave the strip in the stream for approximately 10 seconds. Remove strip and compare the color of the free chlorine square with the color blocks on the side of the bottle labeled free chlorine. For maximum results your water color should be deeper than the 4 ppm color block. If it is not, add more chlorine to the water.

Remember, your Everpure water filter reduces the chlorine after it has done its disinfecting job, so you won't taste or smell

*Not Performance Tested or Certified by NSF

**Utilizing this process continuously may slightly decrease the capacity of the filter cartridge.

chlorine in drinking or cooking water taken from the faucet served by your water filter.

If you are not able to get a minimum 3.0 ppm residual reading by adding small amounts of chlorine to your water, most likely your water system is very badly contaminated. This can be remedied by dosing the system with a higher concentration of chlorine.

(IMPORTANT NOTE: RV manufacturers suggest sanitizing the water systems in new recreational vehicles. The following procedure may be used for this purpose.) Add 6 oz. (0.2 liter or 2/3 cup) of a 5-1/4% liquid household bleach to each 10 gallons (38 liters) of water held in your fresh water storage tank. To make sure of a thorough mixing, fill half of the tank, add bleach, then finish filling. Now open each faucet not serviced by the Everpure water filter until the water coming into it smells of chlorine; then shut it off. In this way, you draw chlorinated water into all parts of the system. Don't forget the hot water faucets. Repeat this at one hour intervals until the chlorine smell is immediately noticeable when you open a faucet. Now drain the water system and follow the directions under the heading "To superchlorinate your water". Use bleach as directed only.

Winterizing

Recreational vehicle manufacturer's instructions for winterizing should be followed. When using antifreeze, remove and discard the filter cartridge.

To install the diverter first turn off water to head. For QL2 & QL1 heads turn off supply by using an installed valve before head. For QL3 heads simply raise the valve handle to turn off water. Once water is turned off remove cartridge and install diverter using the following technique. Hold diverter by support bar and guide it up into the head with bar end approximately centered below label. Push diverter up into head as far as possible and turn it clockwise approximately 90°; diverter should be locked in position. Open appropriate valve allowing water to flow through head. (Figure 1)

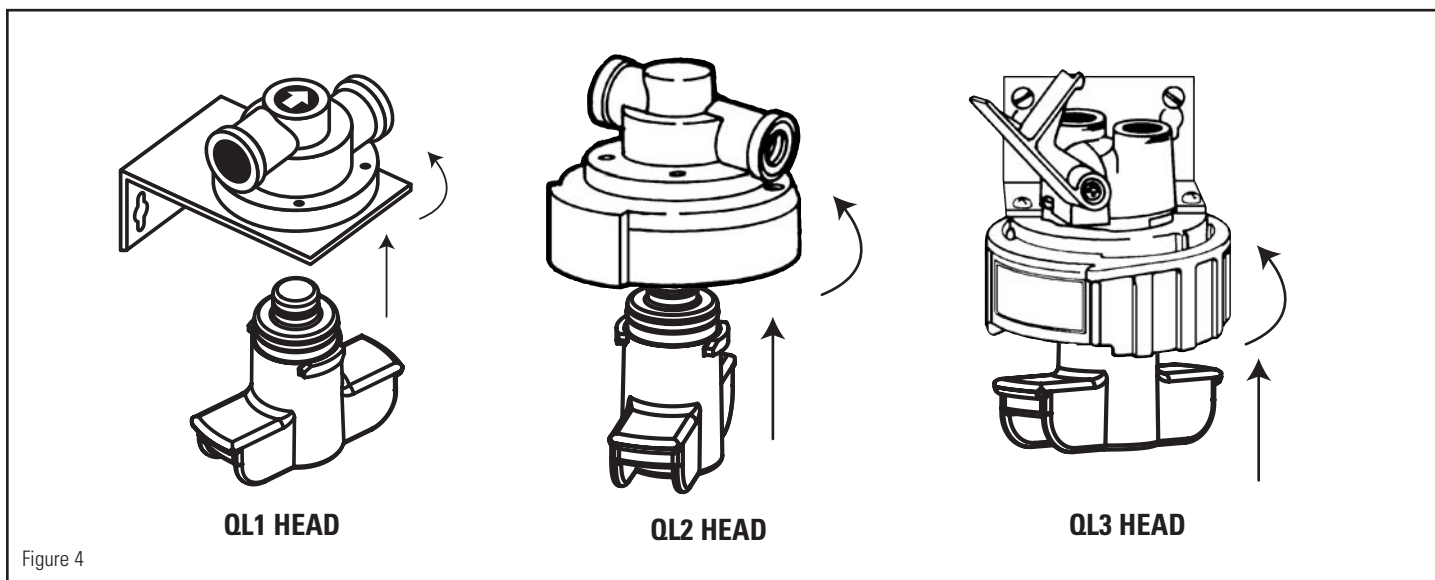


Figure 4

Operating Specifications

Capacity: QL1-WPS* – 200 Gallons (757L)
 QL2-WPS & QL3-WPS –750 Gallons (2840L)

Pressure Requirements: 10-125psi (0.7-8.6bar), non-shock

Temperature: 35-100F (2-38C)

Flow Rate: 0.5gpm (1.9Lpm)

* Not performance tested or certified by NSF

The QL2-WPS and QL3-WPS are Tested and Certified by NSF International against NSF/ANSI Standards 42 & 53 for the reduction of:

Standard No. 42: Aesthetic Effects

Chemical Reduction Unit
 Taste and Odor Reduction
 Chlorine Reduction

Mechanical Filtration Unit
 Particulate Reduction, Class I:
 99.9+% reduction of particles one-half micron and larger in size

Standard No. 53: Health Effects

Mechanical Filtration Unit
 Turbidity Reduction
 Cyst Reduction
 Asbestos Reduction



The QL1-WPS is Tested and Certified by the WQA against NSF/ANSI as verified and substantiated by test data Standards 42 & 53 for the reduction of:

Standard No. 42: Aesthetic Effects


Chemical Reduction Unit
 Taste and Odor Reduction
 Chlorine Reduction

Mechanical Filtration Unit
 Particulate Reduction, Class I:
 99.9+% reduction of particles one-half micron and larger in size

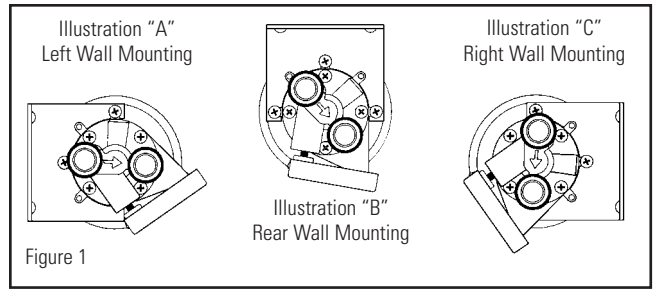
Standard No. 53: Health Effects

Chemical Reduction Unit
 Lead Reduction

Mechanical Filtration Unit
 Turbidity Reduction

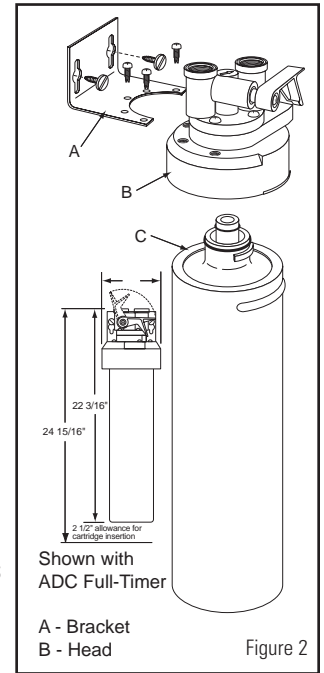


Check for compliance with state and local laws and regulations.
 Do not use with water that is microbiologically unsafe, or of unknown quality without adequate disinfection before or after the system. Systems certified for cyst reduction may be used on disinfected waters that may contain filterable cysts.



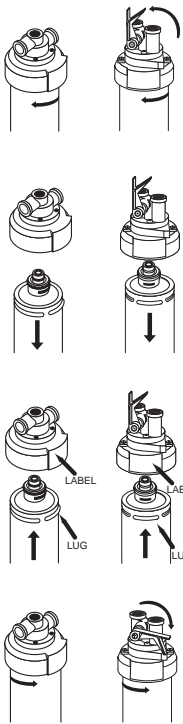
Installation Guidelines

1. The water filter should be installed on the cold water line used for cooking and drinking water.
2. The water filter must be mounted in a vertical (upright) position
3. QL1 filter heads come with built-in John Guest 3/8" fittings. The QL2 & QL3 filter heads come with 3/8" NPT threaded ports.
4. Follow clearance requirements noted on the right.
5. Once the head is mounted, connect the cold water line to the inside of the head. An arrow on top of the head clearly denotes in and out.
6. Connect a line from the out port of the head to any and all devices used for cooking or drinking water.
7. A bypass plug can be used to test connections for leakage.
8. If applicable install cartridge and follow flushing procedures on the next page.



Cartridge Change Instructions

Use only genuine Everpure® replacement cartridges to maintain your system's certifications. **ACCEPT NO SUBSTITUTES.**



1. Shut off water and relieve line pressure. For heads with built-in shut-off valve, fully lift handle until it stops.
 2. Hold head firmly. Push upward on cartridge and turn it to left 1/4 turn, until rotation stops.
 3. Pull cartridge down and out of head.
 4. Align new cartridge lug with head label. Hold head firmly. Insert new cartridge into head.
 5. Turn cartridge to right 1/4 turn until rotation stops.
 6. Turn on water supply. For heads with built-in valve, lower handle.
- NOTE:** For Head with Revolving Ring, make sure the valve handle locks firmly into the ring notch.
7. NOW FLUSH CARTRIDGE! Follow start up procedure.



Start-Up Procedure

Run water through filtered water faucet for three minutes to activate cartridge. Activation also purges air and carbon fines. (A unit plumbed to an ice maker should also be plumbed to a drinking water tap to insure satisfactory performance.)

NOTE: Dispensed water may appear cloudy for a few days. This is due to air in the filter cartridge, and does not affect system performance or contaminant reduction in any way.

Available Replacement Parts

AC Cartridge	EV9601-12
ADC Full-Timer Cartridge	EV9592-01
ADC Part-Timer Cartridge (Twin Pack)*	EV9592-07
Chlorine Test Strips	EV3112-11
Antifreeze Diverter	EV3008-17
The QL1-WPS* uses the ADC Part-Timer Cartridge*	
The QL2-WPS and QL3-WPS use either the AC or ADC Full-Timer Cartridge	
* Not performance tested or certified by NSF.	

LIMITED WARRANTY

Everpure, Inc. warrants this product to be free of defects for twelve months after purchase. This warranty extends only to the original customer purchaser and does not cover products which malfunction due to user neglect or unauthorized modification. To obtain warranty performance, return this product to Everpure, Inc., transportation or mailing prepaid, with an attached statement giving the date and place of purchase, the nature of the defect and your return address, and if possible, your telephone number. Upon receipt, Everpure, Inc., will examine your claim. If this warranty applies, Everpure, Inc., at its option, will either replace or repair this product. Please send all returns or warranty questions to: Everpure, Inc., 2375 Sanders Road, Northbrook, Illinois 60062. This warranty is given in lieu of all other warranties expressed or implied, written or oral. No employee, agent, dealer, or other person is authorized to give any warranties on behalf of Everpure, Inc. Note: Some states do not allow limitations on how long an implied warranty lasts, so the above limitation may not apply to you. Similarly, some states do not allow the exclusion or limitation of consequential or incidental damages, so the above limitation or exclusion may not apply to you. This warranty gives you specific legal rights and you may also have other rights which may vary from state to state. Proof of purchase must accompany all merchandise returns. Check for compliance with state and local laws and regulations.

Manual Superchlorination must be administered according to the instructions in this Owner's Installation and Operation Guide to achieve satisfactory disinfection. Everpure, Inc., does not guarantee the final result; the user must be responsible for following the directions correctly and using fresh chlorine bleach.



For sales, replacement components, and service, contact your Everpure dealer or:

EVERPURE, Inc.: 1040 Muirfield Drive • Hanover Park, Illinois 60133 • (630) 307-3000

IN EUROPE: Research Park, Haasrode, B-3001 Heverlee, Belgium

IN JAPAN: 1-8-19, Tsumada, Kita • Atsugi-Shi, Kanagawa 243, Japan

Covered by one or more of the following patents:

U.S. 4396512, 4645601, 4654142, 4857189, 4956086; Can. 952041, 1001565, 1140522; G.B. 2051770; Fr. 2457708, 7020772; Jap. 1533515; Aust. 535943; Bel. 883574; W. Ger. 2023491. Other Foreign Pats. Pend.

**This page contains materials and ECN information.
IT DOES NOT PRINT AS PART OF THE DOCUMENT!**

Materials & Description: **RV Water Treatment System Owners Guide EV535500**

Size: **11" x 17", Folded to 8 1/2" x 11" ±1/16" tolerance**

Color: **Black, 2 Sided**

Stock: **20# White**

Coating:

Other: **Fold to 8 1/2x11 with Head Out**

LET	CHANGE	BY	APRVD	ECN	DATE
I	REVISED PER DCO	LR	JB	3918	05/09/02
J	UPDATE TEXT	LR	JB/TF	5458	04/28/04
K	WQA Change "Clear" to "Colorless" Change fonts, clean-up	LR JN	TF	04-120	07/12/04