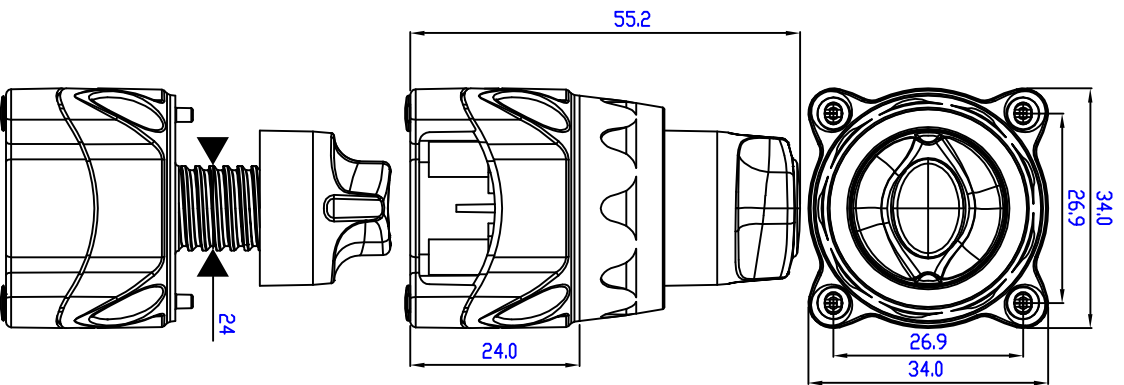
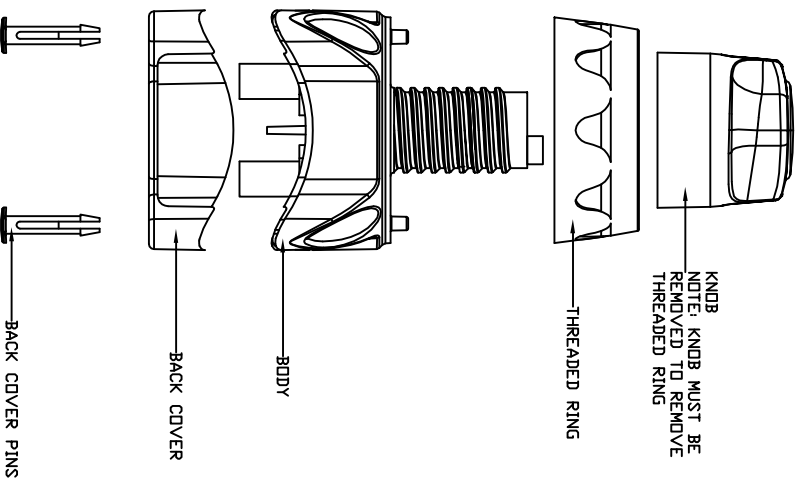


TO REMOVE KNOB
 ROTATE THE KNOB ANTICLOCKWISE TO OFF POSITION. THE KNOB IS STILL LOCKED TO SWITCH.
 TO REMOVE KNOB FROM SWITCH, DEPRESS AND CONTINUE TO ROTATE ANTICLOCKWISE UNTIL THE STOP IS REACHED. KNOB CAN NOW BE REMOVED.
 THIS LOCK POSITION IS USED TO KEEP KNOB IN PLACE WHEN SWITCH IS IN THE OFF POSITION.

TO REPLACE KNOB
 PLACE KNOB IN SWITCH HOUSING. DEPRESS AND TURN CLOCKWISE 45° TO THE OFF POSITION.

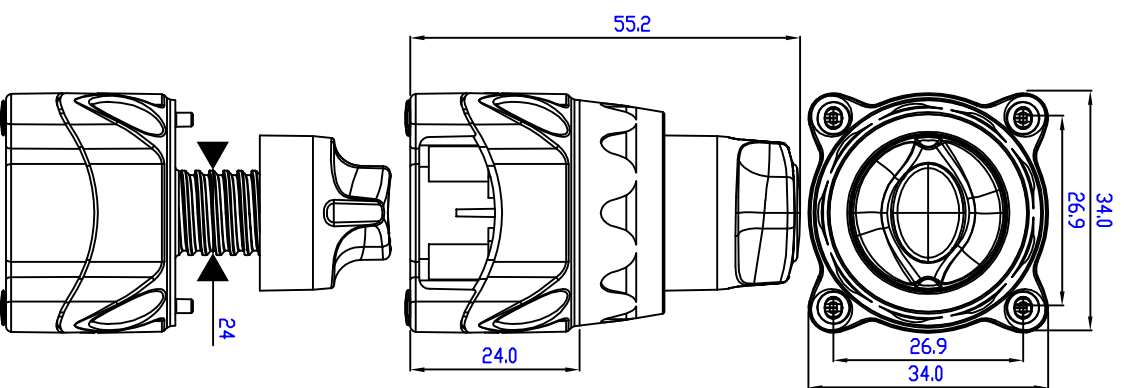


NO SOLVENTS OR SEALERS ARE TO BE USED ON THE BATTERY SWITCH. A PETROLEUM BASED GREASE CAN BE USED ON THE LUG-STUD JOINT.

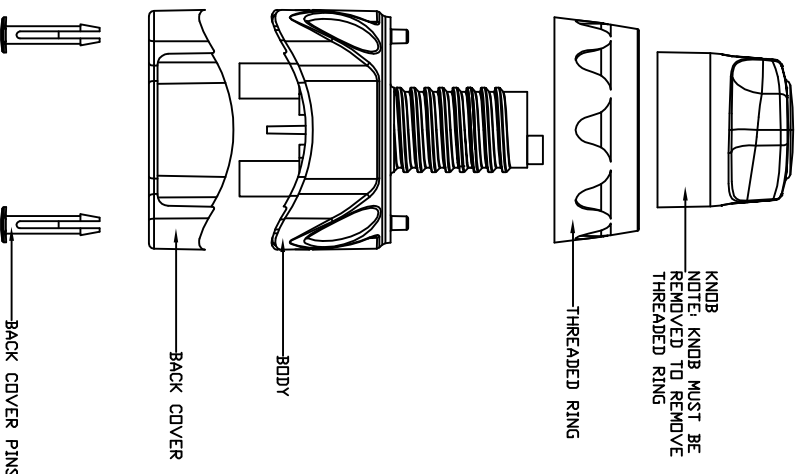


TO REMOVE KNOB
 ROTATE THE KNOB ANTICLOCKWISE TO OFF POSITION. THE KNOB IS STILL LOCKED TO SWITCH.
 TO REMOVE KNOB FROM SWITCH, DEPRESS AND CONTINUE TO ROTATE ANTICLOCKWISE UNTIL THE STOP IS REACHED. KNOB CAN NOW BE REMOVED.
 THIS LOCK POSITION IS USED TO KEEP KNOB IN PLACE WHEN SWITCH IS IN THE OFF POSITION.

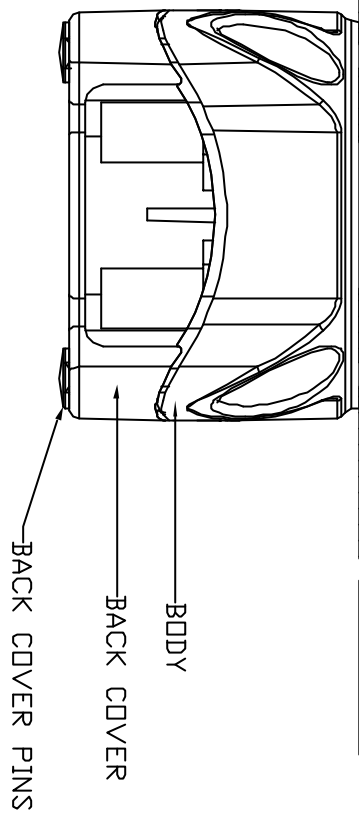
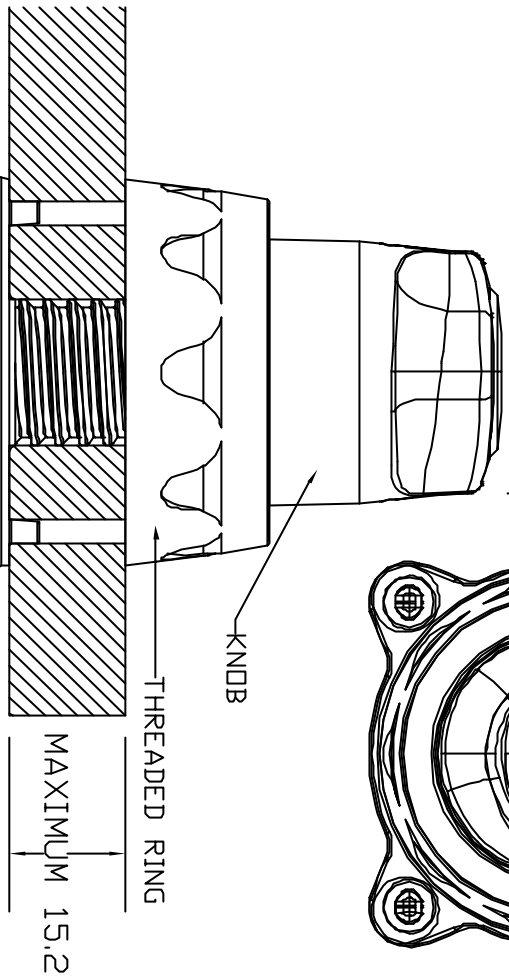
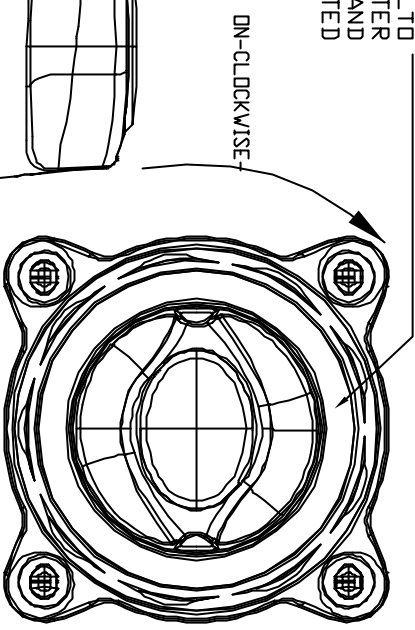
TO REPLACE KNOB
 PLACE KNOB IN SWITCH HOUSING. DEPRESS AND TURN CLOCKWISE 45° TO THE OFF POSITION.



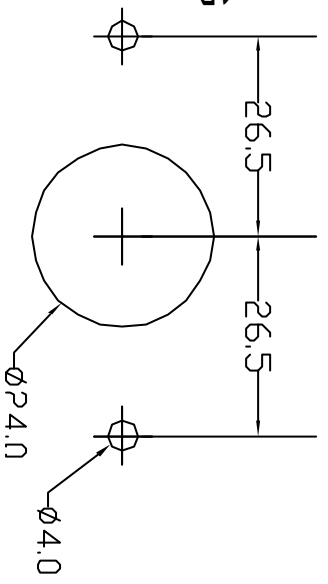
NO SOLVENTS OR SEALERS ARE TO BE USED ON THE BATTERY SWITCH. A PETROLEUM BASED GREASE CAN BE USED ON THE LUG-STUD JOINT.



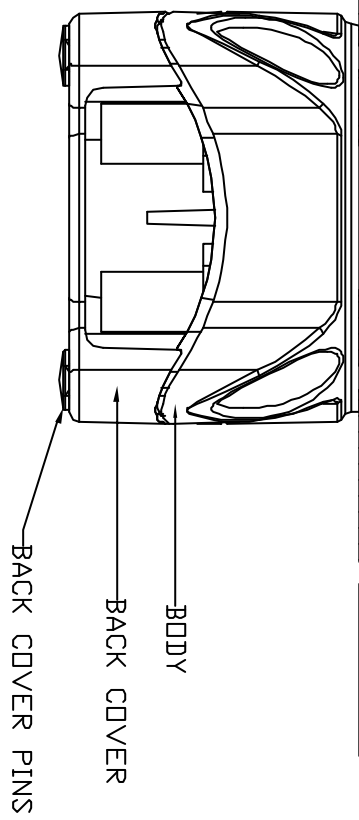
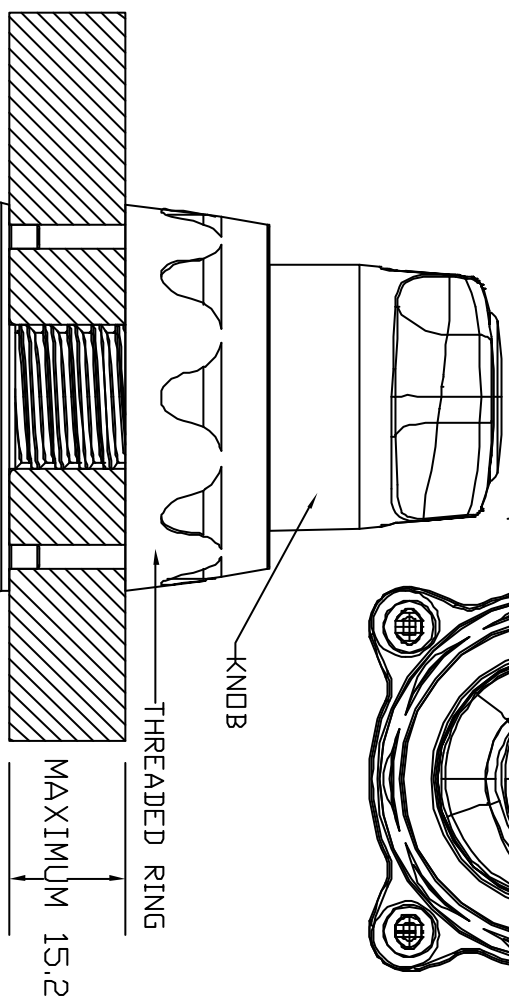
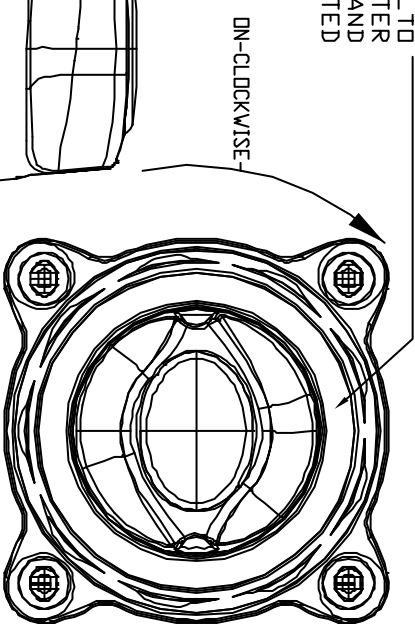
FIT ON/OFF LABEL TO
THREADED RING AFTER
RING IS TIGHTENED AND
KNDD IS REFITTED



MOUNTING
TEMPLATE



FIT ON/OFF LABEL TO
THREADED RING AFTER
RING IS TIGHTENED AND
KNDD IS REFITTED



MOUNTING
TEMPLATE

