



LIPPERT
COMPONENTS®



RV Entry Door Friction Hinge Kit

Installation and Owner's Manual

(For Aftermarket Applications)

Table of Contents

Introduction	2
Safety	2
Parts List	2
Resources Required	2
Installation	3
Notes	4
Template	7

Friction Hinge Aftermarket Kits	
Part #	Description
2020109835	Friction Hinge; 5-leaf white
2020102629	Friction Hinge; 5-leaf black



RV Entry Door Friction Hinge Kit

Installation and Owner's Manual

(For Aftermarket Applications)

Introduction

The 5-Leaf Friction Hinge Assembly by Lippert Components® can be installed on any LCI entry door series, as well as most Challenger Brand entry doors. The hinge allows the door to remain in any position, eliminating instances of the door swinging freely open or slamming closed.

Additional information about this product can be obtained from lci1.com/support or by using the myLCI app. Replacement kits can be ordered from <https://store.lci1.com/> or by using the myLCI app.

The myLCI app is available for free on iTunes® for iPhone® and iPad® and also on Google Play™ for Android™ users.

iTunes®, iPhone®, and iPad® are registered trademarks of Apple Inc.

Google Play™ and Android™ are trademarks of Google Inc.

Safety

Read and fully understand all instructions before installing or operating this product.

⚠ CAUTION

THE "CAUTION" SYMBOL ABOVE IS A SIGN THAT A SAFETY RISK IS INVOLVED AND MAY CAUSE PERSONAL INJURY AND/OR PRODUCT OR PROPERTY DAMAGE IF NOT SAFELY ADHERED TO AND WITHIN THE PARAMETERS SET FORTH IN THIS MANUAL

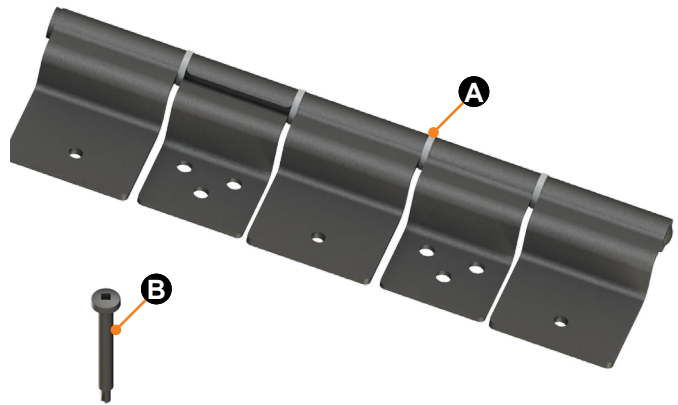
⚠ CAUTION

ALWAYS WEAR EYE PROTECTION WHEN PERFORMING SERVICE OR MAINTENANCE TO THE UNIT. OTHER SAFETY EQUIPMENT TO CONSIDER WOULD BE HEARING PROTECTION, GLOVES AND POSSIBLY A FULL FACE SHIELD, DEPENDING ON THE NATURE OF THE SERVICE.

⚠ CAUTION

MOVING PARTS CAN PINCH, CRUSH OR CUT. KEEP CLEAR AND USE CAUTION.

Parts List



NOTE: Part numbers are shown for identification purposes only. Not all parts are available for individual sale. All parts with a link to the Lippert Store can be purchased.

Letter	Part#	Description	Qty
A	664342	Friction hinge; 5-leaf white	2
	664343	Friction hinge; 5-leaf black	
B	807893	10 – 16 x 1 3/4" square drive self-drilling panhead white	30
	807894	10 – 16 x 1 3/4" square drive self-drilling panhead black	

NOTE: All screws going to the outer frame and core of the door should be a minimum of 1 1/2 inches long.

Resources Required

- 1-2 people, depending on task
- Cordless or electric drill or screw gun
- Appropriate drive bits
- 1/64" drill bit (if choosing to pre-drill holes in hinge prior to installation)
- Non-permanent method of marking.



RV Entry Door Friction Hinge Kit Installation and Owner's Manual (For Aftermarket Applications)

Installation

NOTE: Door bulb seal not shown on images for clarity.

1. Find the center between the existing top hinge and the middle hinge and middle hinge and bottom hinge on the outer frame (Fig.1A) and mark this spot.

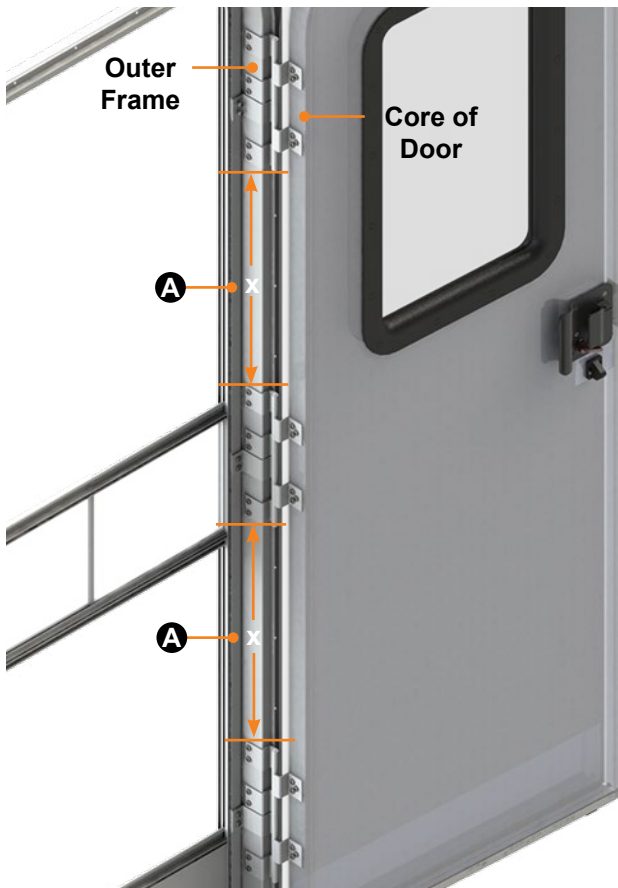


Fig.1

2. Spread open the hinge leaves (1, 3, 5) that attach to the outer frame (Fig. 2A) from leaves (2, 4) that attach to the core of the door (Fig.2C) far enough for installation on the door.

3. Use the template and instructions on **Page 7** to mark or pre-drill the locations for the additional fastener holes required for leaves 1, 3 and 5.

4. Find the center on the hinge (Fig. 2) and place it on the center mark made on the outer frame (Fig. 1) between the top and middle hinges, making sure to use the proper leaves for the outer frame (Fig. 3A).

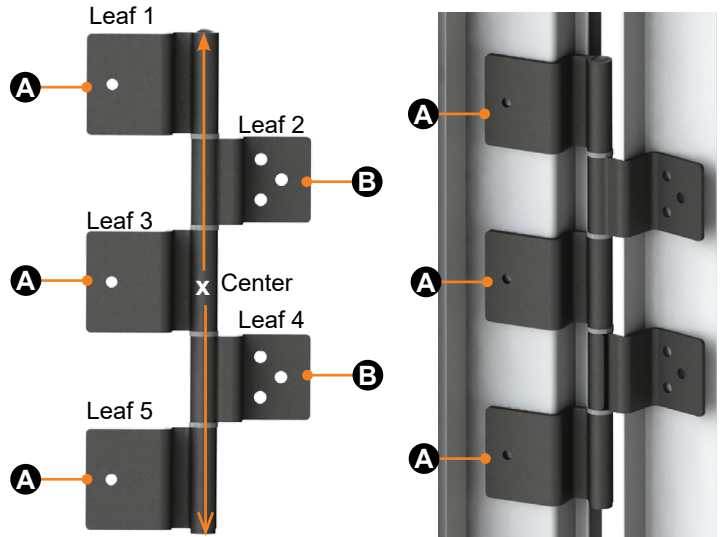


Fig.2

Fig.3

5. Screw the hinge to the outer frame through the existing hole on leaves 1, 3 and 5 (Fig.4A) using the 1 3/4" fasteners.



Fig.4



LIPPERT
COMPONENTS®

**RV Entry Door
Friction Hinge Kit**
Installation and Owner's Manual
(For Aftermarket Applications)

Notes



LIPPERT
COMPONENTS®

Manual information may be distributed as a complete document only, unless Lippert Components provides explicit consent to distribute individual parts.

All manual information is subject to change without notice. Revised editions will be available for free download at lci1.com. Manual information is considered factual until made obsolete by a revised version.

Please recycle all obsolete materials and contact Lippert Components with concerns or questions.



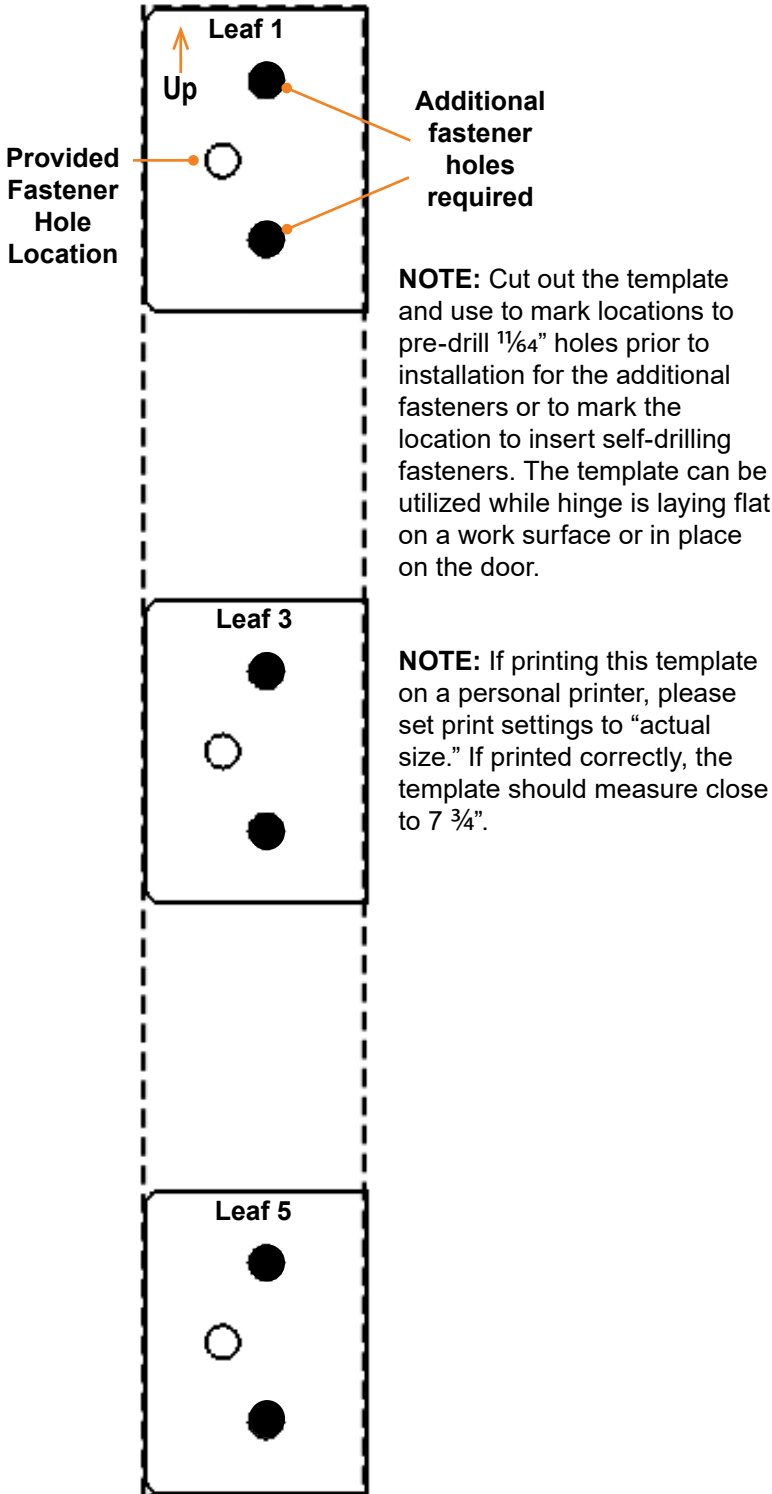
LIPPERT
COMPONENTS®

RV Entry Door Friction Hinge Kit

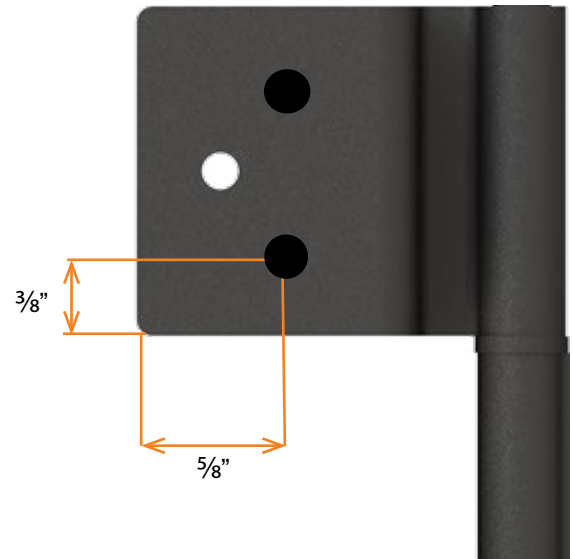
Installation and Owner's Manual

(For Aftermarket Applications)

Template



Typical Additional Fastener Locations





LIPPERT
COMPONENTS®

**RV Entry Door
Friction Hinge Kit**
Installation and Owner's Manual
(For Aftermarket Applications)

Intentionally left blank