



INSTALLATION INSTRUCTIONS FOR GLASS COVERS

MODEL RANGE / SLIDE-IN



WARNING! Improper installation, adjustment, alteration, service or maintenance can cause property damage, personal injury or loss of life. Refer to the installation instructions and/or owners manual provided with your appliance. The removal and re-installation of the appliance as well as the installation of component parts must be made by a qualified installer, service agency or the gas supplier.

WARNING! Installation of this appliance must be made in accordance with the written instructions provided in the manual. No agent, representative or employee of Airxcel, Inc., Suburban Division or other person has the authority to change, modify, or waive any provision of the instructions contains in the manual or instruction sheet.

1. Ensure that you have the available space shown in Figure 1 for installation. Allowance for clearance to combustibles, per the range or slide-in installation manual, must also be given. If you do not have this much space available, this accessory will not fit. Do not proceed any further.
2. Ensure the cabinets are properly constructed. The cabinets must be squared with respect to the counter top and the cabinet face. For proper operation of these units, the cabinet must be level and the bottom of the range or slide-in must be supported.
3. Prepare the cabinets to the dimensions shown. In constructing the cabinets, you must be sure to follow the minimum clearance to combustibles outlined in the installation manual that came with your range or slide-in. Please note, Dimension 'F' must be followed to allow the cover to fully open.
4. Place the glass cover in the cabinet opening and attach with the four screws provided.
5. Install the range or slide-in per manufacturer's instructions. The appliance will recess into the glass cover trim. The appliance must be mounted to the cabinetry.
6. The glass cover is not to be in place while the surface burners are on.

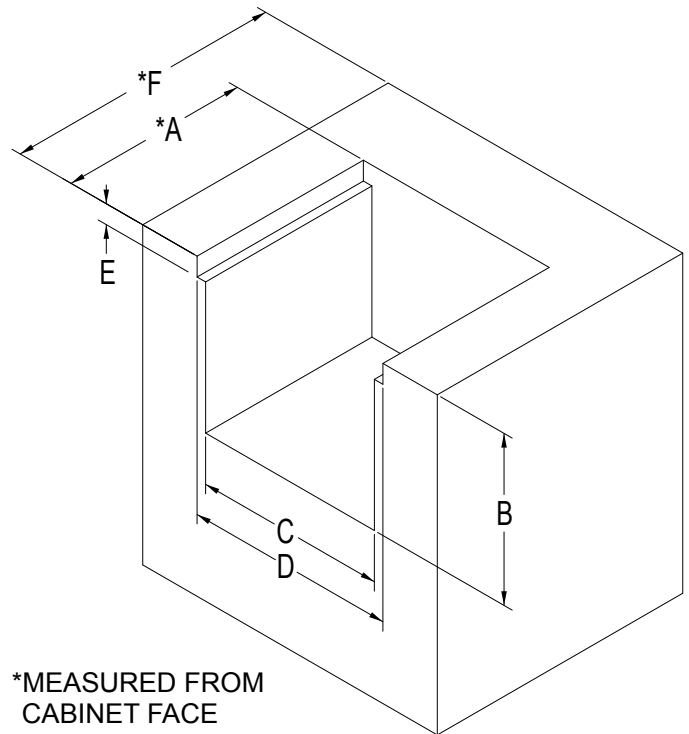


Figure 1

MODEL	DIMENSION					
	A	B	C	D	E	F
SRNA3S / SRSA3S	20 11/32"	18 7/32"	20 5/8"	22 23/32"	2 7/32"	22 7/8" MIN
SRNA3L / SRSA3L	20 11/32"	23 31/32"	20 5/8"	22 23/32"	2 7/32"	22 7/8" MIN
SCNA3 / SCSA3	20 11/32"	5 27/32"	20 5/8"	22 23/32"	2 7/32"	22 7/8" MIN

WARNING! Never use cover over cook top when any surface burners are in operation.