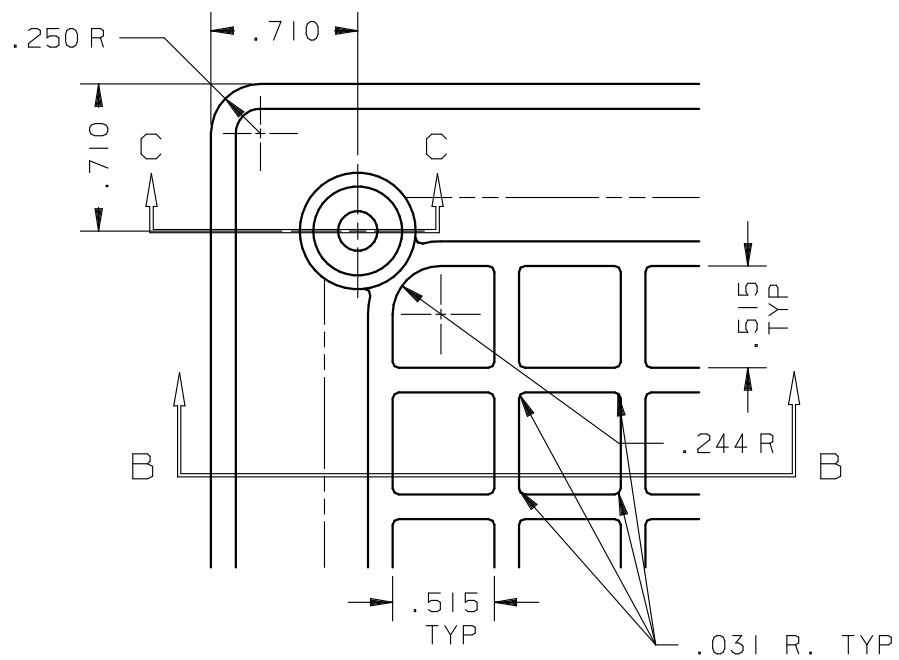
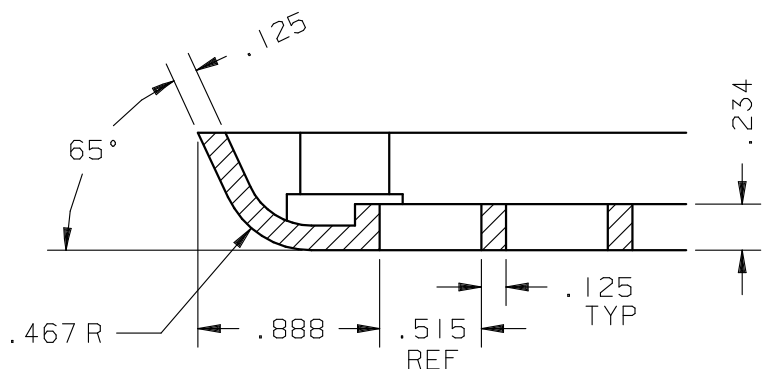


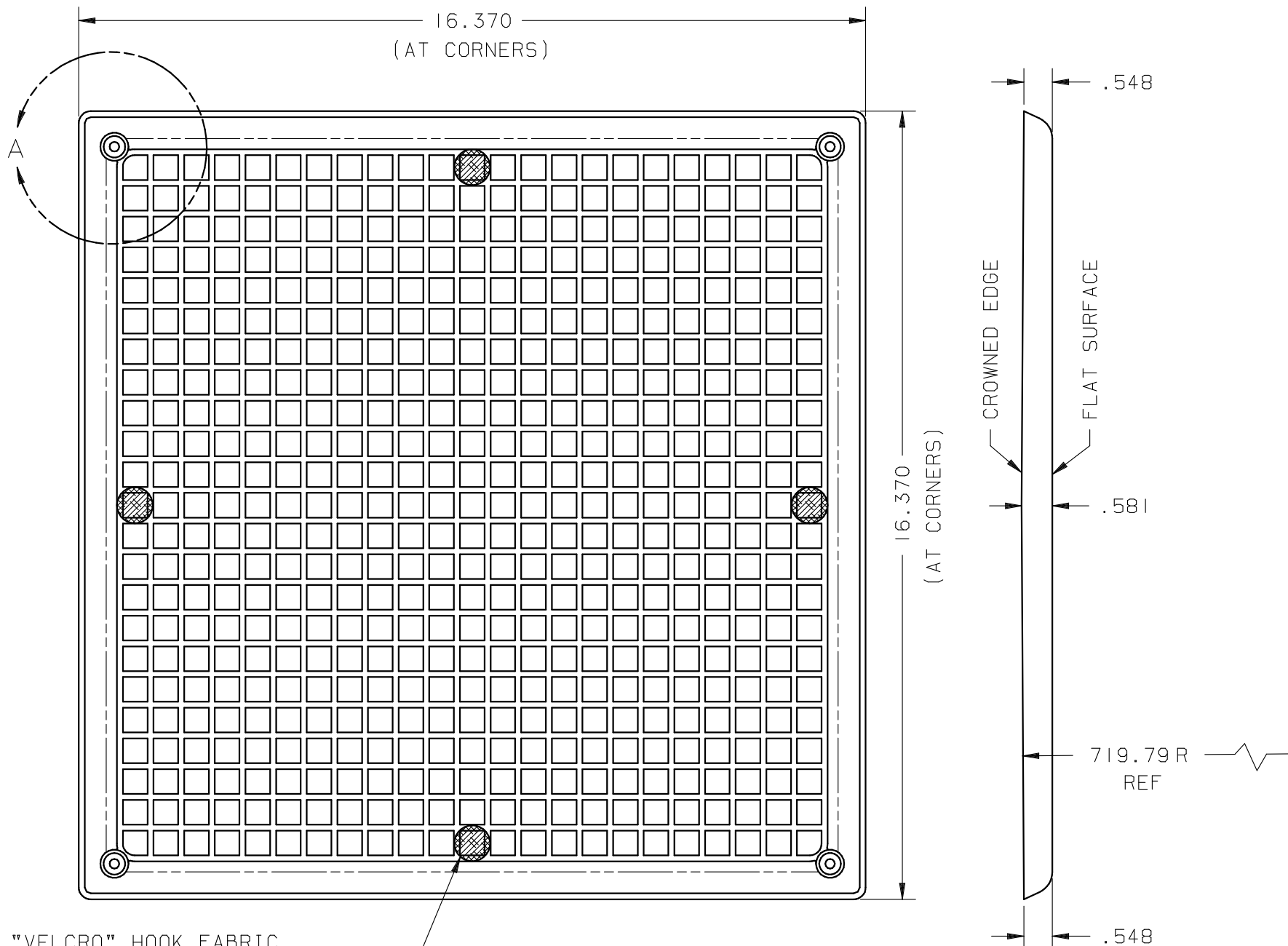
(1° DRAFT ON ALL VERTICAL SURFACES)
SECTION C-C



DETAIL -A-
(TYP. ALL 4 CORNERS)



(1° DRAFT ON ALL VERTICAL SURFACES)
SECTION B-B



VIEW IS TYP. FOR ALL 4 SIDES

BLACK "VELCRO" HOOK FABRIC ADHESIVE BACKED - APPROX. .75 DIA. AFFIXED 4 PLACES - PERMISSABLE TO PARTIALLY COVER OPENINGS.

NOTES:
VISUAL AREAS TO MEET CLASS II COSMETICS. Ⓢ
NON-VISUAL AREAS TO MEET CLASS IV COSMETICS.

VENDOR MUST ISSUE ANNUAL CERTIFICATION LETTER (OR UPON CHANGE OF MATERIAL) STATING RVP PART NO. AND MATERIAL MANUFACTURER & DESIGNATION.

FINISH: EDM MATTE
VENDOR: FERGUSON PRODUCTION Ⓢ

REVISIONS

LTR	DATE	BY	CHKD	REVISIONS
H	2-12-03	CS	CS	REMOVED HUNTSMAN 840 OR 880 FROM MATERIALS
J	8-25-04	AL	AL	ADDED COSMETICS CLASSIFICATION.
K	1-6-09	AL	AL	VENDOR WAS DENVER PLASTICS, ADDED INEOS MATERIAL
L	7-2-09	AL	AL	INEOS MATERIAL 5601 WAS 495F-KG21
M	7-14-09	AL	AL	"AMERICAS STYRENICS" WAS "DOW". REMOVED "NOVACOR 520".
N	3-12-12	AL	AL	ADDED TOTAL PETROCHEMICALS 825PI MATERIAL
P	3-30-15	AL	AL	STYROLUTION WAS INEOS

REF. DWG.	TOLERANCES DECIMAL	UNLESS OTHERWISE SPECIFIED DIMENSION CODE	NOTE CODE
	.x ± .1	A DIM. TO TANGENT POINT	F FLUSH WITHIN
	.xx ± .03	B DIM. TO INSIDE MOLD LINE	S SPOTWELD
	.xxx ± .005	C DIM. TO OUTSIDE MOLD LINE	
	ANGULAR ± 1°		BEND RADIUS -
	FRACTIONAL ±		SCALE PRINT

MATERIAL	FINISH SPEC.	NAME
AMERICAS STYRENICS STYRON 478 OR TOTAL PETROCHEMICALS 825PI OR STYROLUTION 5601 H.I.P.S.	COLOR: AVCOR 7876S WHITE	GRILLE

R. V. PRODUCTS DIVISION OF AIRXCEL INCORPORATED WICHITA, KANSAS			
SCALE NONE	DATE 5-29-91	DRAWN BY AL	APPROVED P.R.
			NO. 6798-304