

GENERAL INFORMATION — Lil' Stanker™ fans are designed to create a slight vacuum in your sewer system that helps in preventing odor infiltration into living areas. The fan is designed to be mounted at any point along the vent pipe's run between the holding tank and roof. Standard female pipe fittings for 1-1/2" I.D. vent pipe are used for fan attachment; other fitting sizes may be supplied via special order. The fittings are offset to a corner of the enclosure; this allows the fan to fit in tight mounting locations where the vent pipe is next to a wall. The fan can be mounted at any angle — even upside-down if necessary.

INSTALLATION INSTRUCTIONS

(Note: Please read through entirely before starting the installation)

STEP 1: PREPARATION — Determine the best mounting location for your fan, based upon:

- 1. Access to the vent pipe,
- 2. Access to a nearby AC power outlet, and
- 3. Best appearances, if located in a visible area.

For example, the fan might be installed inside the same compartment that houses the holding tank (if present), or inside a cabinet, closet, basement or attic. The fan is inaudible at any distance greater than several feet, so this is the minimum distance that it should be mounted from sleeping areas. Also, note that the fan requires a minimum of 1/2" clearance between the vent pipe and any nearby wall.

If desired, the fan can be tested before installation, by temporarily plugging it into an AC wall outlet.

1.

STEP 2: MOUNTING THE FAN —

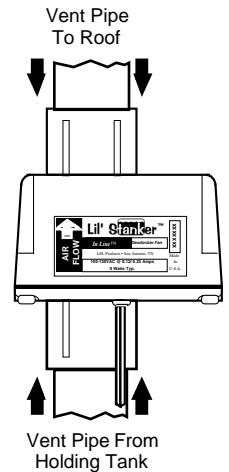
IMPORTANT: If not already present, install a roof-mounted vent pipe cap or screen mesh, to keep debris from falling down into the fan.

Next, identify the intended fan mounting location, and cut a 3-1/4" inch (83 MM) section out of the vent pipe at this point (use the Vent Pipe Cutting Gauge shown at right to measure the proper distance). Trim away any rough edges on the pipe, and if desired, apply either a dab of petroleum jelly or a layer of Teflon® tape all the way around around the end of each pipe, in order to provide an airtight seal with the fan. Next, slide the fan in place over the pipe ends. (**NOTE:** The fan should be installed so that the **AIR FLOW** arrow points towards the end of the vent pipe on the roof.)

CAUTION: Take care to avoid twisting the fan while inserting the vent pipe. Excessive force may break the fittings on the fan.

NOTE: Installing the fan with cement is not recommended, since doing so would hinder any future attempts to remove the fan for repairs or cleaning. A slip-in fit is sufficient to provide an air-tight connection.

2.


 Vent Pipe
Cutting Gauge

 3-1/4 INCHES
(83 MM)

3.

STEP 3: CONNECTING THE FAN — Plug the fan into a 110-120 VAC wall outlet. If the power cord will not reach the nearest AC outlet, an additional length of wire (18 to 24 gauge) may be spliced to it.

For installation in attics, AC power can often be obtained from an attic light fixture, using a bulb-to-AC-power-outlet converter. The converter should include a pull chain switch, so that the bulb can be turned off while still supplying power to the fan. Alternatively, most attic power fans have a spare AC outlet that may be used for this purpose.

OPERATION & MAINTENANCE

The fan may be operated continuously. Whenever any other vent fan is used in the living space, it should be set to draw air into the space, rather than pulling air outward; this precaution will help prevent odor seepage into living spaces. The fan motor contains no brushes or other short-lifespan parts, and requires no periodic lubrication. However, to maintain maximum airflow, the 2 debris screens (when present) should be cleaned every year or so. The fan motor is replaceable, and replacement motors are available from the factory.

WARRANTY

LSL Products warrants this product for a period of ONE YEAR from the date of purchase against defects in materials and workmanship. PLEASE SAVE YOUR RECEIPT AS PROOF OF WARRANTY COVERAGE. This warranty is transferable. In the event a problem, LSL Products will, at its option, repair or replace any defective components, at no charge to the owner. (The owner is responsible for the shipping charges associated with initial return of the product; LSL Products will pay the shipping charges for returning a repaired product back to the owner). IN THE EVENT OF A PROBLEM, PLEASE CONTACT US PRIOR TO RETURNING THE PRODUCT. This warranty does not cover damage due to unreasonable use of the product. IN NO EVENT SHALL LSL PRODUCTS NOR ANY OF ITS REPRESENTATIVES BE RESPONSIBLE FOR INCIDENTAL OR CONSEQUENTIAL DAMAGES. This warranty gives you specific legal rights, and you may have other rights which vary from state to state. For parts & service, contact **LSL Products, 5804 Babcock Rd. ##512, San Antonio, TX 78240 Phone 877-257-4655**

SPECIFICATIONS — MODEL 20C/D

Supply Voltage: 100-130VAC

Noise Level: 26 dB - A

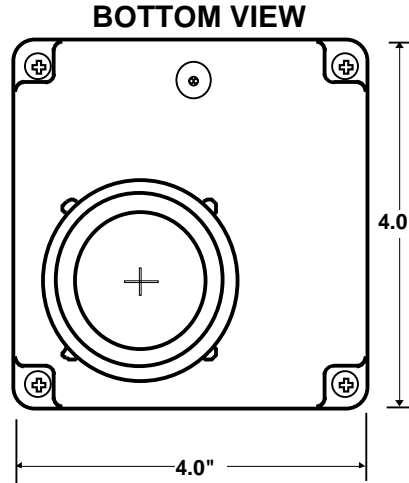
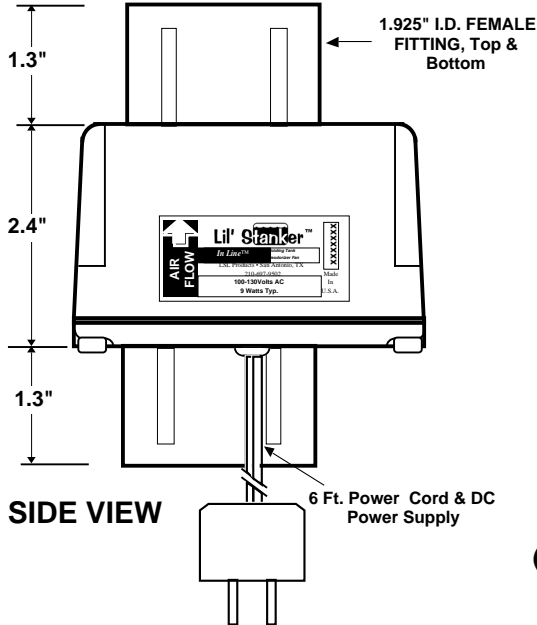
Power Consumption: 3.5 Watts Typ.

Weight: 26 oz.

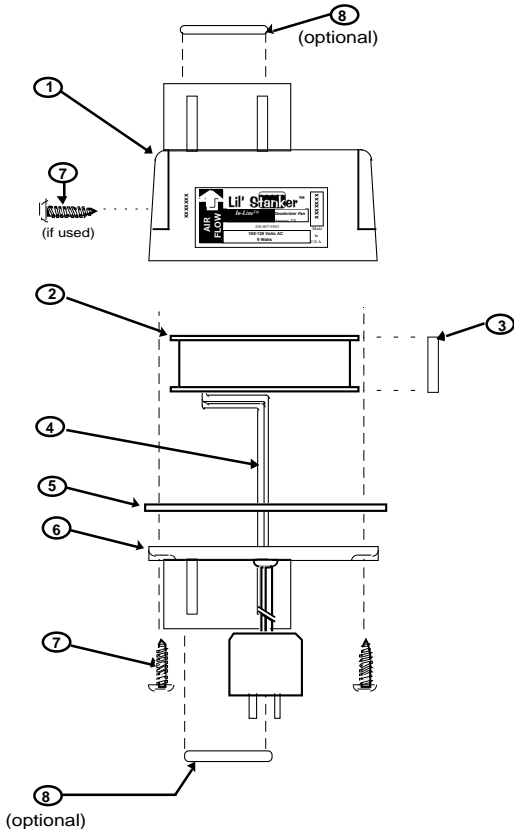
Air Flow: 42 CFM (Free-Air)

Motor Type: DC Brushless, Ball Bearing

Duty Cycle: Continuous



(NOTE: 1-1/2" Fittings Shown; Other Versions Similar)



Lil' Stanker In-Line DoubleSpeed™ Replacement Parts

QTY.	ITEM	DESCRIPTION	PRICE EA.	ITEM TOTAL
	1	Enclosure, 3/4" Pipe Fitting	22.50	
	1	Enclosure, 1" Pipe Fitting	22.50	
	1	Enclosure, 1-1/4" Pipe Fitting	22.50	
	1	Enclosure, 1-1/2" Pipe Fitting	22.50	
	1	Enclosure, 2" Pipe Fitting	22.50	
	2	Fan Assy., 12 VDC	14.95	
	3	Fan Gasket, Foam (2 Pc.)	.75	
	4	AC/DC Power Supply & Cord	14.00	
	5	Gasket, Bottom Cover	.75	
	6	Cover, Bottom, 3/4" Fitting	7.00	
	6	Cover, Bottom, 1" Fitting	7.00	
	6	Cover, Bottom, 1-1/4" Fitting	7.00	
	6	Cover, Bottom, 1-1/2" Fitting	7.00	
	6	Cover, Bottom, 2" Fitting	7.00	
	7	Screw, Cover or Motor Mount	.20	
	8	Screen, Debris (when present)	0.75	

LSL Products

5804 Babcock Rd. #512
San Antonio, TX 78240
(877) - 257-4655
www.LSLProducts.net



PARTS TOTAL:	
PRIORITY MAIL SHIPPING:	5.80
TOTAL ENCLOSED:	

NAME: _____

MAILING ADDRESS: _____

DAYTIME PHONE: _____

No Minimum Order • No "Handling" Charges • Most Orders Ship Within 24 Hours