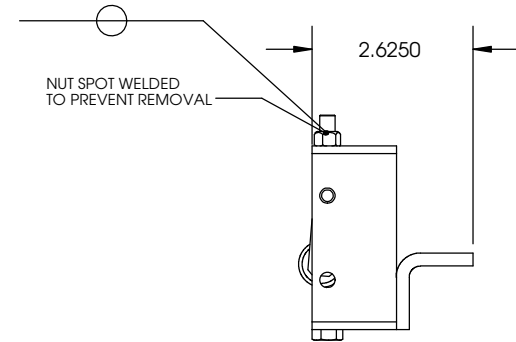
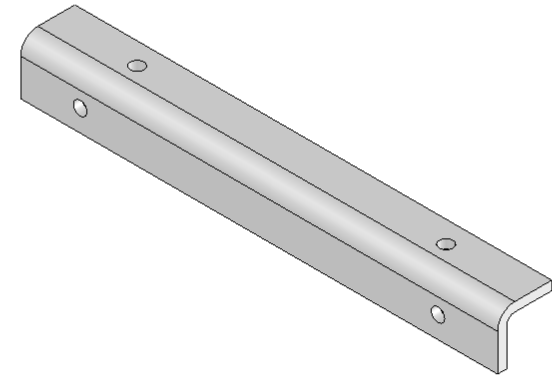
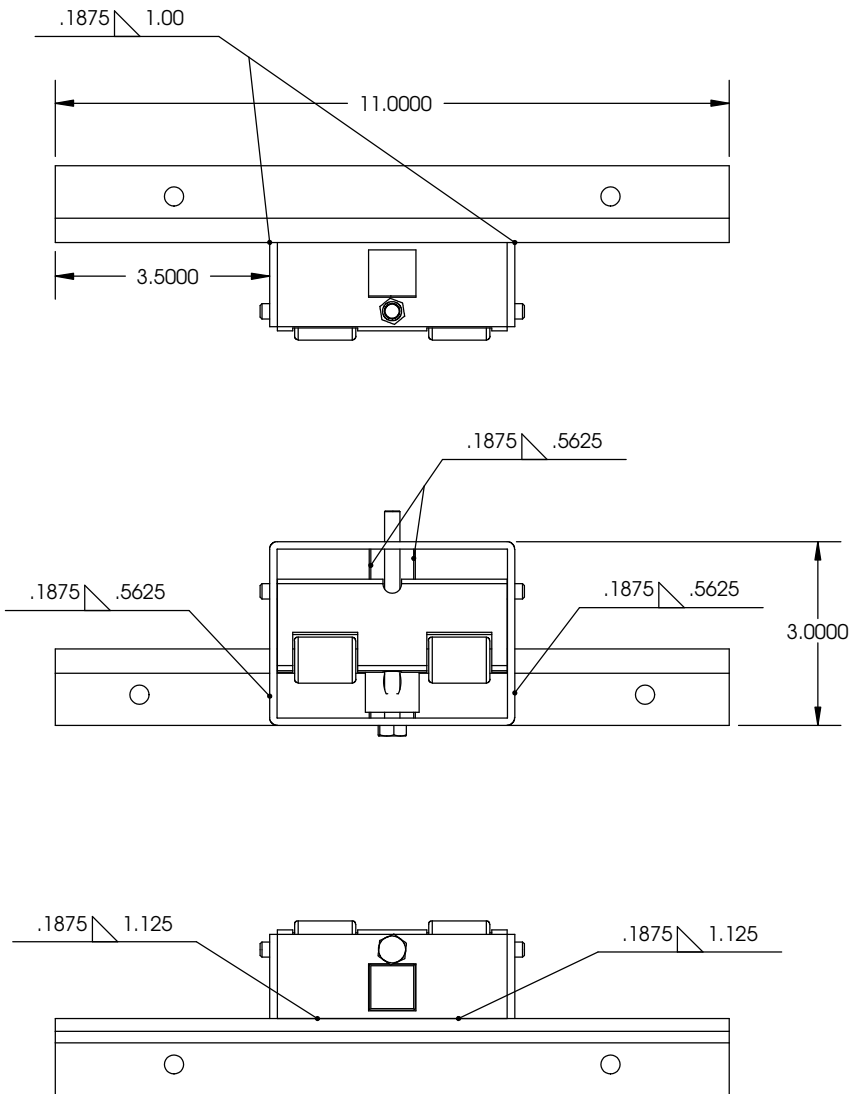


REVISIONS				
REV.	DATE	DESCRIPTION	DWR	APVD
B	5/6/2005	ADDED WELD SPECS	JWM	
C	8/16/2005	REMOVED PLATE AND ADDED TUBE	JSC	
D	3/3/2010	CHG ANG TO VIRTUAL COMPONENT, REMOVED BOM	JLC	
E	12/6/2010	CHANGED ASSY TO PART. UPDATED FORMAT	MJC	EGR



TITLE:		<b>J 12 ROLLER</b>				
UNLESS OTHERWISE SPECIFIED ALL DIMENSIONS ARE IN INCHES BREAK SHARP EDGES & DEBURR		TOLERANCES (EXCEPT AS NOTED)		LIPPERT COMPONENTS		
FILLETS R.015	FINISH 125	DECIMAL .X ±.1 .XX ±.03 .XXX ±.005		THE INFORMATION CONTAINED IN THIS DRAWING IS THE SOLE PROPERTY OF LIPPERT COMPONENTS, INC. ANY REPRODUCTION IN PART OR AS A WHOLE WITHOUT THE WRITTEN PERMISSION OF LIPPERT COMPONENTS, INC. IS PROHIBITED.		
THIRD ANGLE PROJECTION		FRACTIONAL ±1/16		DWG. NO. <b>115621</b>	SIZE <b>A</b>	DATE: <b>10/ 02/ 2006</b>
		ANGULAR ±1°		ENG. <b>JMM</b>	DWN. <b>JMM</b>	REV. <b>E</b>
		2703 COLLEGE AVE. GOSHEN, IN 46528	SCALE: <b>1:3</b>	SHEET <b>1</b>	OF <b>1</b>	