

# VORTEX INSECT TRAP

## CAUTION:

- **ALL BATTERIES MUST BE OF THE SAME BRAND AND TYPE. DO NOT MIX STANDARD ALKALINE OR RECHARGEABLE BATTERIES.**
- **DO NOT MIX OLD AND NEW BATTERIES. REMOVE EXHAUSTED BATTERIES.**
- **REMOVE BATTERIES WHEN THE ITEM IS NOT IN USE**
- **THIS ITEM IS NOT A TOY, KEEP AWAY FROM CHILDREN.**

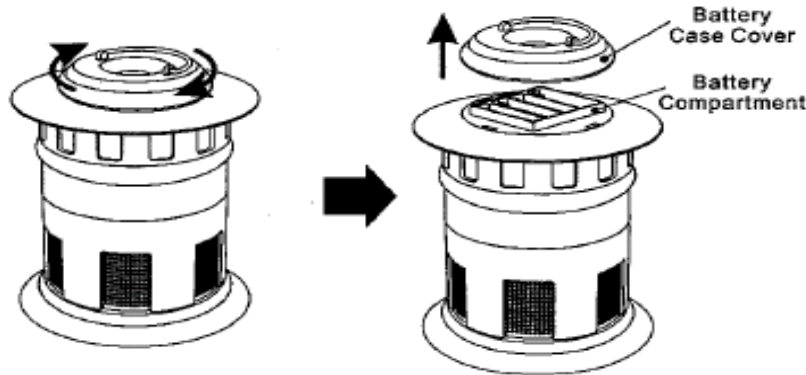
EFFECTIVELY REMOVES INSECTS FROM YOUR INDOOR OR OUTDOOR SURROUNDINGS.

## HOW THE ITEM WORKS:

- When the UV light hits the Titanium Dioxide (TiO<sub>2</sub>) surface of the inner funnel, Carbon Dioxide (CO<sub>2</sub>) is released. The CO<sub>2</sub> and the UV light attract the insects to the item.
- Once the insects are close to the trap the powerful fan draws them into the retaining cage where the insects dehydrate and die.

## BATTERY INSTALLATION:

- Remove the battery cover (located on top) by turning it clockwise as illustrated below.
- Insert 4 AA batteries and replace the battery cover. If using the item with an adapter (6V500MA) do **not** insert the batteries and plug the adapter into the adapter jack on the item (next to the ON/OFF button).



## USE INSTRUCTIONS:

- Simply hang or set the item on a flat even surface 5 to 6 feet above the ground and turn it ON. **DO NOT PLACE THE ITEM NEAR OTHER LIGHT SOURCES.**
- The item should be placed away from the area you are trying to keep insect free so the insect can be attracted away from your desired location.

## CLEANING INSTRUCTIONS:

- The retaining cage of the item needs to be emptied and cleaned out weekly. Make sure the item is OFF and remove the batteries before starting to clean.
- Remove the cover by turning the top part of the trap clockwise as illustrated below.
- Empty the trap and dispose of the bugs in the trash. With a damp cloth clean the bottom and side walls of the trap.
- The fan blades will need to be cleaned as well with a damp cloth. **USE CAUTION WHEN CLEANING THE FAN BLADES AS THEY ARE SHARP.**

