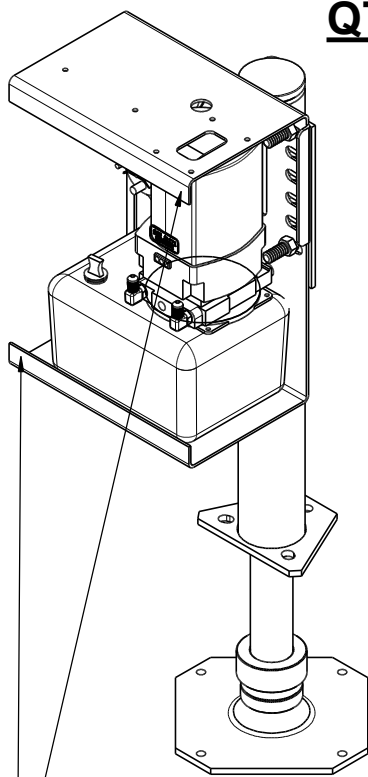
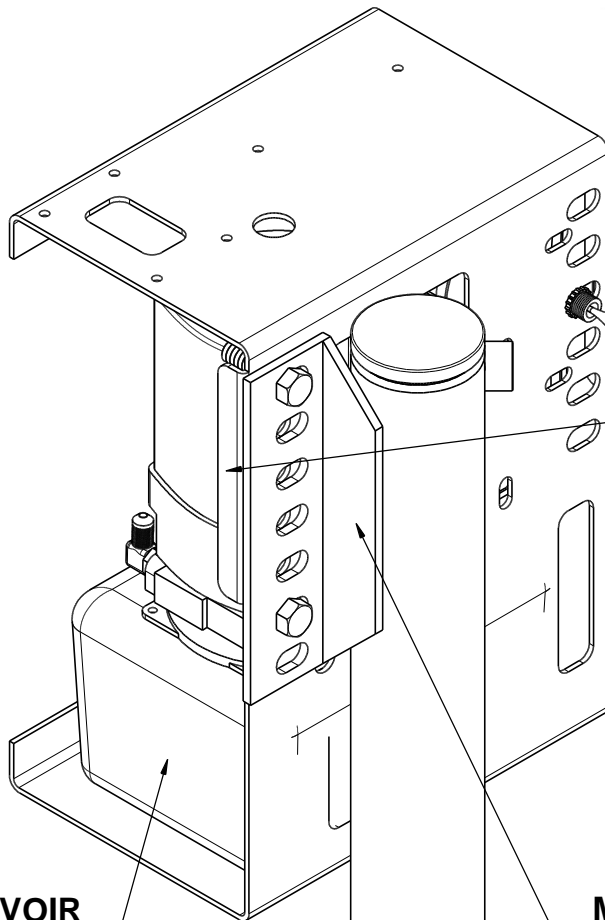


QT16 INSTALLATION DIAGRAM



ATTACH COVER WITH SCREWS HERE:

PLASTIC RESERVOIR
2 QUARTS ATF DEXRON III



TOGGLE SWITCH
PRE-WIRED

COVER SLIDES
IN TAB HERE

QUESTIONS?
QUADRA MFG.
1-800-752-9815

MOUNTING BRACKET
TWO 7/16" BOLTS/NUTS

3/8" HARDWARE TO
MOUNT TO TONGUE

RETRACT HOSE
TO RIGHT PORT
ON TANK

POWER HOOKUP:
- ATTACH EYELETS TO 5' BATTERY CABLE
- PLACE ONE END ON
POSITIVE TERMINAL ON BATTERY.
- PLACE OTHER END TO LOWER
SOLENOID POST (WITH COPPER STRIP).

PLASTIC COLLAR
TO SLIDE INSIDE
BOTTOM OF TONGUE
TO STABILIZE JACK

FOOTPAD
ATTACHES
WITH 3/4"
JAM NUT

RETAINING RING
FOR COLLAR

**IF YOU WOULD LIKE TO MOUNT
THE TANK ELSEWHERE, CALL US
AND ORDER CUSTOM LENGTH HOSES!**

**MOST OF THE JACK
IS PRE-ASSEMBLED
DIRECTLY FROM BIGFOOT!**

