

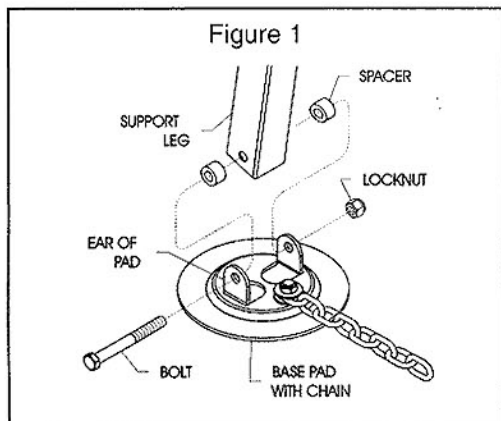


MODEL 25015

KING PIN STABILIZING JACK

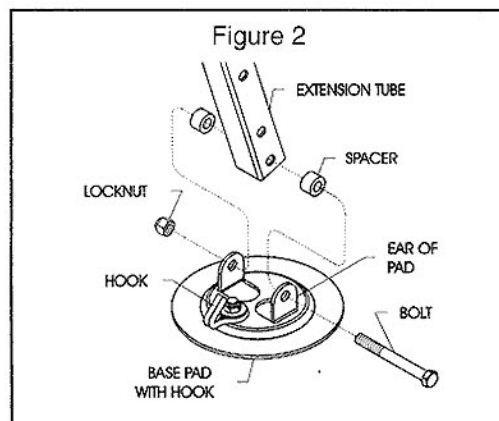
FOR USE ON FIFTH WHEEL TRAVEL TRAILERS

ASSEMBLY AND OPERATING INSTRUCTIONS



SUPPORT LEG ASSEMBLY

1. The base pad assembled with chain fits on the bottom of the support leg and the chain should be positioned inbound as shown in figure 1.
2. Position support leg between the ears of the base pad. Insert spacers between the support leg and base pad ears. Align the holes in the spacers, base pad ears, and support tube and secure with the bolt and locknut provided.



JACK LEG ASSEMBLY

1. The base pad assembled with the hook fits on the bottom of the extension tube which telescopes inside the jack leg. The hook of the base pad should be positioned inbound as shown in figure 2.
2. Position the extension tube between the ears of the base pad. Insert spacers between the extension tube and base pad ears. Align the holes in the spacers, base pad ears, and extension tube and secure with the bolt and locknut provided.

PARTS LIST

INDEX NO.	PART NO.	DESCRIPTION	QTY
1	P852002	OUTER TUBE ASSEMBLY - Adjustment Side	1
2	P852028	TUBE/NUT ASSEMBLY	1
3	P852018	SCREW ASSEMBLY	1
4	P852001	SUPPORT LEG	1
5	P852004	EXTENSION TUBE	1
6	P852031	BASE PAD	2
7	R852011	CHAIN HOOK	1
8	P852006	JACK FLANGE	2
9	P852026	HANDLE	2
10	R852009	NYLON SPACER WASHER	2
11	502109	WASHER, 7/16 USS ZINC	1
12	R852010	NYLON WASHER	1
13	502103	NYLON WASHER	4
14	7034	NYLON SPACER WASHER	2
15	501128	HEX HEAD BOLT, 3/8-16 x 3 1/4, GR. 2	2
16	BAL1012	HEX HEAD BOLT, 3/8-16 x 2 1/2, GR. 2	2
17	R852017	HEX HEAD BOLT, 1/4-20 x 1 3/4, GR. 2	1
18	BAL1014	NYLOK NUT, 3/8-16 ZINC	4
19	R852016	NYLOK NUT, 1/4-20 ZINC	1
20	R858015	GROOVED PIN, 3/16 x 3/4, TYPE A	2
21	R852034	3/8 SHORT PLUG	2
22	R852013	DETENT PIN	1
23	R852012	CHAIN, 8 FT.	1
24	502113	HEX HEAD BOLT, 3/8-16 x 3/4	2
25	501089	WASHER, 3/8 USS ZINC	3
26	R852032	JAM NUT, 3/8-16 ZINC	2
27	R852030	SPACER, 3/4 x .385 x .203 THK	1

