



# TIP SHEET

## Kwikee Step Identification Guide

© Copyright Power Gear Issued: March 2012

#82-ST0501, Rev. 0A

### NOTE

#### How to read the part number code:

(This only pertains to units built after February 1999)

SAMPLE: 90XX0Y000

XX= 2 Digit Series #

Y= Time frame

If this 6<sup>th</sup> digit is a "6 thru 8", then that indicates it was built between early 1999, and late 2005 to early 2006. If this is a "9", then it indicates it is built after late 2005, and has the Integrated Motor Gear Linkage (IMGL) style motor, gearbox and control. The IMGL control has a "triangular" shape at the end of the housing for mounting that can also assist in identification (see photo below).



If you can't find or read the label on the bottom of the step, then go to:

[www.powergearus.com/identify-parts](http://www.powergearus.com/identify-parts)

Use the single, double, or triple step ID charts to compare measurements to what is mounted on the unit.

1217 E. 7<sup>th</sup> St.  
Mishawaka, IN 46544  
[www.powergearus.com](http://www.powergearus.com)

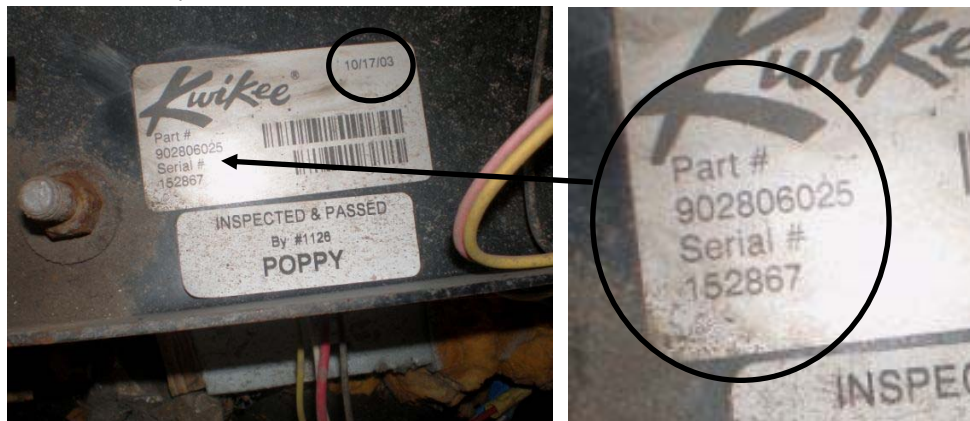


This sheet is to assist in identifying the Kwikee step model # and part #, for steps built after February 1999 to present.

#### Instructions

To identify the step part #, look for the Kwikee label under the step on the mounting surface that attaches to the coach. Look for the part # of the step. You may have to have the step extended to see the label. Below are a couple examples of different labels used on the steps.

#### EXAMPLE 1:



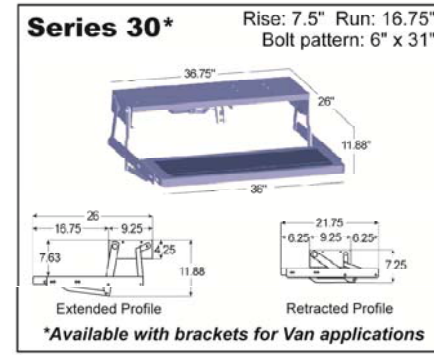
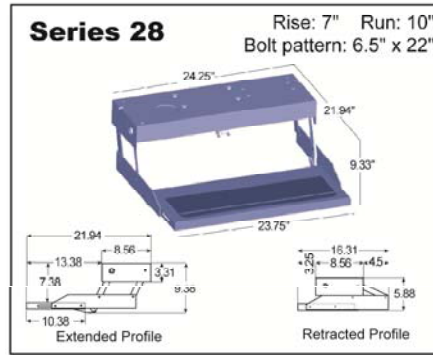
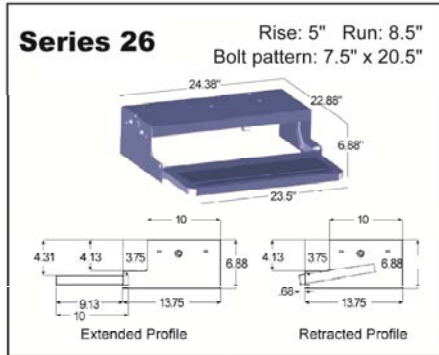
This label shows the part #902806025. The 3<sup>rd</sup> and 4<sup>th</sup> digits of the part number indicate this is a 28 series step. The 6<sup>th</sup> digit indicates this step was built between 1999 and 2005. We can confirm this time frame by the build date of October, 17, 2003, shown in the upper right corner of the label.

#### EXAMPLE 2:

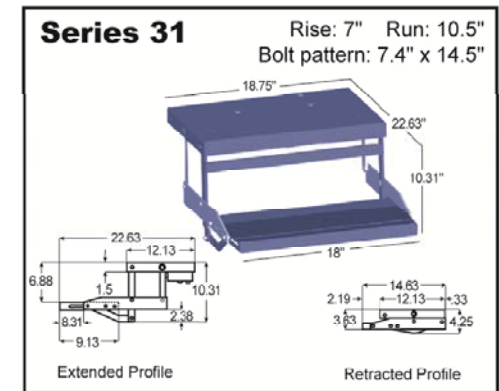


This label shows the part #903209025. The 3<sup>rd</sup> and 4<sup>th</sup> digits of the part number indicate this is a 32 series step. It also shows the "32 Series Step" (circled) on the label under the Kwikee name. The 6<sup>th</sup> digit indicates this step was built after late 2005 and equipped with the IMGL parts. We can confirm this time frame by the build date of 1/11/12 printed on the side of the label (see enlarged picture).

# Kwikkee Single Series Steps



Step Series	Part Number	Contains Step Control?	Tread Size	Switch Kit	Rise	Run
26 Series	902600906	No	23.5"	905316000	5"	8.5"
26 Series	902609025	Yes	23.5"	905325000	5"	8.5"
28 Series	902800906	No	23.75"	905316000	7"	10"
28 Series	902809025	Yes	23.75"	905325000	7"	10"
30 Series	903000900	No	36"	None	7.5"	16.75"
30 Series	903009000	Yes	36"	None	7.5"	16.75"
31 Series	903100906	No	18"	905316000	7"	10.5"
31 Series	903109025	Yes	18"	905325000	7"	10.5"



**\*\*All Steps listed come with appropriate motor. If you require a replacement motor or motor/control upgrade kit, see Step Motor & IMGL Linkage Application Chart.**

Continued on Next Page....

**Series 33\*** Rise: 8" Run: 16.75"  
Bolt pattern: 6" x 23.5"

*\*Available with brackets for Van applications*

**Series 35** Rise: 5" Run: 10.75"  
Bolt pattern: 8" x 22"

**Series 36** Rise: 5" Run: 10.75"  
Bolt pattern: 8" x 26"

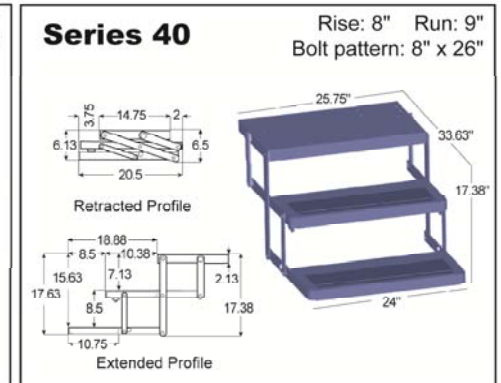
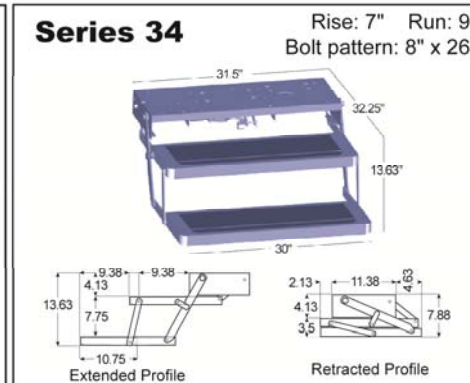
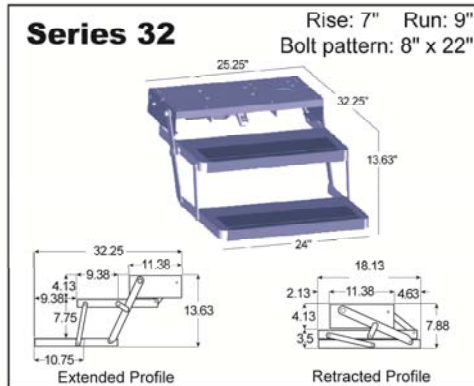
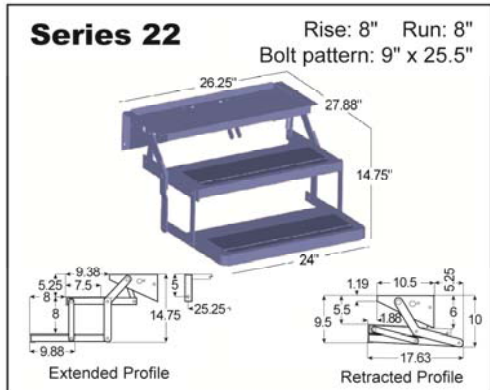
**Series 38** Rise: 4" Run: 10.75"  
Bolt pattern: 8" x 22"

**Series 39** Rise: 7" Run: 10"  
Bolt pattern: 7.5" x 20.5"

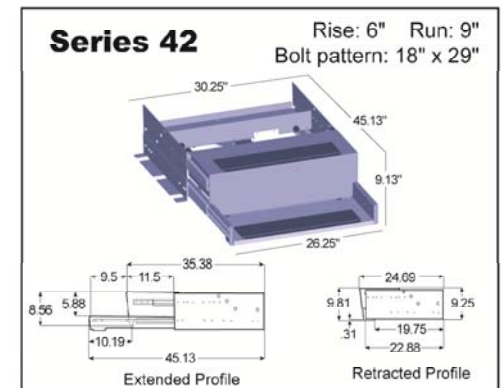
Step Series	Part Number	Contains Step Control?	Tread Size	Switch Kit	Rise	Run
33 Series	903300906	No	28.13"	905316000	8"	16.75"
33 Series	903309025	Yes	28.13"	905325000	8"	16.75"
35 Series	903500906	No	24"	905316000	5"	10.75"
35 Series	903509025	Yes	24"	905325000	5"	10.75"
36 Series	903600906	No	30"	905316000	5"	10.75"
36 Series	903609025	Yes	30"	905325000	5"	10.75"
38 Series	903800906	No	24"	905316000	4"	10.75"
38 series	903809025	Yes	24"	905325000	4"	10.75"
39 Series	903900906	No	23.75"	905316000	7"	10"
39 Series	903909025	Yes	23.75"	905325000	7"	10"

**\*\*All Steps listed come with appropriate motor. If you require a replacement motor or motor/control upgrade kit, see Step Motor & IMGL Linkage Application Chart.**

# Kwikkee Double Series Steps

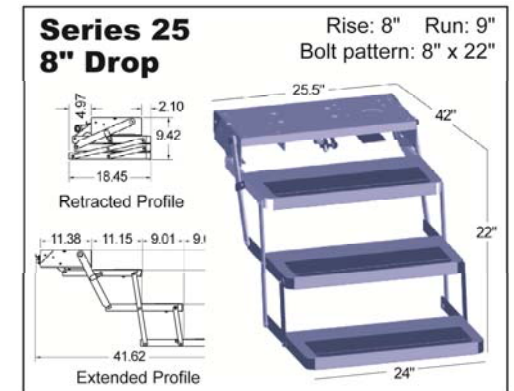
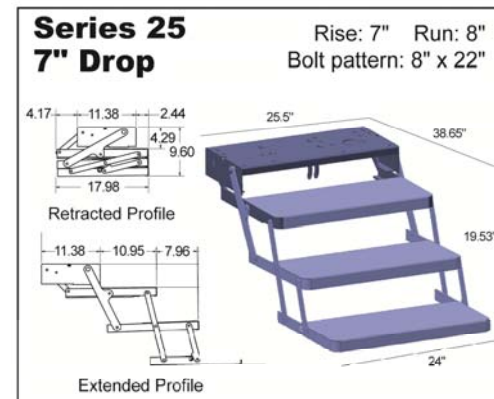
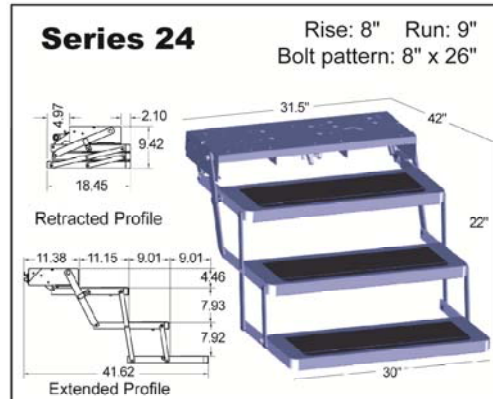
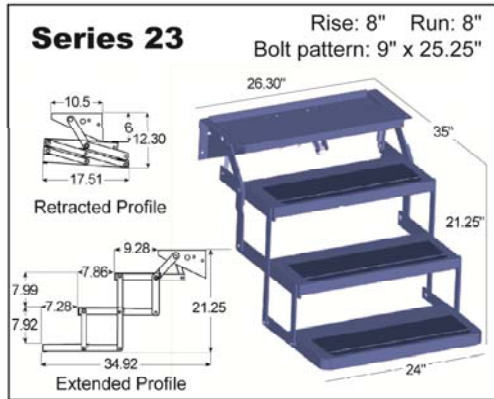


Step Series	Part Number	Contains Step Control?	Tread Size	Switch Kit	Rise	Run
22 Series	902200906	No	24"	905316000	8"	8"
22 Series	902209025	Yes	24"	905325000	8"	8"
32 Series	903200906	No	24"	905316000	7"	9"
32 Series	903209025	Yes	24"	905325000	7"	9"
34 Series	903400906	No	24"	905316000	7"	9"
34 Series	903409025	Yes	24"	905325000	7"	9"
40 Series	904000906	No	24"	905316000	8"	10"
40 Series	904009025	Yes	24"	905325000	8"	10"
42 Series	904209000	Yes	26.25"	n/a	6"	9"



**\*\*All Steps listed come with appropriate motor. If you require a replacement motor or motor/control upgrade kit, see Step Motor & IMGL Linkage Application Chart.**

# Kwikkee Triple Series Steps



Step Series	Part Number	Contains Step Control?	Tread Size	Note	Rise	Run
23 Series	902300906	No	24"	Includes Switch 905316000	8"	8"
23 Series	902309025	Yes	24"	Includes Switch 905325000	8"	8"
24 Series	902409000	Yes	30"	No Switches	8"	9"
25 Series	902509000	Yes	24"	8" Drop; No Switches	8"	9"
25 Series	902509007	Yes	24"	7" Drop; No Switches	7"	8"

**\*\*All Steps listed come with appropriate motor. If you require a replacement motor or motor/control upgrade kit, see Step Motor & IMGL Linkage Application Chart.**

