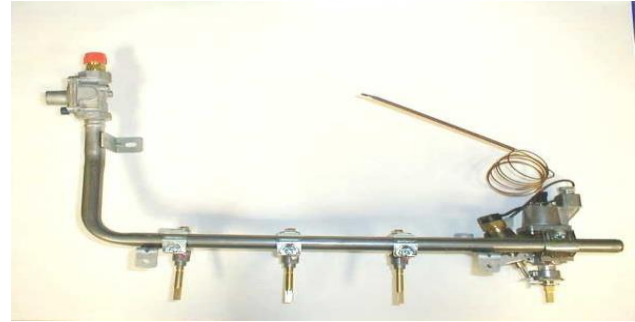
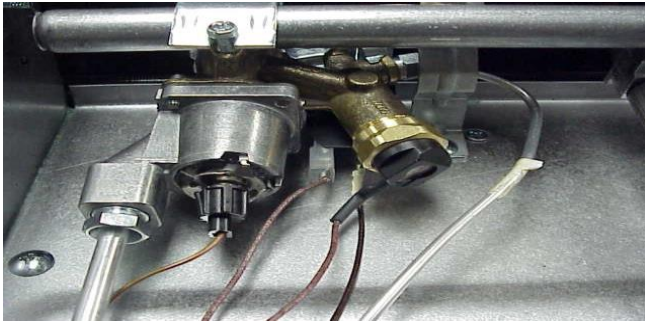


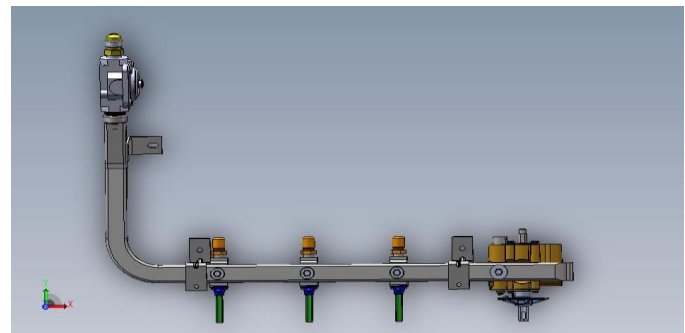
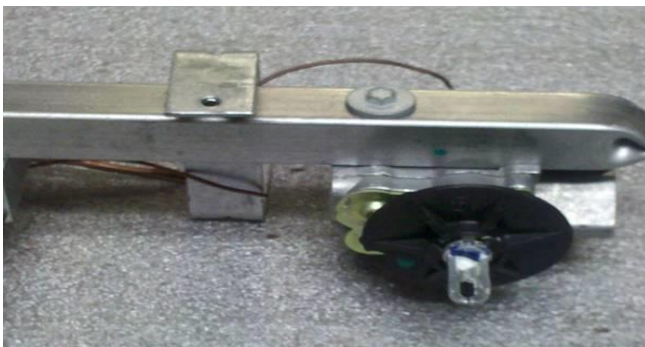
Manifold Identification

Sabaf (Round) Manifold with plug-in thermocouple



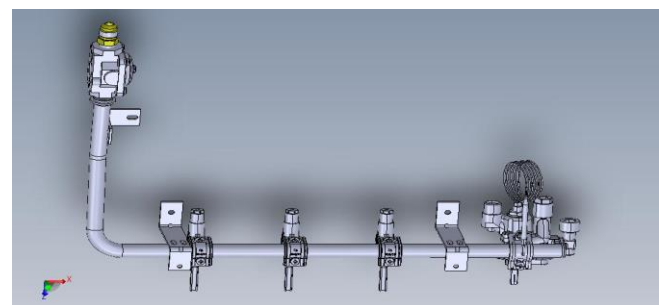
- Original mercury free system (Ranges with an A in the model number). Used exclusively in all Suburban mercury free ranges from 2004 through 2006.
- Used concurrently with the square manifold system (BSI) from late 2006 through early 2009.
- Since early 2009 the Sabaf manifold has been exclusively in sealed burner & glass top models ranges.
- Individual components available separately

BSI (Square) Manifold



- First used in late 2006
- Used concurrently along with Sabaf manifolds (round) on all conventional burner model ranges from late 2006 through mid 2009
- Used exclusively on all conventional burner model ranges (N in the model number) from mid 2009 through mid 2011
- Used concurrently with Copreci manifold (round manifold with screw in style thermocouple) on all conventional burner model ranges from mid 2011 to present date
- All components only available as an assembly

Copreci Manifold (Round) Manifold With screw in thermocouple



- First used in mid 2011 prototype runs of 947 units on models 2863A & 2862A only
- Initial release in January 2012
- Used concurrently with BSI on all conventional burner model ranges from January 2012 to present
- All components only available as an assembly