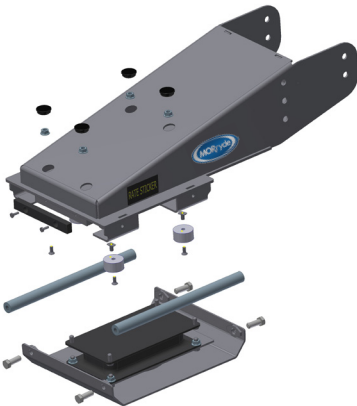




Above. Beyond. Always.

Rubber Pin Box Owner's Manual



Your guide to the parts, preventative maintenance, basic troubleshooting and warranty information for your new MORryde Rubber Pin Box.

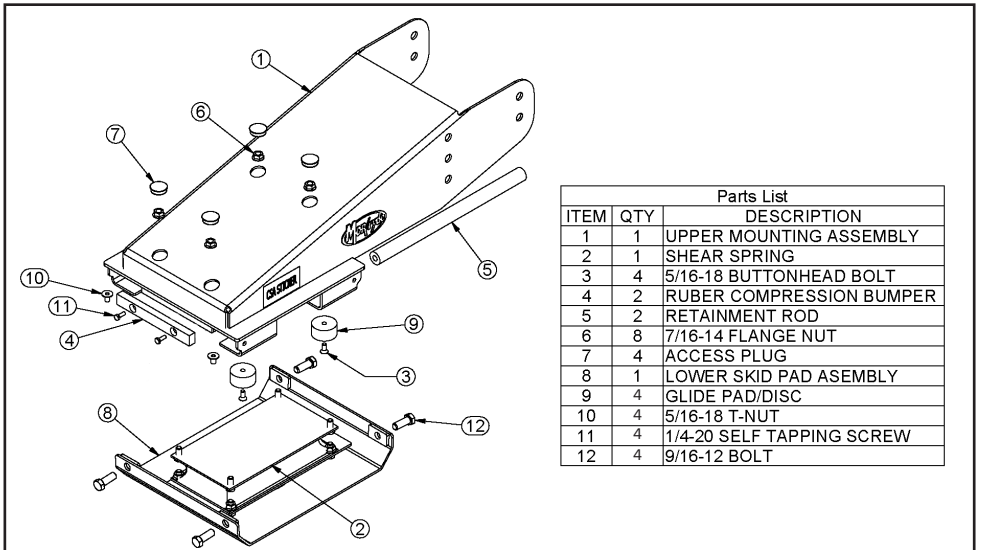
Congratulations on your purchase of the MORryde Pin Box System. This revolutionary new system redefines the experience of towing a fifth wheel. No longer will you have to live with the harsh, jerky back-and-forth motion associated with towing your fifth wheel. You can also forget about excessive wear and tear on your Truck and RV and the added strain that this puts on drivers and passengers. Your new Pin Box System provides:

- Greatly Reduced Back-And-Forth Chucking and Jerking
- Cushioned Sensation Over Uneven Road Conditions
- Jerk-Free Starts and Stops
- Smoother, More Comfortable In-Cab Ride

Each MORryde Pin Box System has been carefully engineered to match the existing pin box that it replaces. Our system is fully adjustable in most cases and maintains the king pin location established by the original trailer manufacturer. By maintaining the static king pin location, stress and strain subjected to the trailer frame structure is consistent with the original king pin location.

This manual will outline basic troubleshooting and preventative maintenance procedures associated with this system. Service Manuals and instructions are provided with replacement parts in the unlikely event that service is required.

Pin Box System - Exploded View



ITEM		QTY	DESCRIPTION
1	1	UPPER MOUNTING ASSEMBLY	
2	1	SHEAR SPRING	
3	4	5/16-18 BUTTONHEAD BOLT	
4	2	RUBER COMPRESSION BUMPER	
5	2	RETAINMENT ROD	
6	8	7/16-14 FLANGE NUT	
7	4	ACCESS PLUG	
8	1	LOWER SKID PAD ASEMBLY	
9	4	GLIDE PAD/DISC	
10	4	5/16-18 T-NUT	
11	4	1/4-20 SELF TAPPING SCREW	
12	4	9/16-12 BOLT	

Preventative Maintenance Inspections

- Inspect King Pin for excessive wear (annually)
- Inspect the skid pad to insure a neutral (centered) position. When the trailer is disconnected from the tow vehicle, an equal gap of approximately 1- 1/4” should be observed between the lip of the skid pad and the rubber compression bumpers. It is normal to slightly move and twist the skid pad assembly with hand force.
- Inspect the retainment rods for excessive wear. The retainment rods may show surface scratch marks as an indication of occasional contact but the scratches, if present, should be minimal.
- Inspect the plastic glide pads for excessive wear. The glide pad thickness should be no less than 3/4”.
- Periodically check the torque values of all hardware. Torque specifications have been provided on the back cover of this manual.

Basic Troubleshooting

Problem	Remedy
Trailer not level.	Adjust pin box or hitch accordingly.
Excessive bottoming of skid pad assembly. Jerky ride in tow vehicle.	Inspect to ensure that the rubber compression bumpers are in place. Check trailer brakes for proper operation. If above is satisfactory it may be necessary to install a shear spring with a different spring rate. Contact MORryde Customer Service for assistance. MORryde Customer Service will require your actual trailer weight to assist.
Skid pad assembly does not return to neutral position when disconnected from tow vehicle.	Check for loose or torn rubber shear spring.
Excessive noise from Pin Box Area.	Verify that the Pin Box is securely attached to the fifth wheel. If the king pin is excessively worn the skid pad will need to be replaced. Hitch mechanisms can also cause noise. Verify that unwanted noise is not coming from the hitch. Your hitch manufacturer can provide guidelines for this check.

*If a problem occurs that is not addressed here, please contact MORryde International direct for further service information at 574-293-1581.

MORryde Pin Box System

LIMITED WARRANTY

Summary of Warranty

We, MORryde International, Inc. 1966 Sterling Avenue, P.O. Box 579, Elkhart, IN 46515 (“MORryde”) warrant to you, the original first purchaser of the new Pin Box System (“Product”), for a period of three years from the date of original first purchase, that the product is free of defects in material or workmanship under normal use and service and will meet or exceed all of our advertised , excepting items and uses excluded from this Warranty. For a copy of the complete MORryde Pin Box System Warranty please call, write, or email us using the correspondence information listed below.

Torque Specifications

Where Used	Bolt (Gr. 5)	Torque Value
Attaches upper mounting column to skid pad	7/16-14	40 ft. lbs.
Retainment Rods	9/16-12	90 ft. lbs.
Attaches upper mounting column to wing assembly. Uses 1/2”, 5/8”, or 3/4” attaching bolt depending upon Pin Box System	1/2-13	65 ft. lbs.
	5/8-11	135 ft. lbs.
	3/4-10	220 ft. lbs.

Your MORryde Pin Box System is compatible with:

- Pull-Rite® (requires adapter plate from MORryde, call for information)
- Lube Disc

Your MORryde Pin Box System **is not** compatible with:

- Gooseneck extension couplers.

Please direct all correspondences to:

MORryde International, Inc.

1966 Sterling Ave.

PO Box 579

Elkhart, IN 46515

Phone (574) 293-1581

Email: service@morryde.com

www.MORryde.com