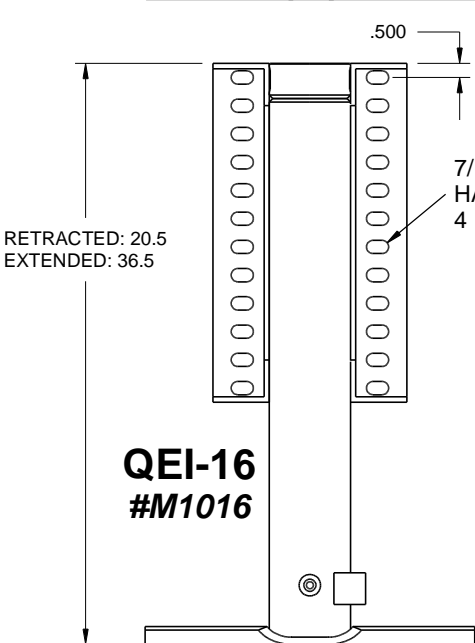
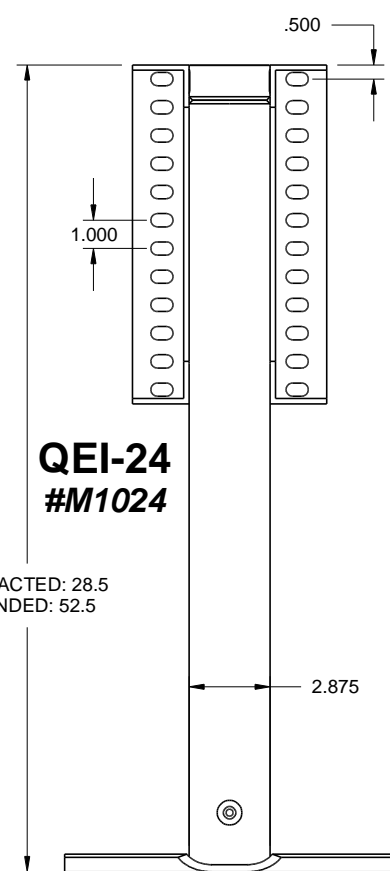
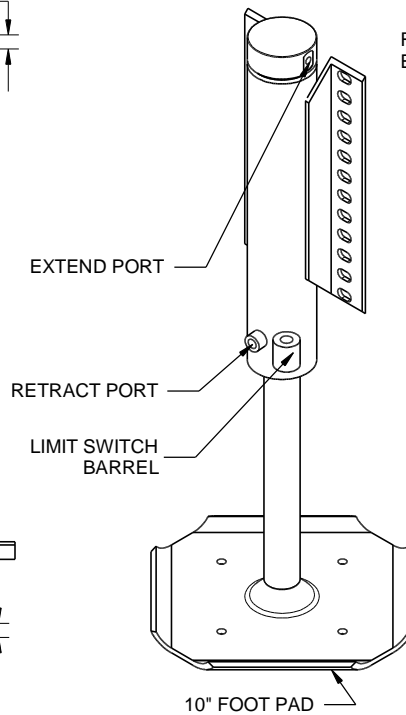
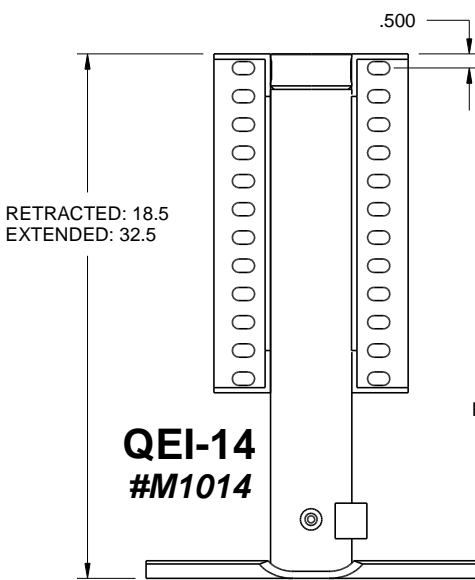
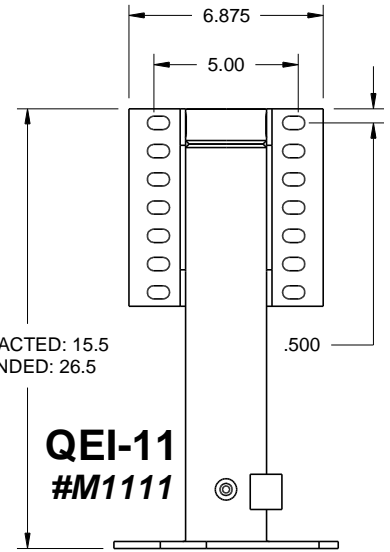
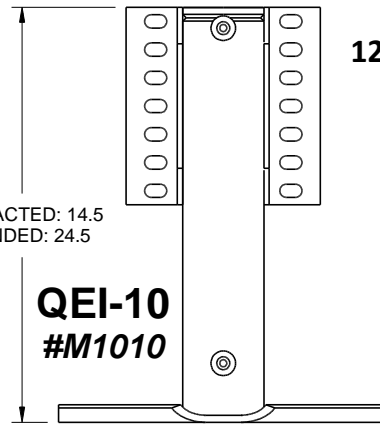
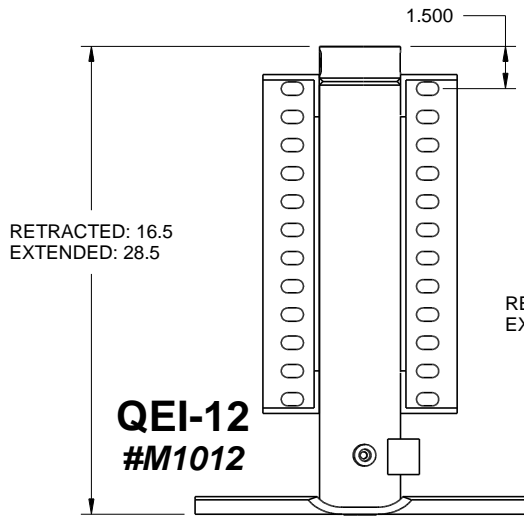
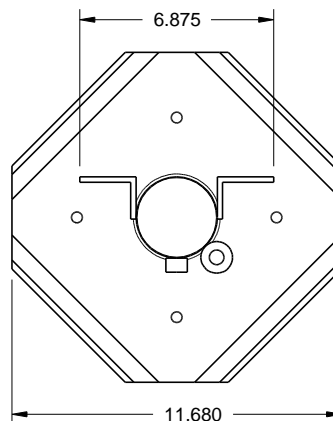


QE1 SERIES

2.5" BORE / 1.5" RAM
12,275 LB LIFT CAPACITY @2,500 PSI



7/16 GRADE-8
HARDWARE
4 PER CYL.



QUADRA
MANUFACTURING