



Automatic Multi-Satellite TV Antenna

# Replacement Sheathed Cables Instruction Manual

Models RP-SK41, RP-SK42, RP-SK45,  
RP-SK47, and RP-SK49

For help, email [help@winegard.com](mailto:help@winegard.com)  
or call 1-800-788-4417

[www.winegard.com/mobile](http://www.winegard.com/mobile)



2452298

2452298  
Rev2 10-19

## Raising the Antenna

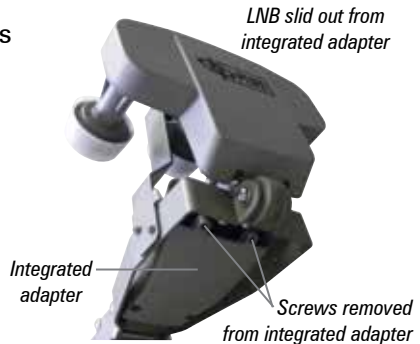
1. Press and hold "POWER" for two seconds to turn on the interface box. Wait until the interface box finishes "connecting to antenna." The TRAV'LER® antenna may enter the search routine after ten seconds.

**Pay attention to the pinch points as the antenna raises!**

2. Wait until the antenna has at least raised to a position in which the feed arm is parallel to the roof. Then, press "POWER" and "SELECT" at the same time. The antenna should stop moving.
3. Unplug the interface box. Continue with instructions for your model of replacement sheathed cables.

## Model RP-SK41 DISH® Pro Plus 1000 & Bell TV Replacement Cables

1. Remove and set aside the two screws from the wider end of the underside of the integrated adapter.
2. Carefully slide the LNB out from the integrated adapter. Disconnect the three cables from the LNB using a  $\frac{7}{16}$ " wrench.
3. Using a  $\frac{7}{16}$ " wrench, disconnect the three cables from the coax ports on the top of the turret.
4. Using a  $\frac{5}{16}$ " wrench, remove the screw holding the p-clamp to the lift arm, and detach the p-clamp from the lift arm. Set the screw and p-clamp aside; you will need these later.
5. Once disconnected, remove the sheathed cables.
6. Run the replacement sheathed cables through the feed arm.
7. Connect the three cables closest to the the integrated adapter to ports 1–3 (in any order) on the LNB. Tighten each cable until fingertight, and then use a  $\frac{7}{16}$ " wrench to tighten a quarter turn more.
8. Slide the LNB into the integrated adapter, and re-install the two screws (removed earlier) through the integrated adapter and LNB.



9. Connect the other ends of the sheathed cables to coax ports A–C on the top of the turret. Tighten each cable until fingertight, and then use a  $\frac{7}{16}$ " wrench to tighten a quarter turn more.
10. Place the p-clamp on the sheathed cables, and make sure the hole in the p-clamp is positioned above the cables. The p-clamp must be installed 14" from the ends of the sheathed cables. This point on the cable may already be marked by a zip tie, mark, or tape.
11. Align the hole in the p-clamp with the hole in the lift arm. Install the screw through the p-clamp and lift arm, and tighten.



## Model RP-SK42 DISH 1000 Hybrid Replacement Cables

1. Remove and set aside the two screws from the wider end of the underside of the integrated adapter.
2. Carefully slide the LNB out from the integrated adapter. Disconnect the three cables from the LNB using a  $\frac{7}{16}$ " wrench.
3. Using a  $\frac{7}{16}$ " wrench, disconnect the three cables from the coax ports on the top of the turret.

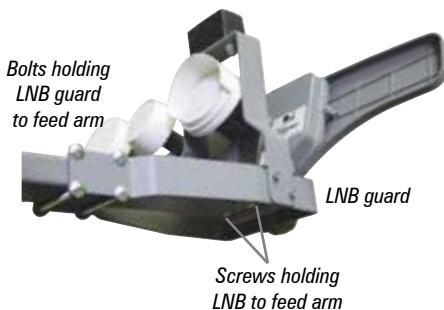


4. Using a  $\frac{5}{16}$ " wrench, remove the screw holding the p-clamp to the lift arm, and detach the p-clamp from the lift arm. Set the screw and p-clamp aside; you will need these later.
5. Once disconnected, remove the sheathed cables.
6. Run the replacement sheathed cables through the feed arm.

7. Using the supplied dual coax cable, connect the ends with red heat shrink wrap to Port 1 on LNB and the black coax cables to Port 2 on LNB. Tighten each cable until fingertight, and then use a 7/16" wrench to tighten a quarter turn more.
8. Slide the LNB into the integrated adapter, and re-install the two screws (removed earlier) through the integrated adapter and LNB.
9. Connect the red heat shrink wrapped coax to Port C on the TRAV'LER turret and the black coax cable to Port A on the TRAV'LER turret. Tighten each cable until fingertight, and then use a 7/16" wrench to tighten a quarter turn more.
10. Place the p-clamp on the sheathed cables, and make sure the hole in the p-clamp is positioned above the cables. The p-clamp must be installed 14 inches from the ends of the sheathed cables. This point on the cable may already be marked by a zip tie, mark, or tape.
11. Align the hole in the p-clamp with the hole in the lift arm. Install the screw through the p-clamp and lift arm, and tighten.

## Model RP-SK45 DIRECTV® Slimline Repl. Cables

1. Remove and set aside the four nuts and bolts holding the LNB guard to the feed arm. Then, slide the LNB guard down the feed arm and toward the reflector.
2. Remove and set aside the two screws holding the LNB to the feed arm.
3. Carefully slide the LNB out from the feed arm. Disconnect the four coax cables from the LNB using a 7/16" wrench.
4. Using a 7/16" wrench, disconnect the four cables from the coax ports on the top of the turret.
5. Using a 5/16" wrench, remove the screw holding the p-clamp to the lift arm, and detach the p-clamp from the lift arm. Set the screw and p-clamp aside; you will need these later.
6. Once disconnected, remove the sheathed cables.



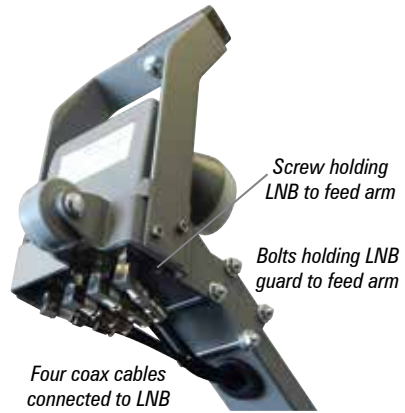
7. Run the replacement sheathed cables through the feed arm.
8. Connect the four coax cables running through the feed arm to the LNB. The coax cables can be connected in any order. Tighten the cables until fingertight, and then use a  $7/16$ " wrench to tighten a quarter turn more.
9. Slide the LNB into the feed arm, and re-install the two screws (removed earlier) through the underside of the feed arm and LNB. Tighten.
10. Slide the LNB guard up the feed arm and over the LNB. The front of the LNB guard should be  $\sim 1/2$ " in front of the LNB and should not be touching the LNB.
11. Install the four bolts through the four holes in the LNB guard. Thread a nut onto each bolt, and tighten.
12. Connect the other ends of the sheathed cables to coax ports A–D on the top of the turret. Tighten each cable until fingertight, and then use a  $7/16$ " wrench to tighten a quarter turn more.
13. Place the p-clamp on the sheathed cables, and make sure the hole in the p-clamp is positioned above the cables. The p-clamp must be 14 inches from the ends of the sheathed cables. This point on the cable may already be marked by a zip tie, mark, or tape.
14. Align the hole in the p-clamp with the hole in the lift arm. Install the screw through the p-clamp and lift arm, and tighten.



*P-clamp installed 14" from ends of sheathed cables, next to zip tie on sheathed cables*

# Model RP-SK47 Shaw Direct Replacement Cables

1. Remove and set aside the four nuts and bolts holding the LNB guard to the feed arm. Then, remove the LNB guard from the feed arm.
2. Remove and set aside the screw holding the LNB to the feed arm.
3. Disconnect the four coax cables from the LNB using a  $\frac{7}{16}$ " wrench, and carefully remove the LNB from the feed arm.



4. Using a  $\frac{7}{16}$ " wrench, disconnect the four cables from the coax ports on the top of the turret.
5. Using a  $\frac{5}{16}$ " wrench, remove the screw holding the p-clamp to the lift arm, and detach the p-clamp from the lift arm. Set the screw and p-clamp aside; you will need these later.
6. Once disconnected, remove the sheathed cables.
7. Run the replacement sheathed cables through the feed arm.
8. Connect the four cables running through the feed arm to the four ports on the LNB. The cables can be connected in any order. Tighten each cable until fingertight, and then use a  $\frac{7}{16}$ " wrench to tighten a quarter turn more.
9. Slide the LNB into the feed arm, and re-install the screw (removed earlier) through the underside of the feed arm and LNB. Tighten.
10. Slide the LNB guard onto the feed arm and over the LNB. The front of the LNB guard should be  $\sim\frac{1}{2}$ " in front of the LNB.
11. Install the four bolts through the four holes in the LNB guard. Thread a nut onto each bolt, and tighten.
12. Connect the other ends of the sheathed cables to coax ports A–D on the top of the turret. Tighten each cable until fingertight, and then use a  $\frac{7}{16}$ " wrench to tighten a quarter turn more.

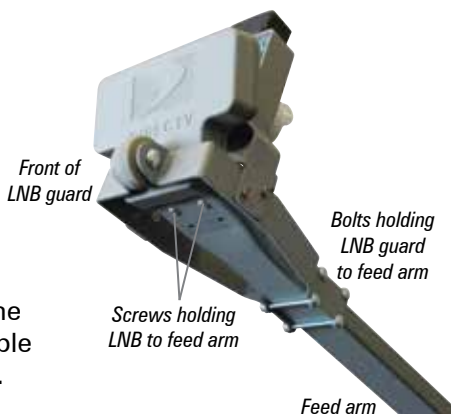
13. Place the p-clamp on the sheathed cables, and make sure the hole in the p-clamp is positioned above the cables. The p-clamp must be 15 inches from the ends of the sheathed cables. This point on the cable may already be marked by a zip tie, mark, or tape.

14. Align the hole in the p-clamp with the hole in the lift arm. Install the screw through the p-clamp and lift arm, and tighten.



## Model RP-SK49 DIRECTV SWM Slimline Repl. Cable

1. Remove and set aside the four nuts and bolts holding the LNB guard to the feed arm. Then, slide the LNB guard down the feed arm and toward the reflector.
2. Remove and set aside the two screws holding the LNB to the feed arm.
3. Carefully slide the LNB out from the feed arm. Disconnect the coax cable from the LNB using a  $\frac{7}{16}$ " wrench.
4. Using a  $\frac{7}{16}$ " wrench, disconnect the cable from port C on the top of the turret.
5. Using a  $\frac{5}{16}$ " wrench, remove the screw holding the p-clamp to the lift arm, and detach the p-clamp from the lift arm. Set the screw and p-clamp aside; you will need these later.
6. Once disconnected, remove the sheathed cable.
7. Run the replacement sheathed cable through the feed arm.
8. Connect the coax cable running through the feed arm to the LNB. Tighten the cable until fingertight, and then use a  $\frac{7}{16}$ " wrench to tighten a quarter turn more.



9. Slide the LNB into the feed arm, and re-install the two screws (removed earlier) through the underside of the feed arm and LNB. Tighten.
10. Slide the LNB guard up the feed arm and over the LNB. The front of the LNB guard should be  $\sim\frac{1}{2}$ " in front of the LNB and should not be touching the LNB.
11. Install the four bolts through the four holes in the LNB guard. Thread a nut onto each bolt, and tighten.
12. Connect the other ends of the sheathed cables to coax port C on the top of the turret. Tighten the cable until fingertight, and then use a  $\frac{7}{16}$ " wrench to tighten a quarter turn more.
13. Place the p-clamp on the sheathed cable, and make sure the hole in the p-clamp is positioned above the cable. The p-clamp must be 14 inches from the ends of the sheathed cable. This point on the cable may already be marked by a zip tie, mark, or tape.
14. Align the hole in the p-clamp with the hole in the lift arm. Install the screw through the p-clamp and lift arm, and tighten.



## Stowing the Antenna

1. Plug in the interface box.
2. Press and hold "POWER" for two seconds to turn on the interface box. Then, press the Power button again to stow the antenna.

**Disclaimer:** Although every effort has been made to ensure that the information in this manual is correct and complete, no company shall be held liable for any errors or omissions in this manual. Information provided in this manual was accurate at time of printing.

Winegard and TRAV'LER are registered trademarks of Winegard Company.  
 DIRECTV is a registered trademark of DIRECTV, LLC. DISH is a registered trademark of DISH Network L.L.C.  
 Shaw Direct is a trademark of Shaw Satellite G.P.