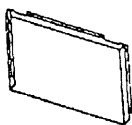
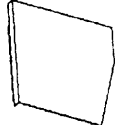
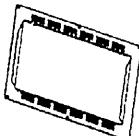




CONTOURE™

SPACE SAVER APPLIANCES

INSTALLATION INSTRUCTIONS

Model No.:RVTRIM-8S

Accessories		
		
DUCT BOTTOM	DUCT UPPER	TRIM SASH A

	
SCREW	SCREW

NO.	PART NAME	Q'TY
1	DUCT BOTTOM	1
2	DUCT UPPER	1
3	TRIM SASH A	1
4	SCREW A	4
5	SCREW B	6

The dimension of the cabinet should be as belows (FIG.1).

Width : 22.44"(570mm) TOLERANCE $\pm 1/8"$.

Height : 15.14"(384.4mm) TOLERANCE $\pm 1/12"$.

Depth : at least 19 25" (488mm)

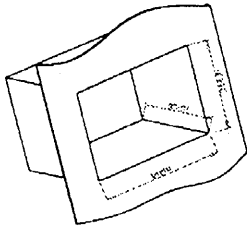


FIG.1

Step 2. TRIM SASH INSTALLATION

Fix assembled TRIM SASH to the Oven as shown in FIG.2.

Use SCREW A to fasten the TRIM SASH ASSEMBLY at points indicated in FIG.2.

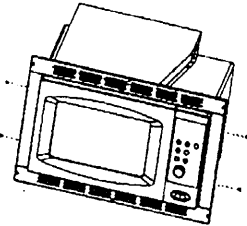


FIG.2

Step 3. MICROWAVE OVEN INSTALLATION

Slide Microwave Oven into the cabinet.

Secure the Oven to the cabinet with SCREW B at points indicated in FIG.3.

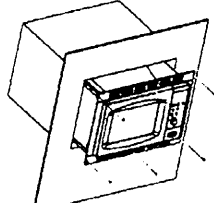


FIG.3