

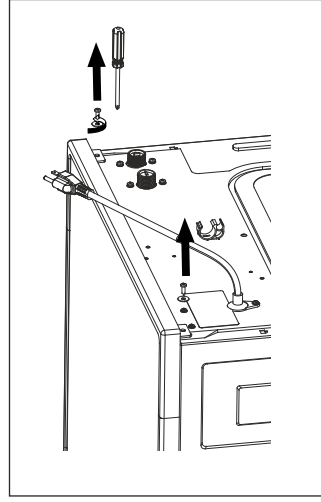
# Rear Stacking Kit

(For Stacking Dryers on Washers) Part# RSK 3060

# Installation Instructions

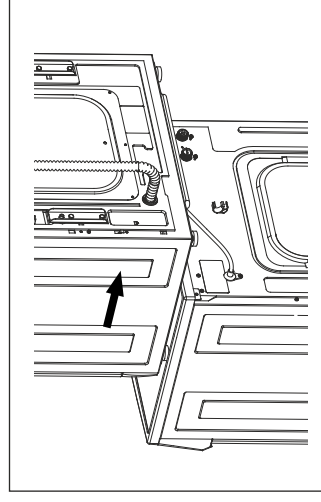
(Enclosed: 1 Bracket)

1



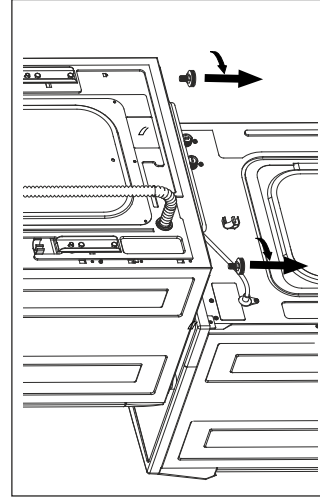
Using a Philips Screwdriver remove the two screws that hold the top of the washer in place. The screws are located at the rear of the machine.

2



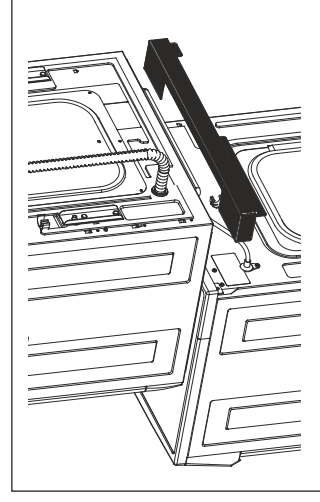
Stack the dryer on the washer. Pull the dryer out towards the back so the two rear feet are hanging out.

3



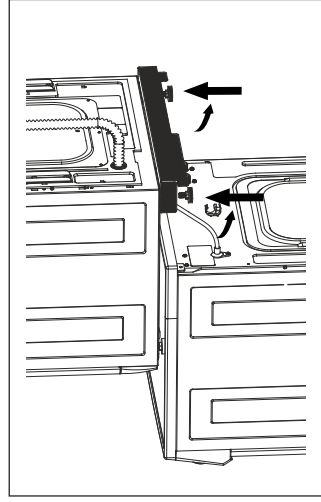
Unscrew the rear feet from the dryer

4



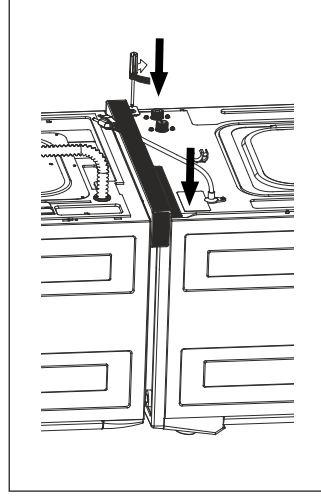
Align two holes on the top of the bracket with the holes for the feet of the dryer.

5



Screw the rear feet back into the machine with the bracket between the feet and the machine.

6



Push the Dryer forward until the holes at the rear of the bracket are aligned with the holes at the back of top panel

- Insert the 2 screws that were removed in Point no. 1 (Middle screw at the back and 2 side screws can be used as required)
- If the holes do not align properly you may need to level the Dryer feet.

## TOOLS NEEDED



Philips screwdriver



## WARNING

Before working on any appliance, be sure that the power ON/OFF button is in the OFF position and that the electrical cord is unplugged.



**Appliance Desk**  
10216 Georgibelle Drive, Suite 900D, Houston, TX 77043-5249  
Tel: 800-490-8018 • [www.ApplianceDesk.com](http://www.ApplianceDesk.com) • [Parts@ApplianceDesk.com](mailto:Parts@ApplianceDesk.com)