



INSTALLATION INSTRUCTIONS FOR GLASS COVERS MODEL SDN2

WARNING! Improper installation, adjustment, alteration, service or maintenance can cause property damage, personal injury or loss of life. Refer to the installation instructions and/or owners manual provided with your appliance. The removal and re-installation of the appliance as well as the installation of component parts must be made by a qualified installer, service agency or the gas supplier.

WARNING! Installation of this appliance must be made in accordance with the written instructions provided in the manual. No agent, representative or employee of Suburban or other person has the authority to change, modify or waive any provision of the instructions contained in the manual or this instruction sheet.

1. Ensure that you have the minimum counter top opening available per chart below. If you do not have this much counter space available, this accessory will not fit. Do not proceed any further.

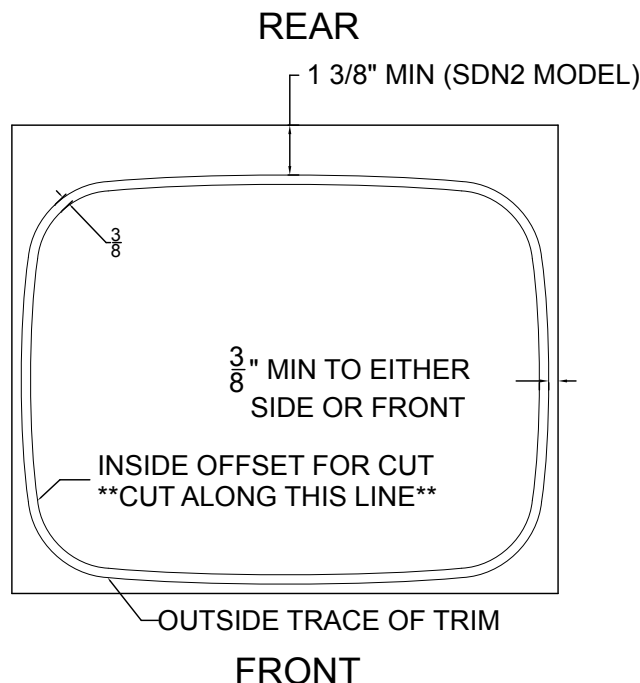
Model	Minimum Counter top Availability Dimensions	
	Width	Depth
SDN2	21 ¹⁵ / ₁₆ "	18 ⁹ / ₁₆ "

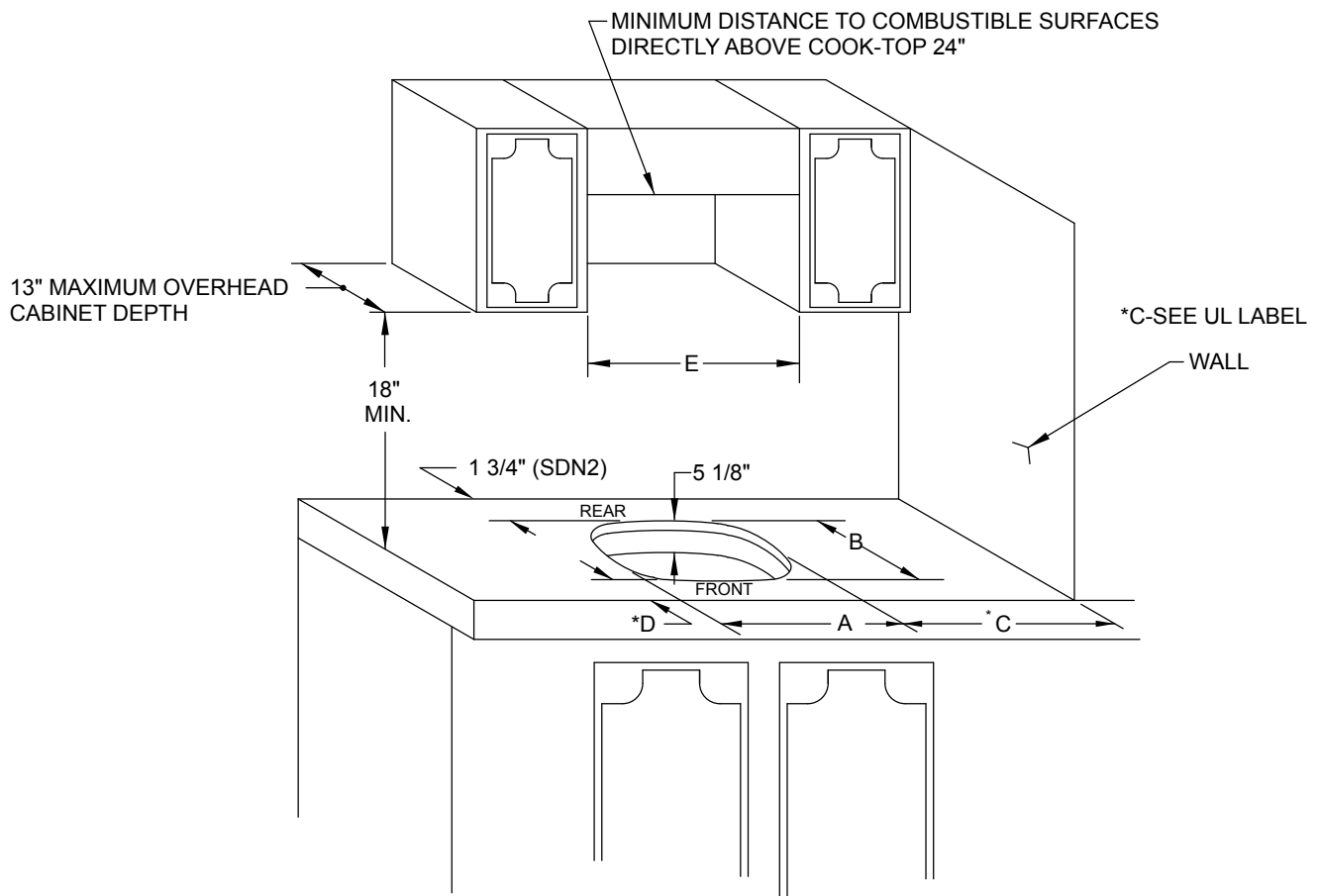
2. Make sure that you have at least 5 ¹/₈ inches of depth below the counter top that is open. This installation will recess the burner box into the cabinet.

3. Place the trim piece upside down on the counter top. Be sure to maintain the following minimum dimensions illustrated below. Trace the outline of the trim piece on the counter. Offset another line ³/₈" to the inside of the tracing. This new line will be for the counter top cut. Be sure to trace lines that can later be cleaned off the counter.

4. Be sure to maintain the following minimum dimensions illustrated below for the cut-out tracing.

Model	Dimensions				
	A	B	C	D	E
SDN2	From Trace Offset	From Trace Offset	³ / ₄ " Min.	³ / ₄ " Min.	18"



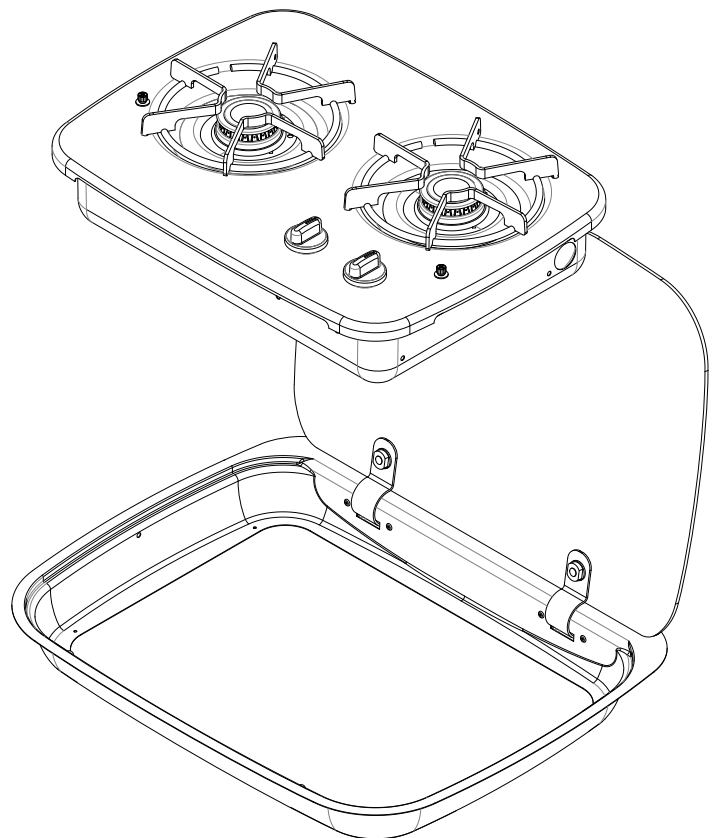


5. Cut the counter top along the inner line.
6. Place trim piece into the cutout. Ensure the arrow is pointing to the front of the counter top. Secure to the cabinet with three (3) screws provided.
7. Install drop-in cook top per manufacturer's instructions. Drop-in will now mount to trim piece.

8. The glass cover is not to be in place while the burners are on.

WARNING! Never use cover over drop-in cook top when any burners are in operation.

WARNING! Make sure that the knobs are positioned closest to the front of the cabinet so that the user is NOT required to reach over a burner in order to reach a knob.



SDN2 Model