

SPRING WIND GUIDE

TITLE	SECTION PAGE
OMEGA	2
HOW TO CHANGE A SPRING ON AN OMEGA:	2
ADDING TENSION ON AN OMEGA:	2
OMEGAII	3
HOW TO CHANGE A SPRING ON AN OMEGA II:	3
ADDING TENSION ON AN OMEGA II:.....	3
WINDOW AWNING, OTD & TRUCKIN' AWN	4
HOW TO CHANGE A SPRING ON A WINDOW, OTD AWNING OR TRUCKIN' AWN:	4
ADDING TENSION ON A WINDOW OR OTD AWNING:.....	4
SUNSHADE	4
SOKII	5
HOW TO CHANGE A SPRING ON A SOK II:	5
ADDING TENSION TO THE SOK II:	5
SUMMIT/SOKIII	6
SLIDEOUT COVER	6
ASCENT	6
PATIO AWNING	7
SPIRIT, FIESTA, SIMPLICITY & FULLTIMER	7
FIESTA LITE	7

NOTE: CAREFREE DOES NOT PAY WARRANTY LABOR CHARGES FOR ADDING SPRING TENSION.

SPRING WIND GUIDE

OMEGA

Right Spring, part number R00590

	Winds-Closed	Winds-Open	Direction of Winds
ALL SIZES	17	Add 1 wind per foot of extension	Counterclockwise

HOW TO CHANGE A SPRING ON AN OMEGA:

- With the slide open, facing the coach, **using extreme caution**, remove the bolt in the lower right arm. This will allow you to remove the arm from the mounting bracket on the face of the slide. *Helpful hint:* Put a piece of tape across the bottom of the arm to keep the arm plug in place.
- If there is tension on the spring, unwind the tension using the arm as leverage. You will need to pull the arm out of the roller enough for the arm to clear the room while rotating the arm.
- Drill out the two rivets in the roller tube.
- Pull the spring, bushing, and arm out of the roller tube.
- Detach old spring from arm.
- Put the new spring into the roller allowing about 6" of the spring to be exposed. Slide the bushing over the spring into the roller. Attach with rivets. Engage the arm to the spring.
- Making sure that the arm will slightly clear the room, turn the arm in the counter clockwise position. Please refer to the spring wind chart for the correct tension. Once completed, slide the spring and arm into the roller tube. **Using extreme caution** re-attach the arm to the mounting bracket.

ADDING TENSION ON AN OMEGA:

- With the slide open, facing the coach, **using extreme caution**, carefully remove the right arm from the mounting bracket on the face of the slide. *Helpful hint:* Put a piece of tape across the bottom of the arm to keep the arm plug in place.
- Making sure that the arm will clear the room, turn the arm in the counterclockwise direction to add tension using the arm as leverage. Please refer to the spring wind chart for the correct tension.
- **Using extreme caution**, re-attach the arm to the mounting bracket.

OMEGA II

Left Spring, part number R00731

	Winds-Closed	Winds-Open	Direction of Winds
(Room Extension)	(Room Width)	(Room Width)	Clockwise
7" TO 15"	Up to 10' = 19 10' and Larger = 21	Up to 10' = 20 10' and Larger = 22	
16" TO 23"	Up to 10' = 18 10' and Larger = 20	Up to 10' = 20 10' and Larger = 22	
24" TO 31"	Up to 10' = 17 10' and Larger = 19	Up to 10' = 20 10' and Larger = 22	
32" TO 40"	Up to 10' = 16 10' and Larger = 18	Up to 10' = 19 10' and Larger = 21	
41" TO 48"	Up to 10' = 15	Up to 10' = 19	
	10' and Larger = 17	10' and Larger = 21	

HOW TO CHANGE A SPRING ON AN OMEGA II:

- Remove the case covering the roller tube.
- With the slide open, facing the coach, **using extreme caution**, remove the bolt in the lower left arm. This will allow you to remove the arm from the mounting bracket on the face of the slide. *Helpful hint:* Put a piece of tape across the bottom of the arm to keep the arm plug in place.
- If there is tension on the spring, unwind the tension using the arm as leverage. You will need to pull the arm out of the roller enough for the arm to clear the room while rotating the arm.
- Drill out the two rivets in the roller tube.
- Pull the spring, bushing, and arm out of the roller tube.
- Detach the old spring from arm.
- Put the new spring into the roller allowing about 6" of the spring to be exposed. Slide the bushing over the spring into the roller. Attach with rivets. Engage the arm to the spring.
- Making sure that the arm will slightly clear the room, turn the arm in the clockwise position. Please refer to the spring wind chart for the correct tension. Once completed, slide the spring and arm completely into the roller tube and re-attach the arm to the mounting bracket.

ADDING TENSION ON AN OMEGA II:

- Remove the case covering the roller tube.
- With the slide open, facing the coach, **using extreme caution**, carefully remove the left arm from the mounting bracket on the face of the slide. *Helpful hint:* Put a piece of tape across the bottom of the arm to keep the arm plug in place.
- Making sure that the arm will slightly clear the room, turn the arm in the clockwise position to add tension using the arm as leverage. Please refer to the spring wind chart for the correct tension.
- Re-attach the arm to the mounting bracket.
- Re-attach the case.

SPRING WIND GUIDE

WINDOW AWNING, OTD & TRUCKIN' AWN

Window Awning – Standard & XL Models

Length of Awning	Winds-Closed	Winds-Open	Direction of Winds
3' TO 12'	5	8	LH-Clockwise
13' AND UP	17	20	RH-Counterclockwise

Over the Door Awnings (OtD)

	Winds-Closed	Winds-Open	Direction of Winds
ALL SIZES	5	8	LH-Clockwise RH-Counterclockwise

Truckin' Awn

	Winds-Closed	Winds-Open	Direction of Winds
ALL SIZES	15	18	LH-Clockwise RH-Counterclockwise

HOW TO CHANGE A SPRING ON A WINDOW, OTD AWNING OR TRUCKIN' AWN:

Left and right springs. Depends on size, color of end caps and if it is an alumaguard application or vinyl application. Please refer to the window awning illustrated parts list for part numbers.

- Remove the rivets holding the end cap onto the roller tube.
- Remove the screw holding the arm plug onto the top of the arm.
- Carefully remove the spring.
- Insert the new spring into the roller tube and attach with rivets.
- Attaching a vice grip to the arm plug, turn the plug in the clockwise position for the rear spring and the counter-clockwise position for the front spring. Please refer to the spring wind chart for the correct tension.
- Re-attach the arm plug to the arm.

ADDING TENSION ON A WINDOW OR OTD AWNING:

- Remove the screw holding the arm plug to the top of the arm.
- Attach a vice grip to the arm plug and carefully lift it off of the arm.
- Turn the plug in the clockwise position for the rear spring and counter-clockwise for the front spring.
- Re-attach the arm plug to the arm.

SUNSHADE

3' – 3'11"	Right	R00451XXX	Left	R00448XXX
4' – 4' 11"	Right	R00452XXX	Left	R00449XXX
5' – 17'	Right	R00453XXX	Left	R0450XXX
	Winds-Closed		Direction of Winds	
ALL SIZES	8		LH-Clockwise	
(2 springs - 1 right & 1 left)			RH-Counterclockwise	

SOKII

Left Spring, part number R00731

	Winds-Closed	Winds-Open	Direction of Winds
ALL SIZES	17	Add 1 wind per foot of extension	Clockwise

HOW TO CHANGE A SPRING ON A SOK II:

- With the slide open remove the black screws that hold the L bracket onto the main mounting bracket, left side if facing the coach, on the face of the slide.
- Attach a vice grip to the L bracket.
- **Using extreme caution**, carefully slide the L bracket out of the main mounting bracket. If there is tension on the spring, carefully unwind.
- Once there is no tension on the spring, drill out the two rivets holding the bushing to the roller tube.
- Pull the spring and bushing out of the roller tube.
- Detach the spring from the L bracket.
- Put the new spring into the roller allowing about 6” of the spring to be exposed. Slide the bushing over the spring into the roller. Attach with rivets. Using the vice grips, turn the L bracket in the clockwise position to add tension. Refer to the spring wind chart for the correct tension.
- **Using extreme caution**, slide the L bracket into the main bracket. Attach with the black screws that were taken out earlier.

ADDING TENSION TO THE SOK II:

- With the slide open remove the black screws that hold the L bracket onto the main mounting bracket, left side if facing the coach, on the face of the slide.
- Attach a vice grip to the L bracket.
- **Using extreme caution**, carefully slide the L bracket out of the main mounting bracket.
- Using the vice grips as leverage, turn the L bracket in the clockwise position to add tension. Please refer to the spring wind chart for the correct tension.
- **Using extreme caution**, carefully slide the L bracket into the main bracket. Attach with the black screws that were taken out earlier.

SPRING WIND GUIDE

SUMMIT/SOKIII

Right Spring, part number R001165

	Winds-Closed	Winds-Open	Direction of Winds
Lengths of 96" or less	14	Add 1 wind per foot of extension	Counterclockwise
Lengths 97" - 191"	21		
Summit XL (192" & longer)	15		

For complete spring and roller replacement procedures refer to 052520-301, SOKIII and Summit Service Manual

available on-line at www.carefreeofcolorado.com or www.e-carefree.com

SLIDEOUT COVER

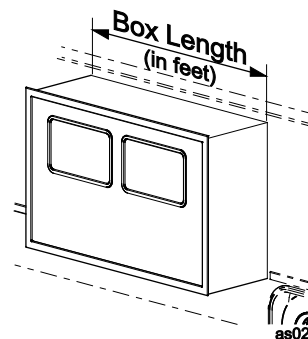
Right Spring, part number R001582

The spring winds are calculated based on the box length of the slide-out. To calculate the spring winds (room closed), measure the box length IN FEET.

Calculating the Spring Winds

Box Length		Winds Required
• 47" or less	Spring Winds =	11
• 4' to 13'11"	Spring Winds =	Number of feet +7
• 14' to 16' 4"	Spring Winds =	21

*Example: Box Length = 10' 4"; spring winds = 10 + 7 = 17.
Always round down to the nearest whole number.*



For complete spring and roller replacement procedures refer to 052559-301, Slideout Cover Service Manual

available on-line at www.carefreeofcolorado.com or www.e-carefree.com

ASCENT

Right Spring, part number R001560

Left Spring, part number R001561 – used w/ XL only

The Ascent spring winds are calculated based on the box length of the slide-out. To calculate the spring winds (room closed), measure the box length IN FEET.

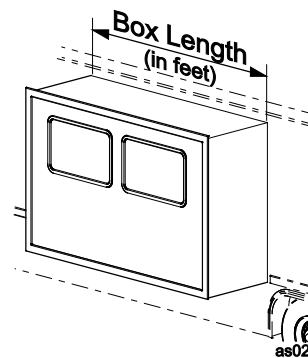
Calculating the Spring Winds

Box Length		Winds Required
• Less than 5'	Spring Winds =	4
• 5' to 16' 4"	Spring Winds =	Number of feet

*Example: Box Length = 10' 4"; spring winds = 10.
Always round down to the nearest whole number.*

(XL Models)

- 16' 5" to 29' 11" Spring Winds = Number of feet divided by 2
*Example: Box Length = 20' 6"; spring winds = 20 divided by 2 = 10.
Always round down to the nearest whole number.*
- 30' or longer Spring Winds = 15



For complete spring and roller replacement procedures refer to 052553-301, Ascent Service Manual

available on-line at www.carefreeofcolorado.com or www.e-carefree.com

PATIO AWNING

SPIRIT, FIESTA, SIMPLICITY & FULLTIMER

Front Spring:	7'11" or less	R00926XXX-A	one spring only	
Front Spring:	8-18'	R00925XXX-A	18' 1"-25'	R00926XXX-A
Rear Spring:	8-18'	R00923XXX-A	18' 1"-25'	R00924XXX-A
Length of Awning	Winds-Closed		Winds-Open	Direction of Winds
Under 7'11"	6		14	RH-Counterclockwise
8' to 12'	5		13	LH-Clockwise
12.1' to 19'	7		15	RH-Counterclockwise
19.1' to 25'	8		16	

FIESTA LITE

Front Spring:	16' or less	R001703XXX-A	one spring only	
Front Spring:	16' 1" or more	R001704XXX-A		
Rear Spring:	16' 1" or more	R001706XXX-A		
Length of Awning	Winds-Closed		Winds-Open	Direction of Winds
16' or less	8		Add 1 wind per foot of extension	RH-Counterclockwise
16' 1" or longer	7			LH-Clockwise RH-Counterclockwise

For complete spring and roller replacement procedures refer to
 052876-301, Patio Awning Service Manual
 available on-line at www.carefreeofcolorado.com or www.e-carefree.com