



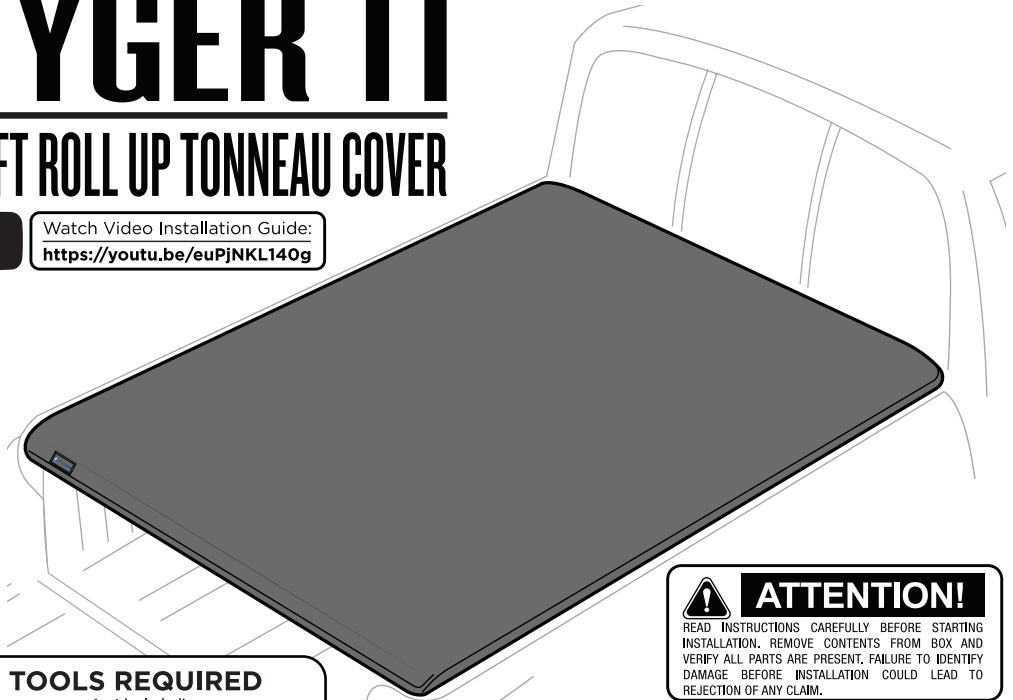
TYGER®

TYGER TI

SOFT ROLL UP TONNEAU COVER



Watch Video Installation Guide:
<https://youtu.be/euPjNKL140g>



ATTENTION!

READ INSTRUCTIONS CAREFULLY BEFORE STARTING INSTALLATION. REMOVE CONTENTS FROM BOX AND VERIFY ALL PARTS ARE PRESENT. FAILURE TO IDENTIFY DAMAGE BEFORE INSTALLATION COULD LEAD TO REJECTION OF ANY CLAIM.

TOOLS REQUIRED

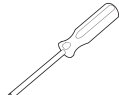
(not included)



Ratchet Wrench



10mm Socket



Phillip-Head Screwdriver

DAMAGED or MISSING PARTS?

Submit a claim at
www.TygerAuto.com/Contact
TO CLAIM WARRANTY



ITEMS LIST (ONLY MARKED ITEMS ARE INCLUDED)

x1 Bed Cover



x2 Side Rails (L & R)



SP-BC1002 Mounting Clamps*



SP-BC1003 For Nissan Titan



SP-BC1004 For Nissan Frontier



SP-BC1005 For Toyota Tacoma



SP-BC1006 For Toyota Tundra



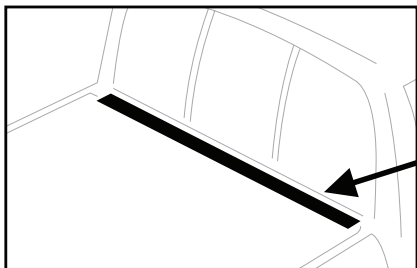
SP-BC0003 Front Seal Strip 170 x 2.5 x 1CM

SP-BC0004 Front Seal Strip 170 x 3.5 x 0.4CM

SP-BC0007 Front Seal Strip 150 x 3 x 1.6CM



*Quantity and shape of clamps may vary by vehicle model.



You might need:



Seal Strip

(Only apply to some models)



ATTENTION!

• IF THE TRUCK'S FRONT BED RAIL IS LOWER THAN THE SIDES, USE THE PROVIDED WEATHER SEAL STRIPS. GAPS ON THE FRONT BED AND TAILGATE WILL CAUSE NOISE AND FLAPPING ISSUES WHILE THE VEHICLE IS IN MOTION!

1

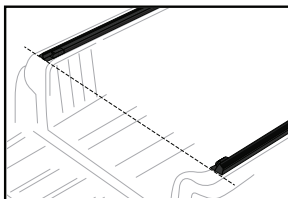
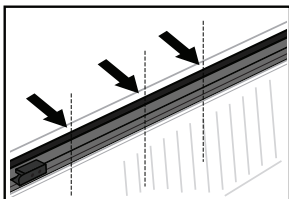
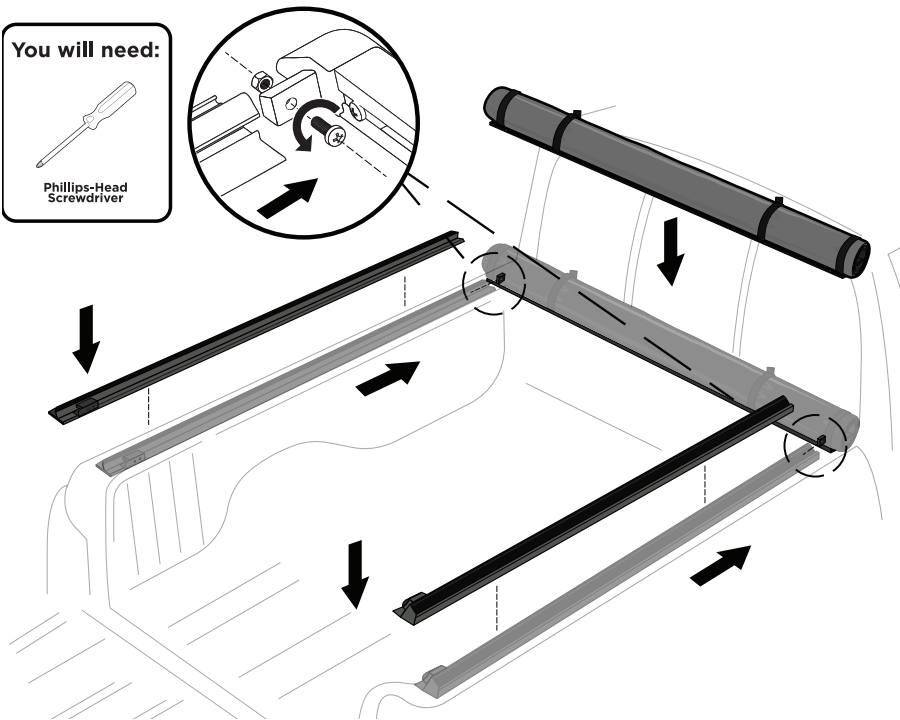
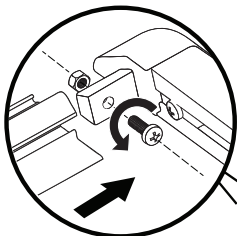
ASSEMBLING COVER

- PLACE COVER ASSEMBLY ON FRONT TRUCK BED RAIL AGAINST THE CAB.
- LOOSEN THE SCREW IN BULKHEAD ASSEMBLY ON BOTH SIDES, THEN SLIDE IN THE SIDE RAILS.
- REINSTALL AND TIGHTEN SCREWS TO ATTACH SIDE RAILS TO COVER ASSEMBLY.

You will need:



Phillips-Head
Screwdriver



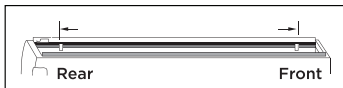
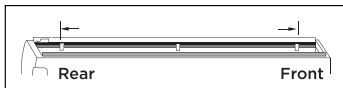
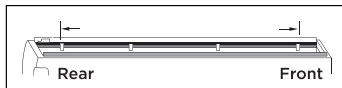
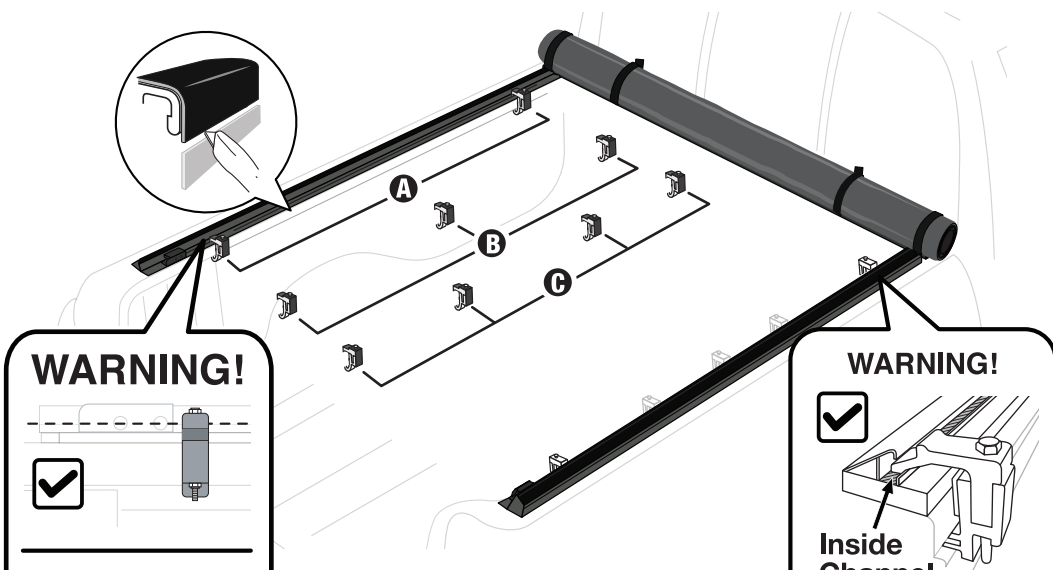
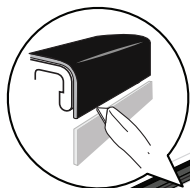
ATTENTION!

• MAKE SURE THE SIDE RAIL LINES UP WITH THE INNER EDGE OF THE TRUCK BED RAIL. PLACE THE SIDE RAILS EVENLY SO THAT THE DISTANCE BETWEEN THE REAR END OF THE SIDE RAIL TO THE TAILGATE IS THE SAME ON BOTH SIDES.

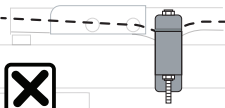
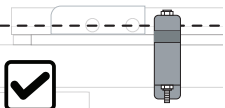
2

POSITIONING SIDE RAILS

- THE NUMBER OF CLAMPS EQUIPPED ON THIS BED COVER IS SPECIFIC TO THE MODEL AND BED SIZE. CONFIRM THE NUMBER (4/6/8) OF CLAMPS INSIDE THE HARDWARE PACKAGE.
- THEN EVENLY PLACE THE SUPPLIED CLAMPS ALONG THE SIDE RAILS ACCORDING TO THE POSITIONAL CONFIGURATION A/B/C BASED ON THE # OF CLAMPS.
- ATTACH THE CLAMPS TO THE SIDE RAIL AND THE TRUCK BED RAILS. DO NOT TIGHTEN CLAMPS UNTIL COVER IS PROPERLY FITTED.

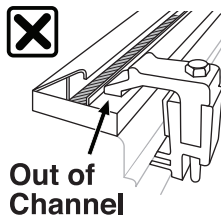
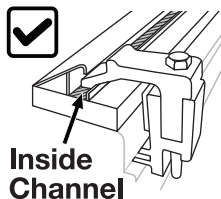
A

4 CLAMPS
B

6 CLAMPS
C

8 CLAMPS


WARNING!



DO NOT
over-tighten
the clamps.

WARNING!



NOTE: FOR TOYOTA AND NISSAN MODELS, REFER TO **PAGE 7** FOR SUPPLEMENTAL INSTRUCTION ON UTILITY TRACK BRACKET INSTALLATION.

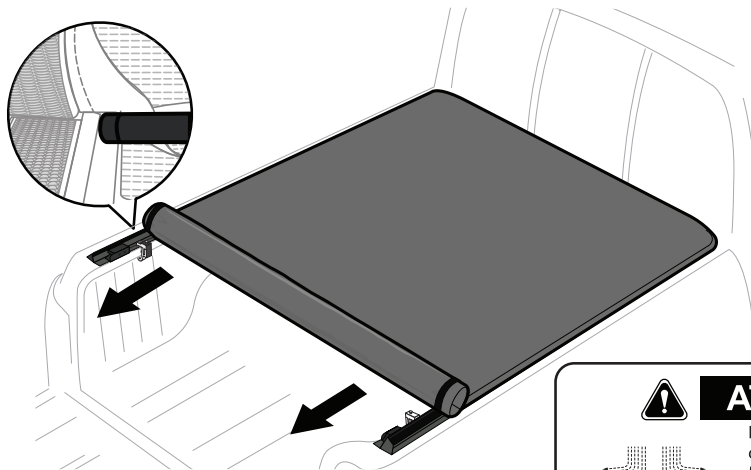


ATTENTION!

- CLAMPS MUST BE ATTACHED SECURELY TO THE **METAL PART** OF THE TRUCK BED RAIL LIPS; SMALL HOLES MIGHT NEED TO BE CUT ON THE BED LINER.

3 ROLLING DOWN THE COVER

- UNHOOK THE SAFETY STRAPS.
- MAKE SURE THE ENDS OF THE CROSSBAR ARE RESTING ON THE SIDE RAILS AND THE DIRECTION OF THE CROSSBAR IS ARCHED UPWARD.



DO NOT OFFSET THE CROSSBAR OFF THE SIDE RAILS !

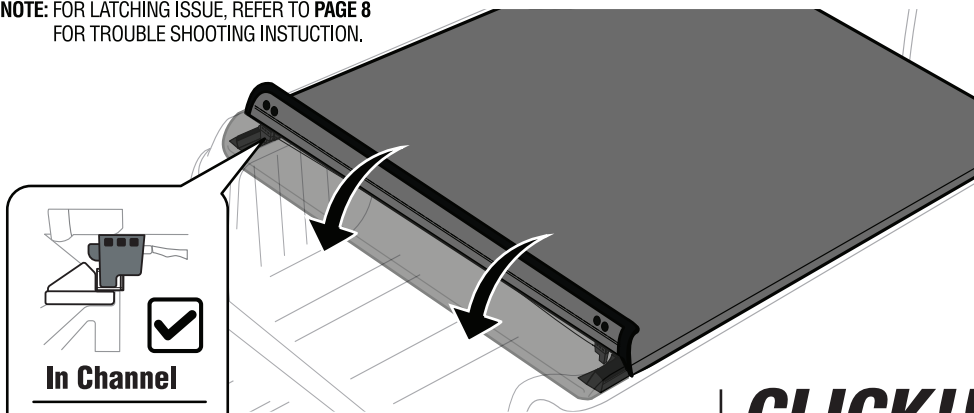
ATTENTION!

Horizontal crossbars are arched by default to help with water drainage. Make sure arched side is up during installation. Incorrect positioning of the crossbar will cause water to pool.

4 LATCHING THE COVER

- PUSH DOWN ON THE END OF COVER TO CLOSE.
- COVER MUST BE LATCHED DOWN PRIOR TO CLOSING THE TAILGATE.

NOTE: FOR LATCHING ISSUE, REFER TO **PAGE 8** FOR TROUBLE SHOOTING INSTRUCTION.



In Channel ✓

NOT In Channel ✗

✗

WARNING!
LATCH HEAD THAT IS OUT OF POSITION CAN CAUSE DAMAGE TO THE CHANNEL.

CLICK!!!

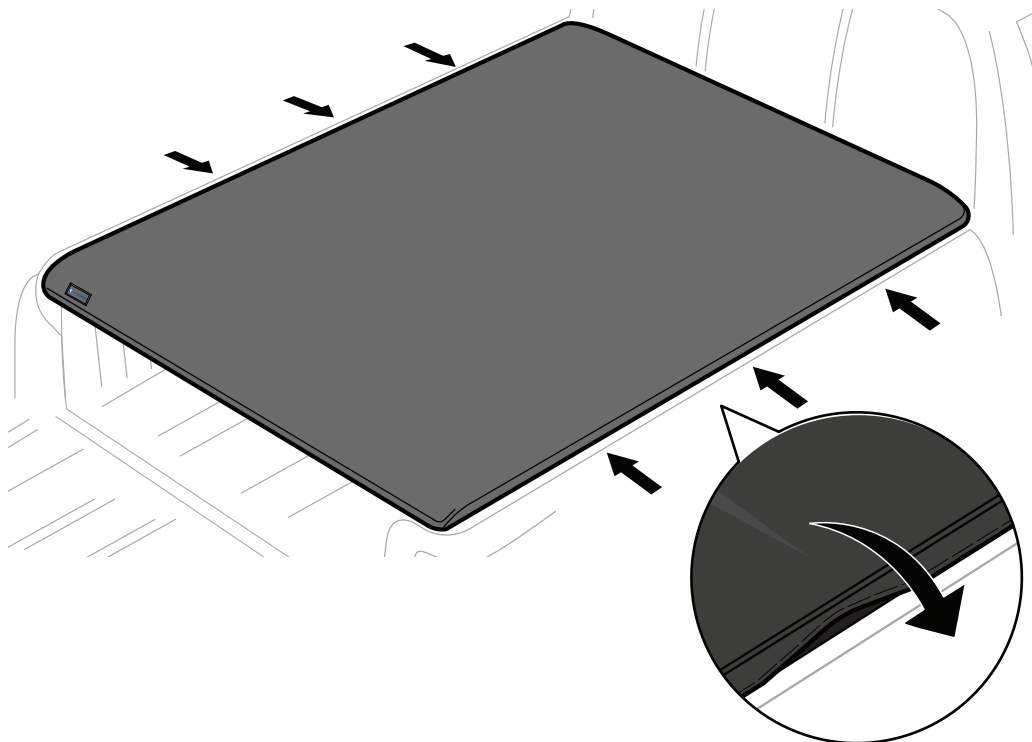
NOTE:
YOU SHOULD HEAR A CLICKING SOUND WHEN CLOSING THE COVER TO INDICATE THE COVER IS PROPERLY LATCHING DOWN.

5

FINISHING THE INSTALLATION

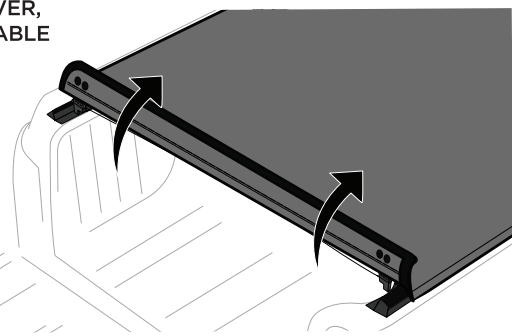
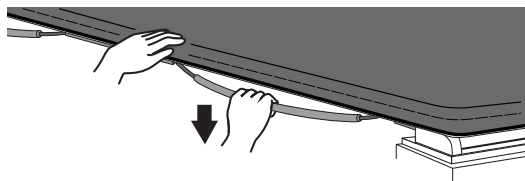
- GENTLY PULL ON BOTH SIDES OF THE COVER. PRESS ALONG THE EDGES TO SECURE THE VELCRO.

COMPLETED!!!

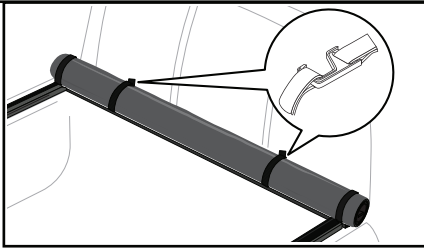
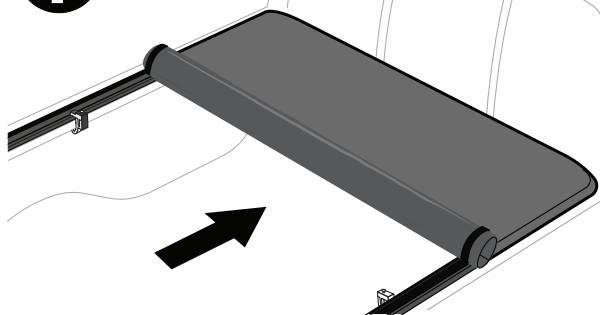

6

UNLATCHING THE COVER

- PUSH DOWN ON THE END OF THE COVER, PULL ON EITHER SIDE OF THE LATCH CABLE TO UNLATCH THE COVER.



7 ROLLING UP THE COVER



ATTENTION!

• MAKE SURE THE COVER IS FREE OF ANY DEBRIS BEFORE ROLLING UP THE COVER, SAFETY STRAPS MUST BE SECURED BEFORE DRIVING AFTER YOU ROLLED UP THE COVER.



DO NOT OVERLOAD CARGO



REMOVE SNOW BEFORE ROLLING UP COVER



SECURE ALL CLAMPS BEFORE DRIVING



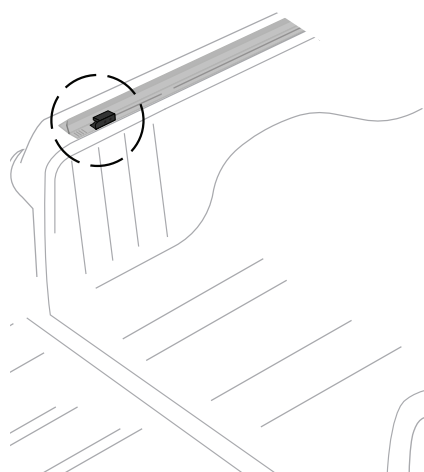
USE WATER AND SOAP TO CLEAN, AVOID ABRASIVE CHEMICAL CLEANERS

NOTE: COVER MAY NOT COMPLETELY COVER TO THE OUTSIDE EDGE OF THE BED RAILS DUE TO SLIGHT DIFFERENCE IN TRUCK BED SHAPE FOR DIFFERENT YEAR MODELS.

8 THE TENSION CONTROL SYSTEM

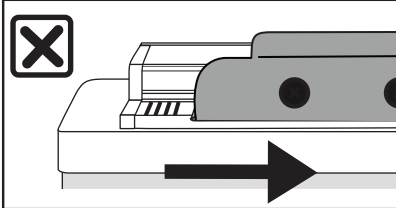
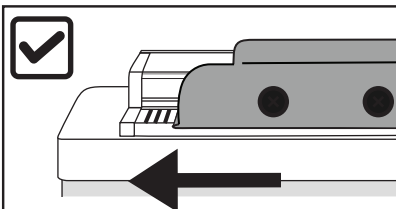
• DEPENDING ON THE WEATHER CONDITION IT MAY BE NECESSARY TO ADJUST THE TENSION CONTROL SYSTEM. TO ADJUST, LOOSEN THE PHILLIP SCREWS ON THE TENSION PLATE, THEN THE TENSION PLATE CAN BE SLIDED BACK AND FORTH.

NOTE: ONLY MOVE ONE INCREMENT AT A TIME. SAME ADJUSTMENT TO BOTH TENSION PLATES IS NEEDED.



You will need:

Phillips-Head Screwdriver



NOTE: DO NOT ADJUST TENSION PLATE BEYOND THE LAST INCREMENT LINE.

SPECIAL INSTRUCTIONS FOR ALTERNATIVE BRACKETS

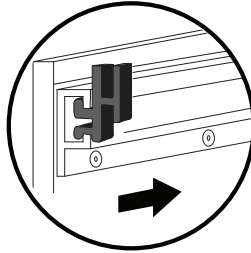
SUPPLEMENT TO INSTALLATION INSTRUCTIONS
(Only for models with utility track)

For NISSAN TITAN



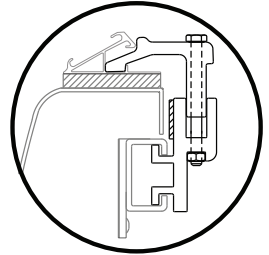
a

Slide aluminum blocks into the utility track



b

Tighten the clamp

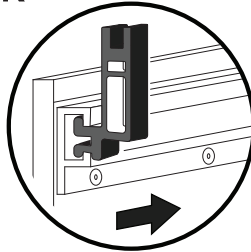


For NISSAN FRONTIER



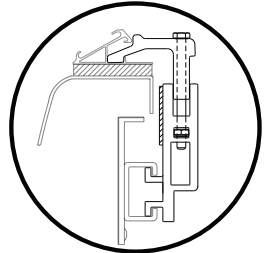
a

Slide aluminum blocks into the utility track



b

Tighten the clamp

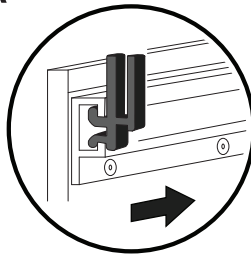


For TOYOTA TACOMA



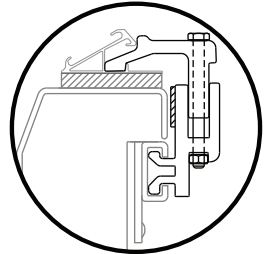
a

Slide aluminum blocks into the utility track



b

Tighten the clamp

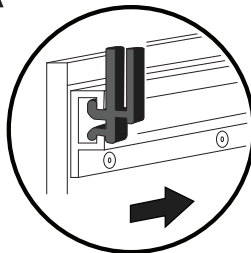


For TOYOTA TUNDRA



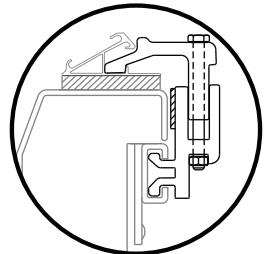
a

Slide aluminum blocks into the utility track



b

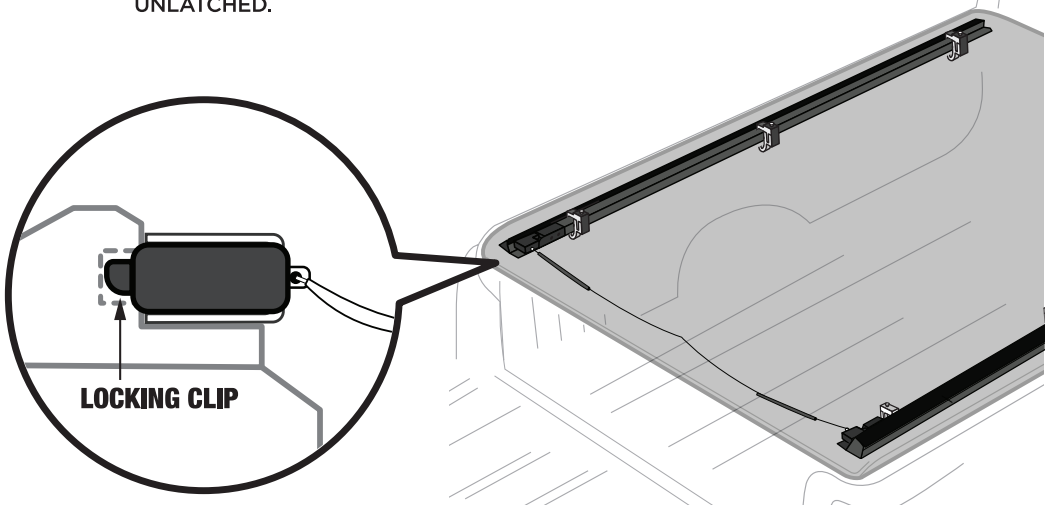
Tighten the clamp



COVER DOESN'T STAY LATCHED?

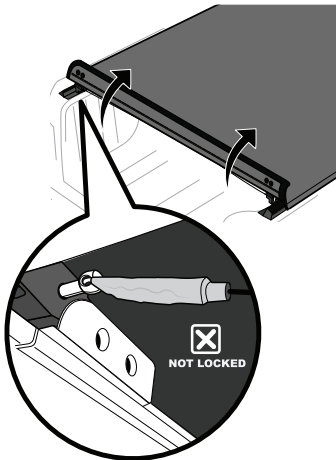
9

- MAKE SURE THE LOCKING CLIP ON BOTH SIDES ARE COMPLETELY INSERTED INTO THE CHANNEL ON THE SIDE RAILS TO AVOID END OF THE COVER BECOMING UNLATCHED.



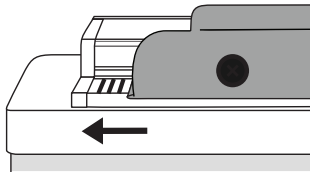
10

- IF COVER DOESN'T STAY CLOSED AND YOU FIND THE LOCKING CLIP IS NOT FULLY INSERTED.



11

- TRY MOVING THE TENSION PLATE TOWARDS THE TAILGATE ON BOTH SIDES, ONE INCREMENT AT A TIME.



12

- MAKE SURE THE LOCKING CLIP ON BOTH SIDES ARE INSERTED INTO THE CHANNEL ON THE SIDE RAILS.

