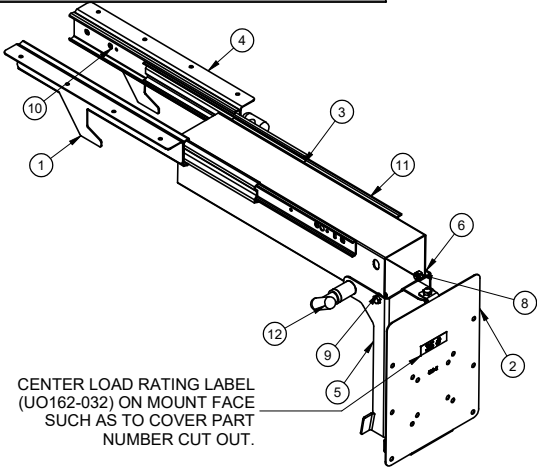
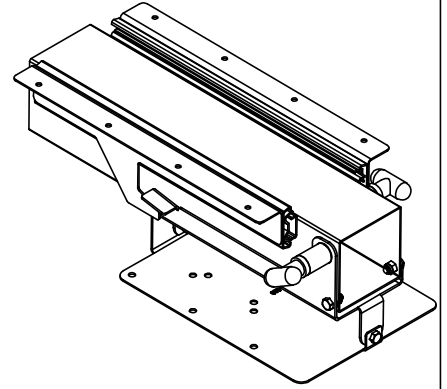
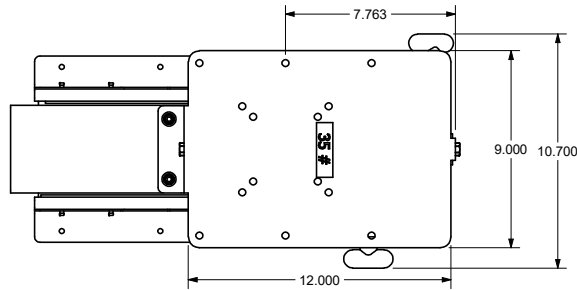
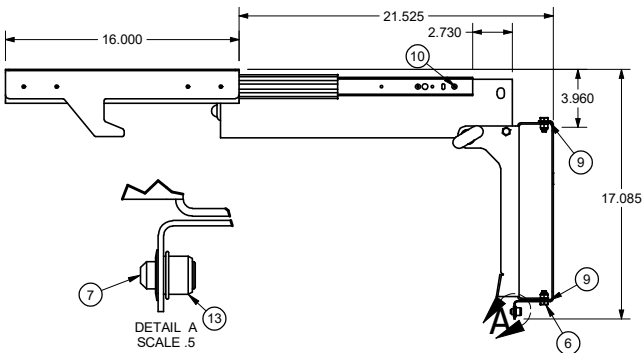
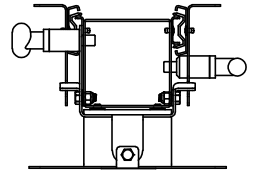
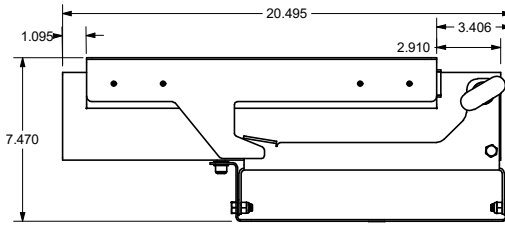


USE UO136-1856 WHEN USING PRIDE (-P) SLIDES AS SHOWN

UO136-1856



CENTER LOAD RATING LABEL (UO162-032) ON MOUNT FACE SUCH AS TO COVER PART NUMBER CUT OUT.



PARTS LIST		
ITEM	QTY	PART NUMBER
1	1	TV40-010-A
2	1	TV40-010-E
3	1	TV40-010-F
4	1	TV40-010-WA
5	1	TV40-010-WB
6	4	UO115-119
7	2	UO115-359
8	4	UO116-065
9	4	UO117-032
10	16	UO136-137
11	2	UO136-146-AHR
12	2	UO136-526
13	2	UO136-605
14	1	UO162-032

DATE	REV	INIT	DESCRIPTION
7/31/17	E	JONDK	INCREASED TV40-10-WB WIDTH FOR BETTER FIT
7/18/16	D	JONDK	MOVED HOLES ON TV40-010-A, TV40-010-B, AND TV40-010-F
5/19/14	C	JONDK	ADDED HOLES FOR ANOTHER SLIDE
1/28/14	B	AT	UPDATED HOLES TO USE RIVETS FOR NEW SLIDE
3/21/12	A	JONDK	MOVED HOLES AND CHANGED FROM RIVETS TO BOLTS FOR NEW SLIDE HOLE PATTERN

NOTES:

DIMENSIONS IN INCHES U.N.O.
ALL DIMENSIONS OD U.N.O.

TOLERANCE OF DIMENSIONS

DECIMAL

X.XXXXX ± 0.010

X.XXX ± 0.030

X.XX ± 0.060

FRACTIONAL ± 1/8

ANGULAR ± 1°

TV40-010

TV BRACKET

DRAWN: jondk

DATE: 8/30/2011

CUST PART ID:

NONE

MATERIAL:

VARIOUS

FINISH:

POWDER COAT BLACK



...Opportunity Driven...

SHEET

1 / 1

CONFIDENTIAL: THIS DRAWING & THE INFORMATION CONTAINED HEREON ARE THE EXCLUSIVE PROPERTY OF MORFYDE. THEY SHALL NOT BE COPIED OR DUPLICATED WITHOUT OUR CONSENT.