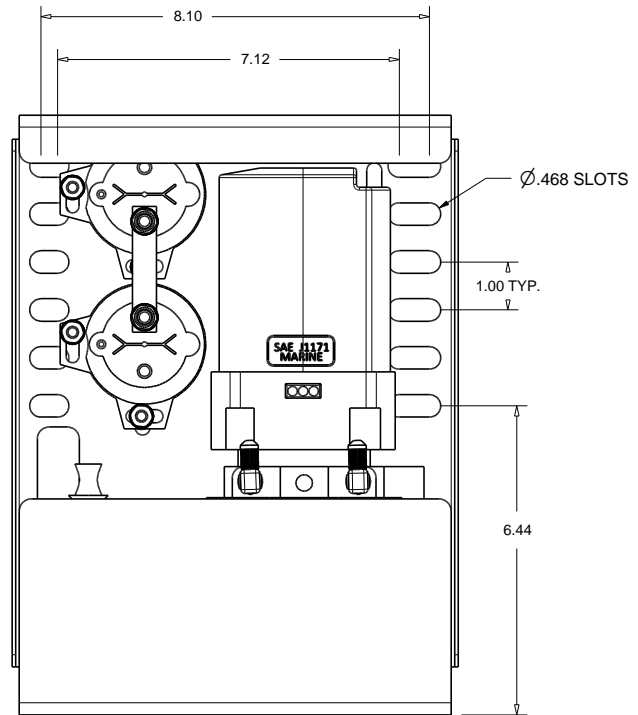
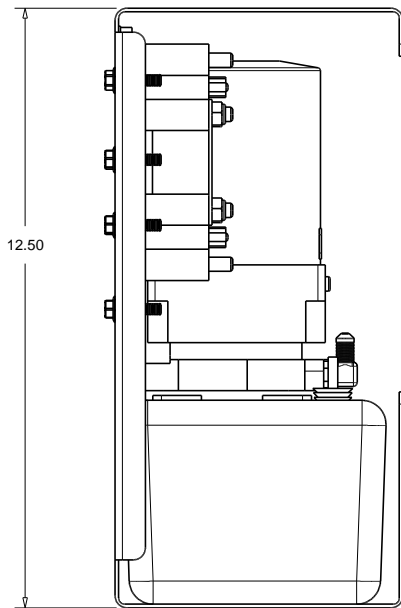
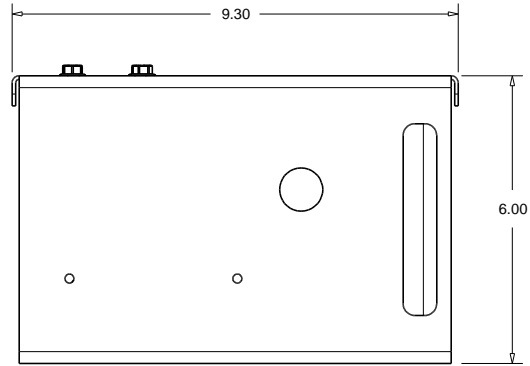
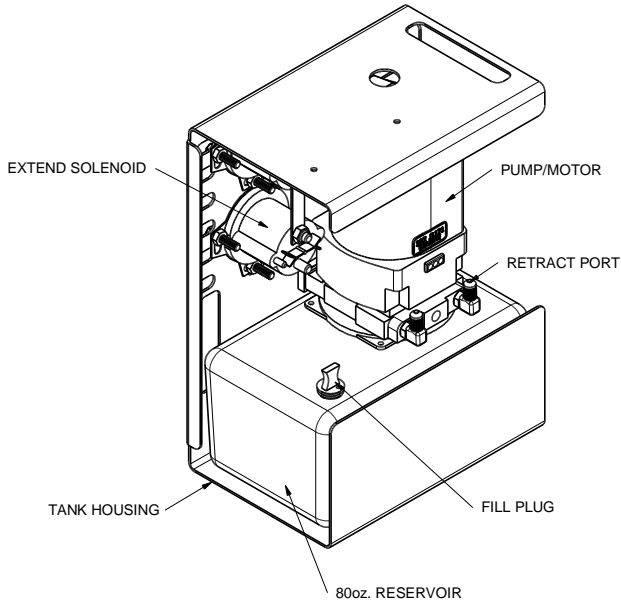


MEDIUM TANK ASSEMBLY

STANDARD MEDIUM TANK ASSEMBLY #M26850

MEDIUM TANK w/ MANUAL OVERRIDE #M26855



SPECIFICATIONS:

POWER UP & DOWN
 EXTEND PRESSURE: 2,500 psi
 RETRACT PRESSURE: 1,000 psi
 INDIVIDUAL SOLENOID FOR EXTEND & RETRACT
 STANDARD 12V & OPTIONAL 24V MOTOR
 AVAILABLE MANUAL OVERRIDE w/ HEX KEY OPERATION
 WEATHERPROOF, CAN BE MOUNTED OUTSIDE (NOT SUBMERSIBLE)
 VERTICAL MOUNTING ONLY (AS SHOWN)
 POWDERCOATED 14 GA. STEEL HOUSING

