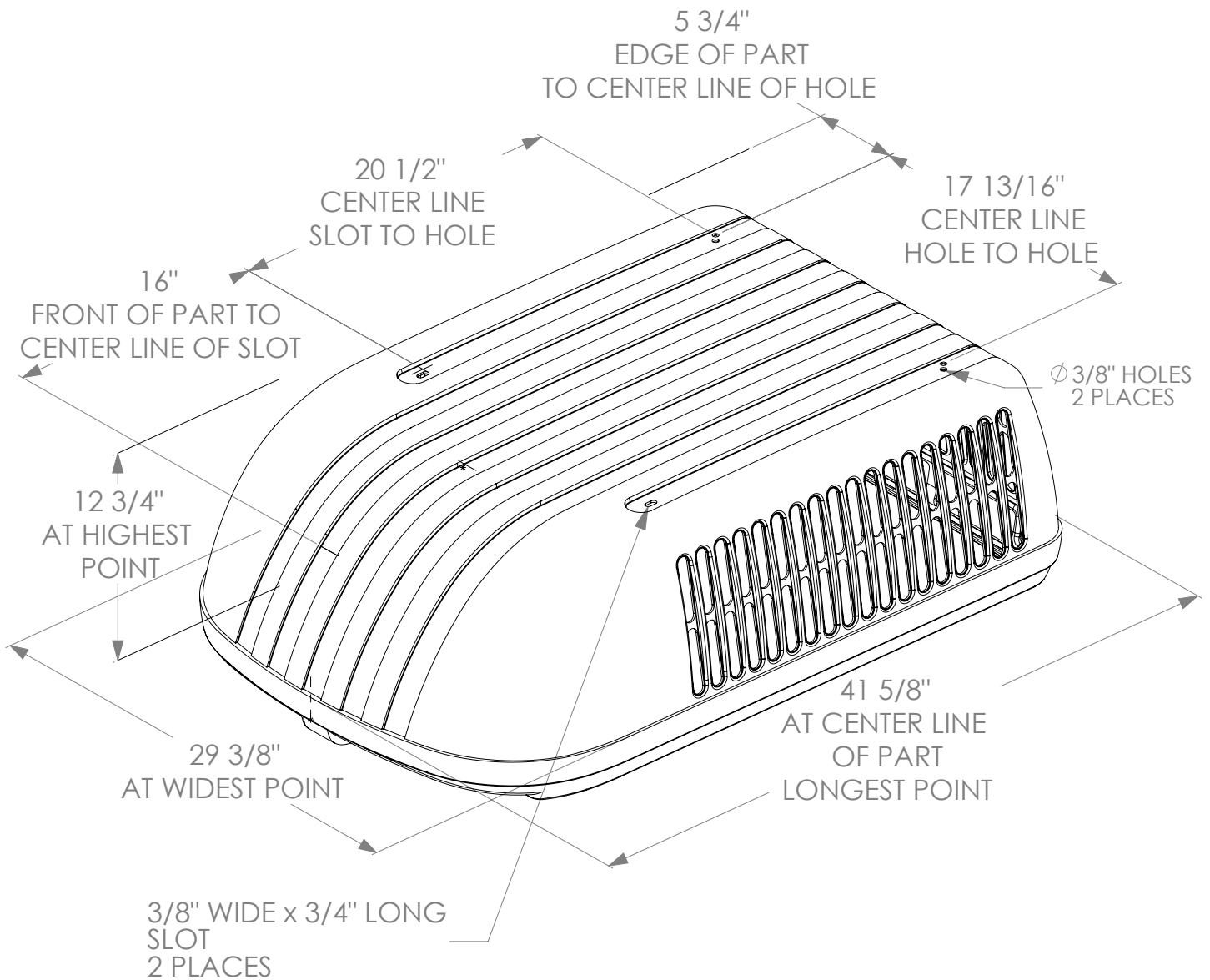


**MAXXAIR® VENT CORPORATION
TUFFMAXX A/C COVER
PART # 00-325001 & 00-325004**

SUBJECT: MAXIMUM SIZE FLAT AREA,
TUFFMAXX COVER, INSIDE TOP SURFACE.
ACTUAL OVERALL OUTER DIMENSIONS
OF THE COVER ITSELF ARE: 41 5/8" x 29 3/8" x 12 3/4".
THIS COVER IS DESIGNED TO FIT COLEMAN AIR
CONDITIONERS; 11,000 BTU; 13,500 BTU; 15,000 BTU.

TUFFMAXX A/C REPLACEMENT SHROUD DIMENSIONS





**TUFFMAXX
A/C REPLACEMENT SHROUD
DIMENSIONS
BOTTOM CUT-OUT**

