

# ELITE

by UnderCover

## MODEL SPECIFIC GUIDE

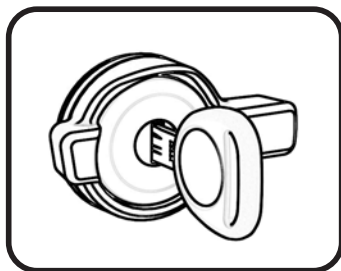
### Hidden Hinge Version

**Model 1168 Chevy Colorado/GMC Canyon  
Std/Ext Cab 6' Short Bed 2015**



### Program Your Key

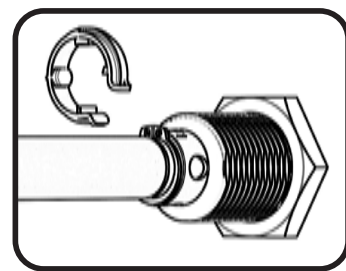
**WARNING**  
IF KEY IS NOT FULLY INSERTED PRIOR TO ROTATING - DAMAGE TO LOCK WILL OCCUR.



**STEP ONE**  
REMOVE LABEL,  
FULLY INSERT KEY

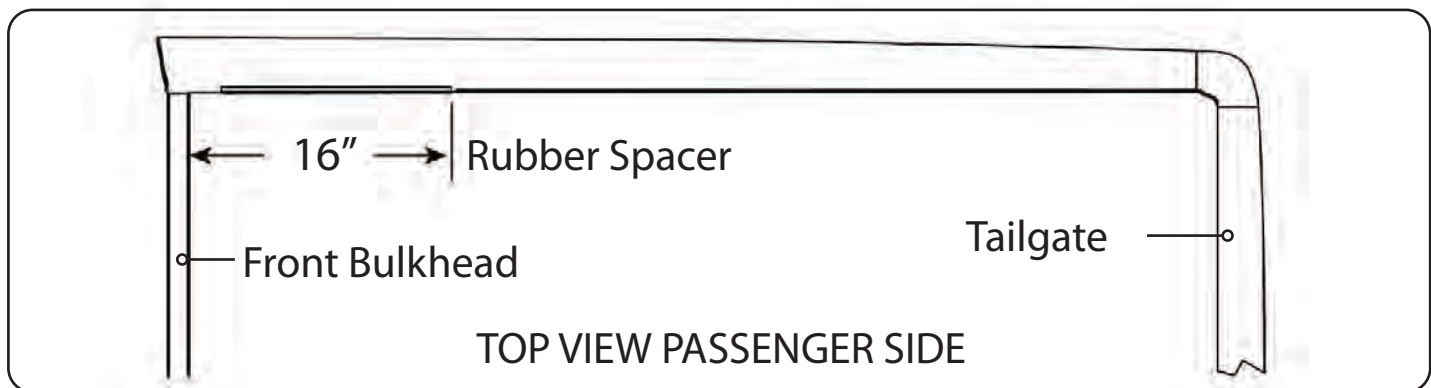
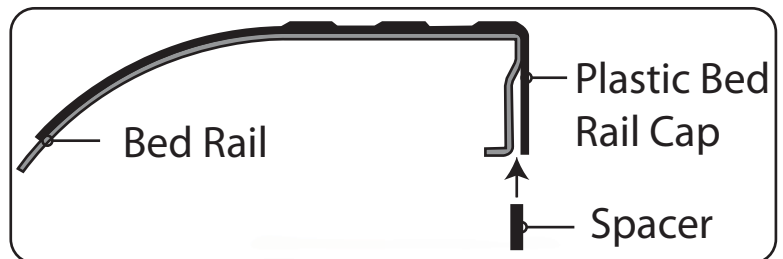


**STEP TWO**  
ROTATE CLOCKWISE  
180 DEGREES



**STEP THREE**  
REMOVE PLASTIC CLIP  
BY PUSHING ON TABS.  
DISCARD CLIP.

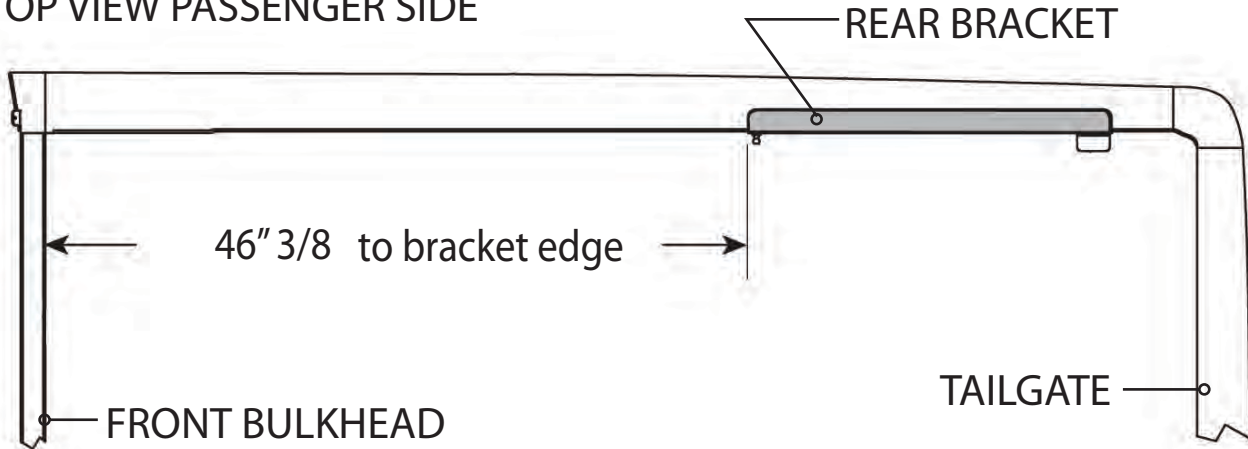
**Note:** The hardware kit for this truck includes 2 rubber spacers. These rubber spacers are to be placed between the plastic bed rail cap and the bed rail prior to installing the front brackets. Attach according to the diagram below.



### RE: Step 2 on the Quick Start Guide

Measurement for the rear mounting bracket is  $46\frac{3}{8}$ " from the back side of the bulkhead to the front edge of the bracket.

#### TOP VIEW PASSENGER SIDE



### RE: Step 3 on the Quick Start Guide

Measurement for the front mounting bracket is  $16\frac{1}{4}$ " from the back side of the bulkhead to the end of the bracket.

The fit of the cover to the truck bed is determined by the front mounting brackets. This measurement is a good starting point. Unfortunately not all truck beds are assembled 100% square, so some adjustments may be necessary after the cover is set on the truck.

#### TOP VIEW PASSENGER SIDE

