

UltraGuard Installation Instructions

Your Kit Includes

1 - 70"x16" UltraGuard
3 - metal trim 16"x1 1/2"
2 - reflectors
1 - hitch insert bracket

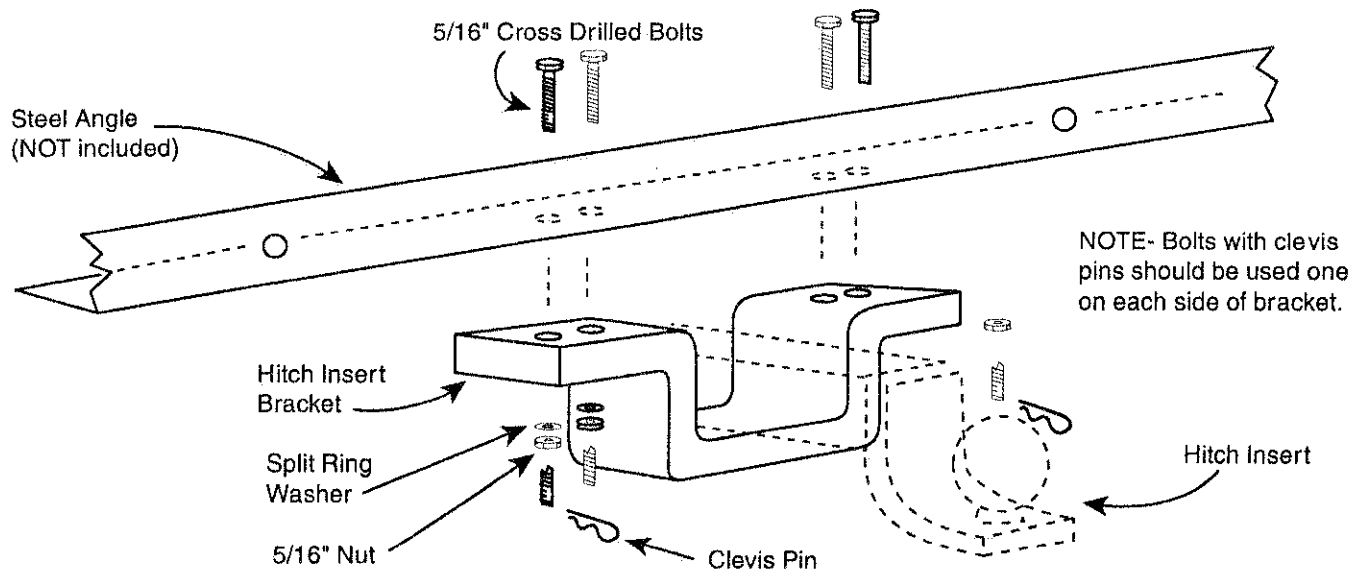
For Mounting UltraGuard	6 - fender washers
	6 - 1/4" - 20 - 1" bolts
	6 - 1/4" nuts

For Mounting Trim	6 - #10 - nylon insert locknuts
	6 - #10 - washers
	6 - #10 - 1" stainless steel screws

For Mounting Bracket	4 - 5/16" nuts
	2 - 5/16" bolts
	2 - 5/16" cross-drilled bolts
	2 - clevis pins
	4 - 5/16" split ring lock washers

You Will Need

- Drill with 5/16", 11/32" and 3/16" bits
- 3/8" socket and ratchet
- 3/8" wrench
- tape measure
- utility knife
- Phillips head screw driver
- 70"x1"x1" Metal Angle (NOT Included)

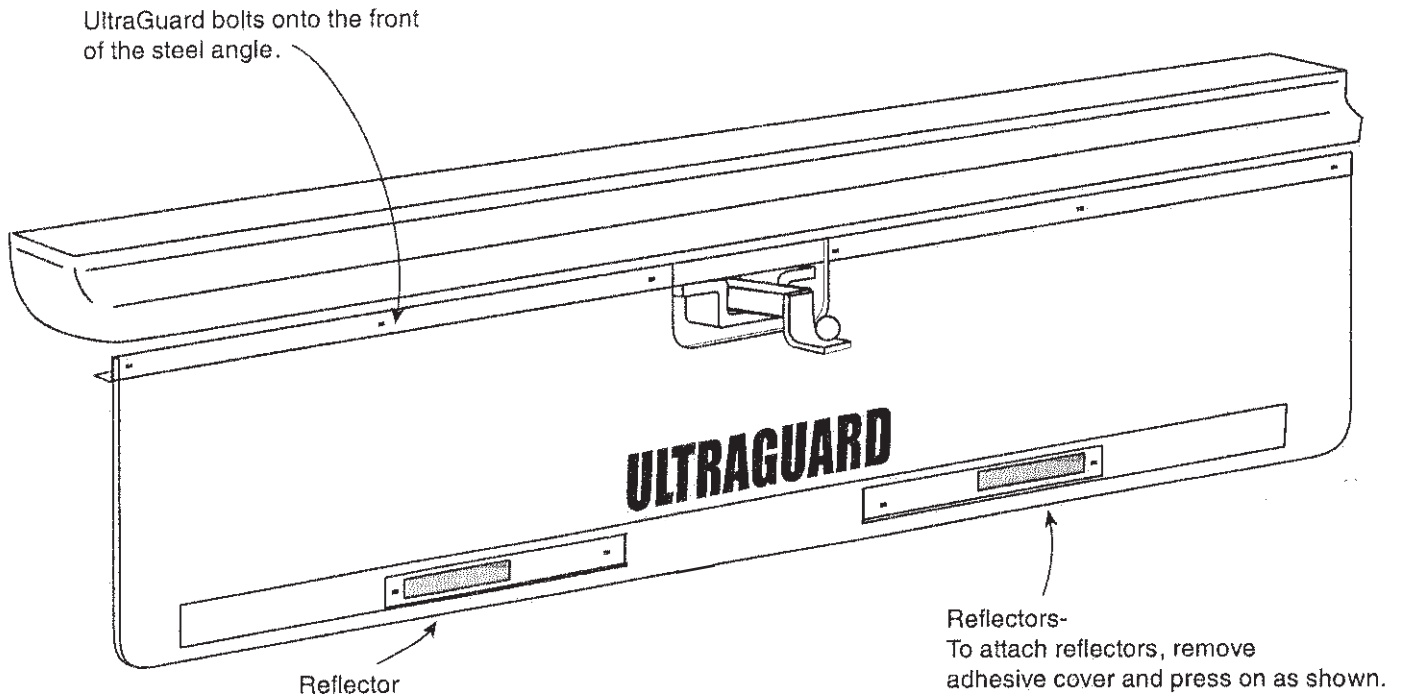


The hitch insert bracket shown can be used to mount the UltraGuard to any 2" hitch. The bracket slips under the hitch insert, (the insert has the ball mounted to it) and using a 70"x1"x1" steel angle (not included), the unit can be mounted to the hitch insert for easy removal and installation.

- 1) Center the bracket onto the 70" angle and drill four 11/32" holes through the 70" angle using hitch insert bracket as a guide.
- 2) Now drill six 9/32" holes on the front of the 70" channel for mounting the UltraGuard to the channel.
- 3) Cut out a rectangular opening (size hole as needed for your hitch) in the UltraGuard using a utility knife to accommodate the hitch.
- 4) Attach the UltraGuard to the angle using the 1/4" - 20 - 1" nuts, bolts and fender washers provided.
- 5) Mount the assembled unit to the hitch insert using the 5/16" bolts, nuts, lock washers and clevis pins provided.

UltraGuard Installation Instructions

Page 2



Aluminum Trim-
To attach aluminum trim, drill holes using drill bit. Drill corresponding holes into UltraGuard rubber. Attach using 1" Stainless steel bolts, washers and lock nuts.

Questions? Call Smart Solutions 630-775-1517