



# INSTALLATION, OPERATION & APPLICATION GUIDE FOR HEAT PUMP

- 9630\*335\*
- 9630\*336\*
- 9630\*337\*



08-03-17

## Caution

This thermostat should be installed by trained technicians only. Adhere to all local and national codes. Disconnect all power to the system before installing, removing, or cleaning.

## Application

The thermostat wiring is factory installed by the OEM (Original Equipment Manufacturer). RV Products suggests the thermostat wiring be a minimum of 18 gauge. The thermostat is intended for use with a 12 VDC control circuit that does not exceed 1 amp. The thermostat is equipped with a replaceable 2 amp fuse located on the base of the thermostat. The fuse is designed to “open” if the circuit is mis-wired or if there is a short in the system. Before replacing the fuse, the cause of the failure must be located and corrected.

## Operation

The display indicates the mode and the room temperature. When the mode button is pressed once, the thermostat will wake and if your thermostat is equipped with a backlight, the backlight will illuminate. When the mode button is pressed again, the mode will change. Press the ▲ or ▼ button to wake the thermostat; the set temperature will display and flash. Press the ▲ or ▼ button again to change the set temperature. The thermostat will go back to sleep mode after 5 seconds if no buttons are pressed.

In electric heat mode, if the heat pump is unable to satisfy the thermostat call, the heat pump will go into lockout (See heat pump and backup heat example for conditions of heat pump lockout). When thermostat is in lockout, ELEC will flash on the display.

In gas heat mode, the gas furnace will provide the only source of heat and the heat pump is locked out.

Temperature		
Mode	Range	
	°F	°C
Cooling (set)	33°F to 99°F	1°C to 37°C
Heating (set)	33°F to 99°F	1°C to 37°C

Refer to the operation chart for a more detailed listing of operation sequence.

## Installation



**ELECTRICAL SHOCK HAZARD – Turn off power at the main service panel by removing the fuse or switching the appropriate circuit breaker to the Off position before removing the existing thermostat.**

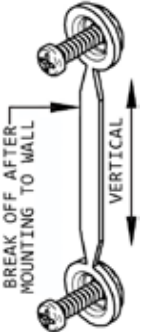
### A. THERMOSTAT LOCATION

This thermostat is a sensitive instrument. For accurate temperature control and comfort, the following considerations should be taken into account:

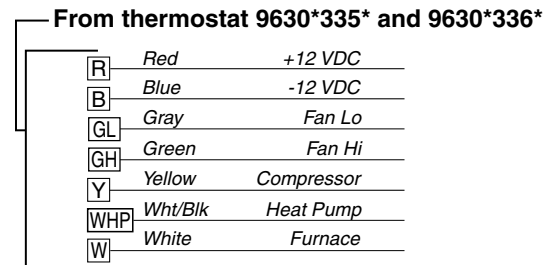
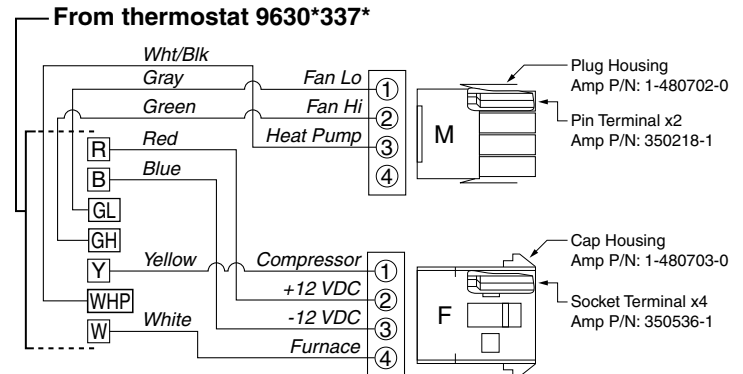
1. Locate the thermostat on an inside wall about five feet above the floor. Pick a dry area where air circulation is good.
2. Do not install thermostat where there are unusual heating conditions, such as direct sunlight, near heat producing appliances (televisions, radio, wall lamp, etc.), or a furnace or air conditioner supply register.

### B. INSTALLING THE THERMOSTAT

1. Place mounting screw template against the wall where thermostat will be mounted.
2. Using supplied screws, mount the template to the wall.
3. Remove plastic from between mounting screws.
4. Connect thermostat wiring to motorcoach wiring.
5. Place thermostat on mounting screws and gently push the thermostat down to lock the thermostat onto mounting screws.
6. Turn on power to the thermostat.



## Wiring Diagrams



## Button Functions



- UP** – Wake thermostat and increase temperature
- DOWN** – Wake thermostat and decrease temperature
- MODE** – Wake thermostat, change mode

**\*\* Note:** Hold mode button down for 5 seconds. The thermostat will change from fahrenheit to celsius or celsius to fahrenheit. The backlight will turn off after five seconds.

## Operation Chart

The chart below shows the system functions. After the entire air conditioning and heating system is installed, check each position function.

	Mode	Call	Operation
1	Fan Low	No	GL-Fan Low (Gray) energized
2	Fan Hi	No	GH-Fan High (Green) energized
3	Cool On High	No	GH-Fan High (Green) energized
4	Cool On High	Yes	GH-Fan High (Green) energized, Y-Compressor (Yellow) energized
5	Cool On Low	No	GL-Fan Low (Gray) energized
6	Cool On low	Yes	GL-Fan Low (Gray), Y-Compressor (Yellow) energized
7	Cool Auto low	No	No function occurs
8	Cool Auto low	Yes	GL-Fan Low (Gray) energized, Y-Compressor (Yellow) energized
9	Cool Auto High	No	No function occurs
8	Cool Auto High	Yes	GH-Fan High (Green), Y-Compressor (Yellow) energized
9	Heat Gas	No	No function occurs
10	Heat Gas	Yes	W-Furnace (White) energized
11	Electric Heat	No	No functions occur in this mode
12	Electric Heat	Yes	WHP - Heat Pump (White/Black) will be energized
13	Electric Heat Backup	Yes (5° Below Setpoint)	WHP - Heat Pump (White/Black) and WF-Furnace (White) will be energized

\*There is a 3 minute anti-short cycle delay timer built into the thermostat.

## Conditions of Heat Pump Lockout

Setpoint (°F)	Indoor Temperature (°F)	Operation of Unit
70	70+	No operation.
	69	Heat pump turns on as primary heat source.
	71	Heat pump turns off--thermostat is satisfied.
	69	Heat pump turns on as primary heat source.
	65	Gas heat turns on at 5 degrees from first stage (heat pump cannot satisfy demand). <b>First Strike on backup counter.</b>
	71	Gas heat and heat pump turn off, thermostat is satisfied.
	69	Heat pump turns on.
	65	Gas heat turns on at 5 degrees below first stage (heat pump cannot satisfy demand). <b>Second Strike on backup counter.</b>
	71	Gas heat and heat pump turn off, thermostat is satisfied.
	69	Heat pump turns on.
	65	Gas heat turns on at 5 degrees from first stage (heat pump cannot satisfy demand). <b>Third Strike on backup counter. Heat pump is locked out for 1 hr. 45 min.</b>
<b>Backup counter reset if heat pump runs for 20 minutes with no call for back up heat.</b>		
	71	Gas furnace turns off, thermostat is satisfied.
	69	Gas furnace turns on—primary heat source during lockout.
	71	Gas furnace turns off, thermostat is satisfied.
<b>1 hour 45 minute lockout ends.</b>		
	69	Heat pump turns on and is restored to the primary heat source.
	65	Gas furnace turns on and becomes the primary heat source. Heat pump turns off for another 1 hour and 45 minutes.
	71	Gas furnace turns off, thermostat is satisfied.
<b>1 hour 45 minute lockout ends.</b>		
	69	Heat pump turns on and resumes primary heat source function.
	71	Heat pump turns off, thermostat is satisfied.
<b>Conditions and example for resetting the backup counter</b>		
	69	Heat pump turns on.
	65	Gas heat turns on at 5 degrees from first stage (heat pump cannot satisfy demand). <b>First Strike on backup counter.</b>
	71	Gas heat and heat pump turn off, thermostat is satisfied.
	69	Heat pump turns on.
	65	Gas heat turns on at 5 degrees from first stage (heat pump cannot satisfy demand). <b>Second Strike on backup counter</b>
	71	Gas heat and heat pump turn off, thermostat is satisfied.
	69	Heat pump turns on and runs for 20 minutes without a call for backup heat.
	71	Heat pump turns off, thermostat is satisfied (backup counter reset).
	69	Heat pump turns on.
	65	Gas heat turns on at 5 degrees from first stage (heat pump cannot satisfy demand). <b>First strike on backup counter</b>
<b>Backup timer will reset anytime the Heat Pump operates for more than 20 minutes and satisfies the thermostat without calling for backup heat.</b>		