



Time Tested • Time Proven

855286-04 02.15

Spare Tire Carrier
part number 195225, U.S. patent 8,720,760

Assembly and operating instructions

All specifications are subject to change without notice.

ROADMASTER, Inc. 6110 NE 127th Ave. Vancouver, WA 98682 800-669-9690 Fax: 360-735-9300 www.roadmasterinc.com

CAUTION

Read all instructions before assembling or operating this device. Failure to understand how to properly assemble or operate the spare tire carrier could result in extensive property damage or severe personal injury.



Assembly instructions

Tools required

Socket wrenches in the following sizes: 3/4"; 13/16"; 7/8"; 15/16"; and 1-1/8"

1. Slide the base assembly (Figure 1) into the motorhome hitch receiver until one of the two pre-drilled hitch receiver bolt holes (Figure 1) aligns to the corresponding hole in the hitch receiver.

WARNING

Do not use the spare tire carrier if any part of the second hitch receiver bolt hole is over the lip of the hitch receiver, as shown in Figure 2. Over time, this will cause the shank of the spare tire carrier base to break at that point.

If the spare tire carrier cannot be attached in any other way, call ROADMASTER – a base with a single receiver bolt hole (part number 195225-10) is available.

Failure to follow these instructions will result in property damage, personal injury or even death.

2. Use the 15/16" socket wrench to attach the 3" hitch receiver mounting bolt (Figure 1). Secure it with the hairpin clip.

3. Position the wheel mount (Figure 1) on top of the base assembly as shown in Figure 1.

Attach the 4" pivot bolt – use the 3/4" flat washer and both of the 3/4" inner diameter plastic

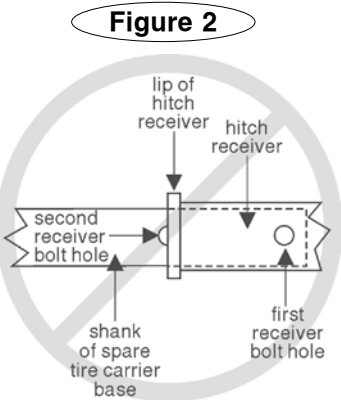


Figure 2

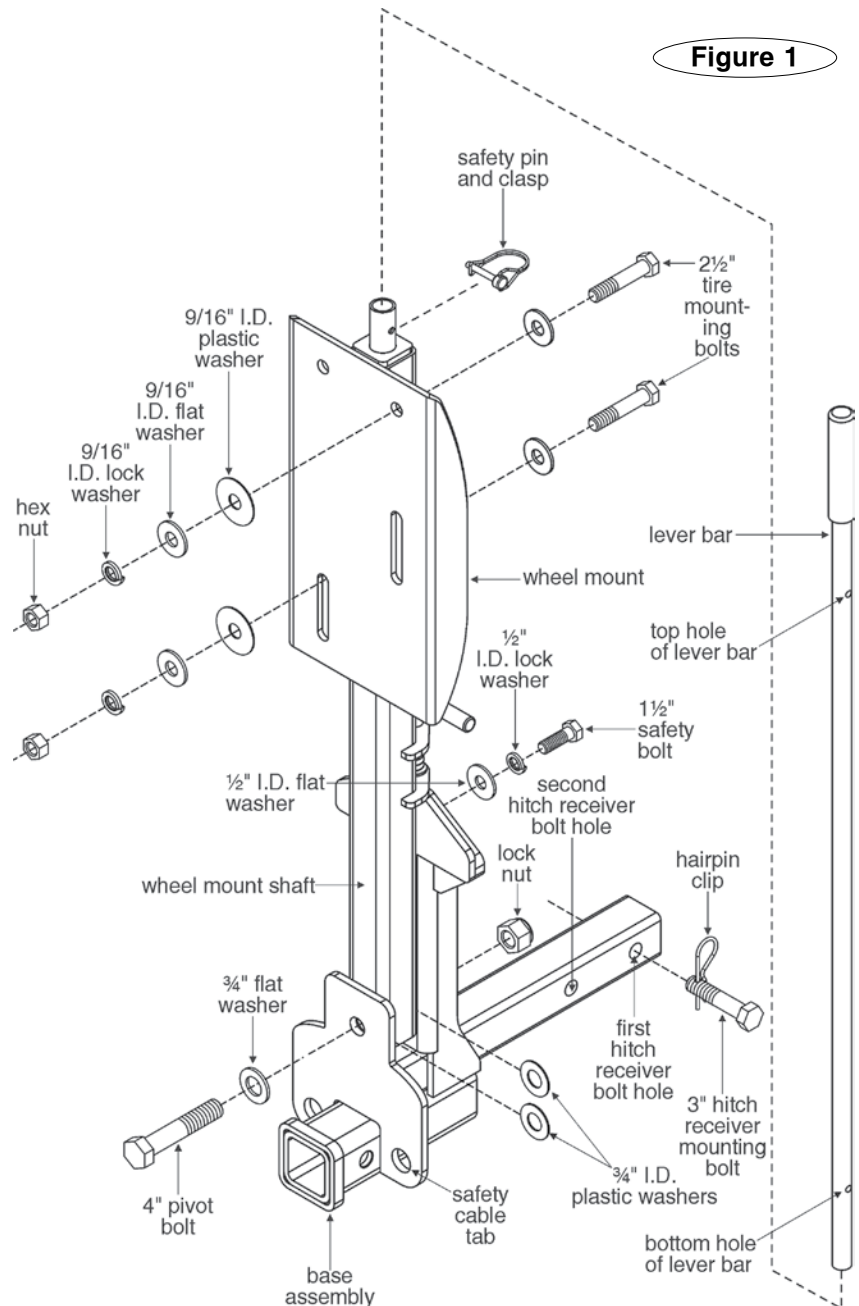


Figure 1

washers (one on either side of the wheel mount shaft) and secure the bolt with the lock nut, using the 1-1/8" socket wrench.

CAUTION

Hold the wheel mount in place until it is secured. The wheel mount is heavy and can cause property damage or severe personal injury if it is allowed to fall.

continued on next page

continued from preceding page

Note: there are two sizes of plastic washers in this kit. Although they look the same, one set has an inner diameter of $\frac{3}{4}$ " and the other has an inner diameter of $\frac{9}{16}$ ".

4. Attach the safety bolt with the $\frac{3}{4}$ " socket wrench, and tighten the bolt until the lock washer is compressed.

Note: if you will be installing a spare tire at this time, do not attach the safety bolt.

CAUTION

DO NOT DRIVE THE MOTORHOME WITHOUT THE SAFETY BOLT IN PLACE. The safety bolt will hold the wheel mount shaft upright if the locking mechanism should fail. Property damage, personal injury or other consequential, non-warranty damage can occur if the locking mechanism fails and the safety bolt is not attached.

Spare tire installation

5. Remove the safety bolt (if it is attached).

Insert the lever bar and pin the bottom hole of the bar to the wheel mount shaft with the safety pin and clasp, as shown in Figure 1.

Lift the release handle (Figure 3) until it clears the retaining slot (Figure 3). Holding the lever bar, swing the spare tire carrier to the ground.

CAUTION

Be careful when lowering the spare tire carrier. Property damage or severe personal injury can result if it is allowed to fall.

6. Roll the spare tire up to the spare tire carrier.

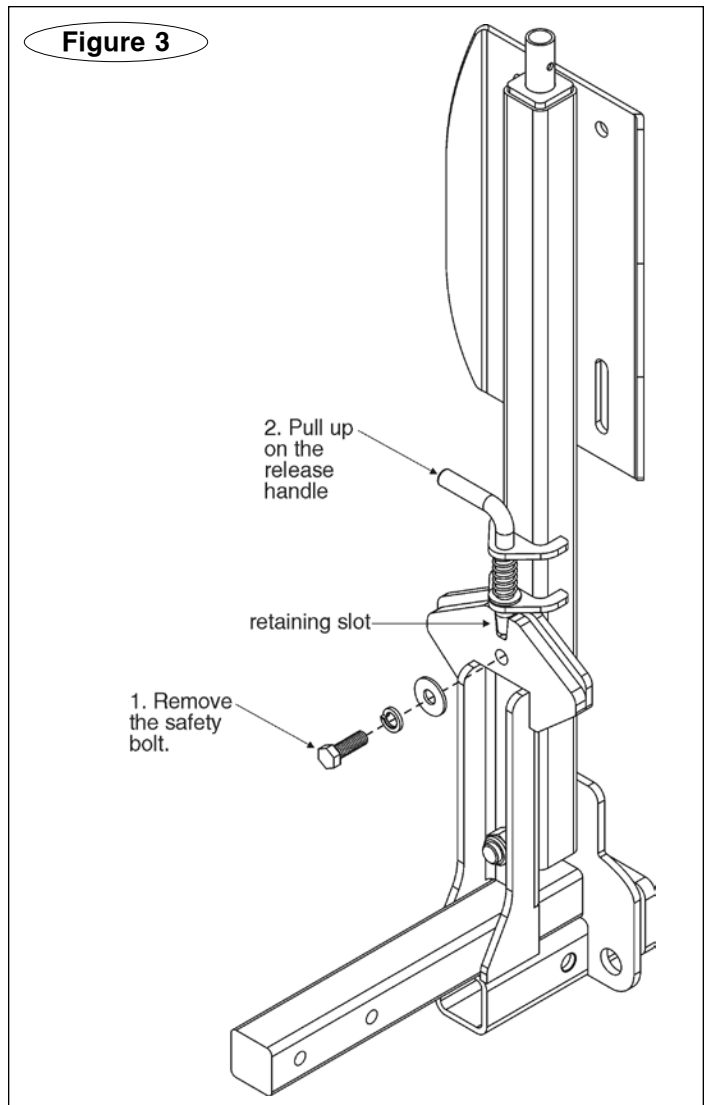
Align the two lug holes in the wheel which are most opposite each other to the corresponding slots in the wheel mount.

7. As shown in Figure 1, fasten the $\frac{9}{16}$ " inner diameter plastic washers, flat washers, lock washers and hex nuts to the $2\frac{1}{2}$ " tire mounting bolts.

Position the $\frac{9}{16}$ " inner diameter plastic washers directly against the spare tire carrier. Position the flat washers, lock washers and hex nuts on the other side of the wheel.

Use the $\frac{13}{16}$ " and $\frac{7}{8}$ " socket wrenches to attach the hex nuts and $2\frac{1}{2}$ " tire mounting bolts.

Note: the lug holes in the wheel may be much larger than



the bolts. However, the wheel will still be held securely in place as long as the washers cover the lug bolt holes.

CAUTION

Position the plastic washers directly against the spare tire carrier. This will help protect the wheel from any marring. Failure to follow these instructions may cause scratches and other non-warranty damage to the wheel.

continued on next page

Safety Definitions

These instructions contain information that is very important to know and understand. This information is provided for **safety** and to **prevent equipment problems**. To help recognize this information, observe the following symbols:

WARNING

WARNING indicates a potentially hazardous situation which, if not avoided, could result in property damage, serious personal injury or even death.

CAUTION

CAUTION indicates a potentially hazardous situation which, if not avoided, may result in property damage, or minor or moderate personal injury.

CAUTION

CAUTION used without the safety alert symbol indicates a potentially hazardous situation which, if not avoided, may result in property damage.

NOTE

Refers to important information and is placed in italic type. It is recommended that you take special notice of these items.

continued from preceding page

8. Make certain that the bottom hole of the lever bar is secured to the wheel mount shaft with the safety pin and clasp. Then use the lever bar to raise the spare tire carrier up to the vertical position.

If necessary, pull up on the release handle until it drops into the retaining slot.



CAUTION

Do not let go of the spare tire carrier until the release handle drops into position. The carrier and spare tire are heavy and can cause property damage or severe personal injury if they are allowed to fall.

9. Unpin the lever bar and let it slide inside the wheel mount shaft; reattach the safety pin and clasp to the top hole (Figure 1).

10. Attach the safety bolt.



CAUTION

DO NOT DRIVE THE MOTORHOME WITHOUT THE SAFETY BOLT IN PLACE. The safety bolt will hold the wheel mount shaft upright if the locking mechanism should fail. Property damage, personal injury or other consequential, non-warranty damage can occur if the locking mechanism fails and the safety bolt is not attached.

Safety cable attachment

11. When towing, the safety cable tabs (Figure 1) on either side of the spare tire carrier can be used to attach the safety cables.

Maintenance

12. At the beginning of each towing season, check to ensure that all fasteners are tight.



WARNING

Using the spare tire carrier will decrease the weight capacity of the vehicle's hitch receiver by one third. This lowered capacity must still be more than the weight of a towed vehicle or hitch accessory attached to the spare tire carrier.

If it is not, replace the hitch receiver with one that has the appropriate weight capacity. Otherwise, structural failure will occur.

Failure to follow these instructions will result in property damage, personal injury or even death.



WARNING

The spare tire carrier has a maximum carrying capacity of 10,000 pounds and a maximum tongue weight of 400 pounds (excluding the weight of the wheel and carrier). Do not exceed these weight capacities or structural failure will occur.

Failure to follow these instructions will result in property damage, personal injury or even death.

If a longer power cord or longer safety cables are necessary...

Hitch accessories such as the spare tire carrier will extend the length of the towing system. If your power cord or safety cables are now too short, longer versions are available.

Call or click (800-669-9690; roadmasterinc.com) for more information.

Item	Qty.	Part Number	Part Description
1	1	350185-00	3/4-10 x 4" grade 5 bolt
2	1	350265-00	3/4-10 nylon lock nut
3	1	A-004641B	lever bar
4	4	357036-00	3/16" hairpin clip
5	2	350216-25	9/16-12 x 2 1/2" grade 5 bolt
6	2	350260-00	9/16-12 hex nut
7	2	350311-10	9/16" inner diameter lock washer
8	2	350372-60	9/16" inner diameter plastic washer
9	4	350347-00	9/16" inner diameter USS flat washer
10	1	A-004634	5/8-11 x 3" grade 8 bolt
11	1	350314-20	3/4" SAE washer
12	1	357000-50	1/4" safety pin and clasp
13	1	350095-00	1/2-13 x 1 1/2" grade 5 bolt
14	2	350358-00	3/4" inner diameter plastic washer
15	1	350309-00	1/2" inner diameter lock washer
16	1	350308-00	1/2" inner diameter flat washer
17	1	200085-50	lever grip

