

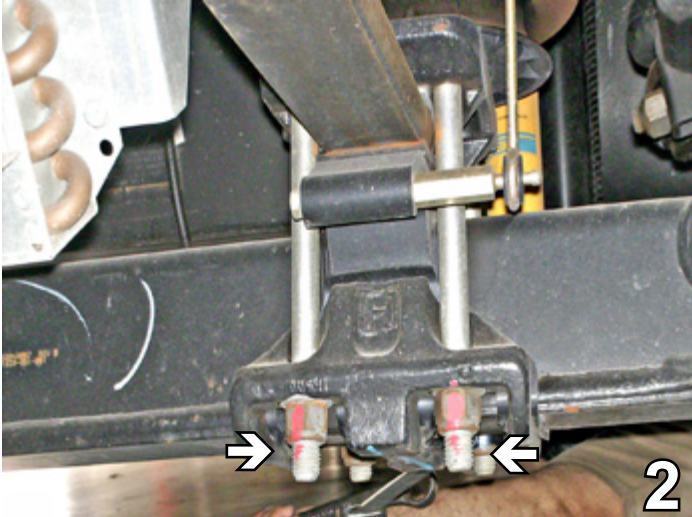


Installation Instructions TC5808 Bracket Kit

Serial Number

The TC35270 steering control is recommended for use with this bracket kit.

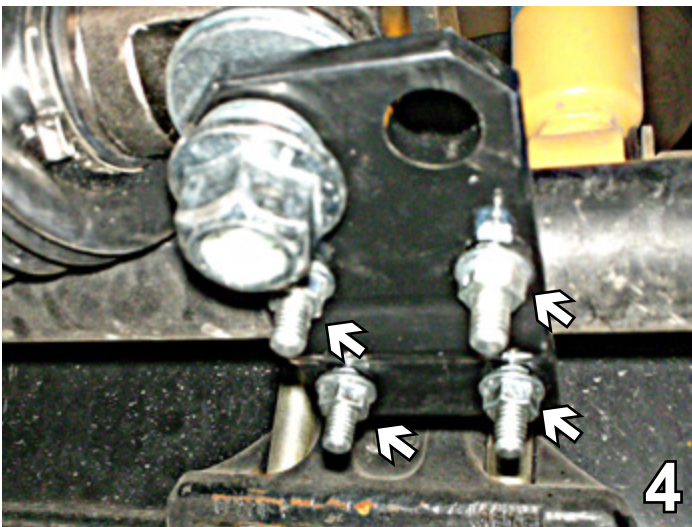
1. Set front wheels of vehicle in straight ahead position.



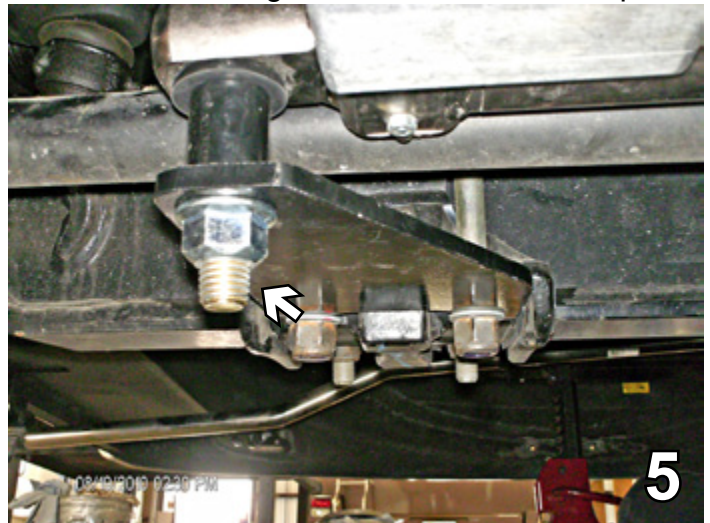
2. Using a 1-1/2" socket, remove two (2) bolts and nuts from shock mount bar on the driver's side.



3. Slide the Anchor Bracket (Item 3) on the axle on the driver's side getting past the leaf spring. The plate offsets toward the center of the vehicle. Reinstall the existing washers and nuts and tighten to manufacturers specs.



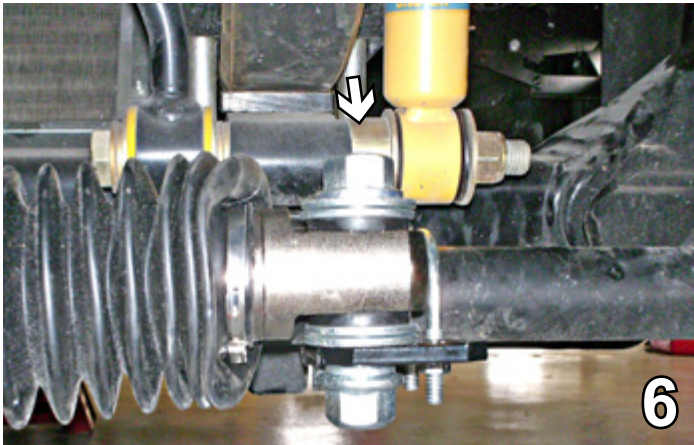
4. Install Tie Rod Bracket (Item 4) on the passenger's side tie rod using Items 10 or 11 (choose the appropriate U-Bolts for your application), according to drawing on page #3. **DO NOT TIGHTEN.** *Item 4 may be rotated or flipped to insure Steering Control (Item 1) remains parallel to the ground.*



5. Install solenoid end of Item 1 to back of Anchor Bracket (Item 3) with 3/4"-10 x 5" bolt, 1-1/2" tube spacer, 3/4" flat washers and 3/4"-10 flange nut (Items 5, 6, 8 and 9), according to drawing on page #3. Tighten to 180-200 ft/lbs of torque. **NOTE:** Angled edge of Anchor Bracket should always be installed toward the outside of the chassis.



Installation Instructions TC5808 Bracket Kit



6. Install small end of TruCenter unit (Item 1) to top of Tie Rod Bracket (Item 4) with 3/4"-10 x 3-1/2" bolt, 3/4" flat washers and 3/4"-10 flange nut (Items 7, 8 and 9), see drawing on page 3. Allow enough slack for the Tie Rod Bracket (Item 4) to rotate to for alignment to the tie rod. DO NOT FULLY TIGHTEN.

Note: Check to be sure installed unit clears all other parts of vehicle by turning steering wheel to both extreme right and left positions. If unit scrapes or binds at any point, make necessary corrections by rotating unit on tie rod to obtain necessary clearance. It may also be necessary to dump the air from the air suspension to insure that the RV's trac bar and fuel tank do not come in contact with the TruCenter. If needed the solenoid end of TruCenter can then be mounted on the opposite side of Item 1.

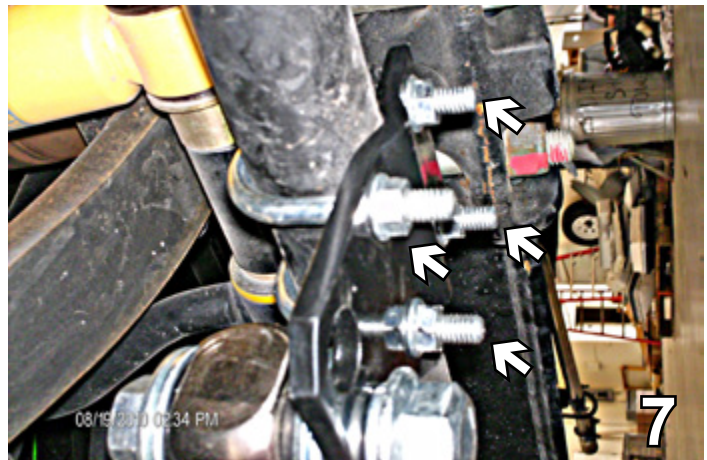
9. Install TruCenter Steering Control wiring according to instructions included in its package.

10. DEALER OR INSTALLER: BE CERTAIN USER RECEIVES INSTRUCTION SHEET.

Insure that you use the proper TruCenter steering control unit for your application. Using too strong or too weak of a steering control may result in improper or undesirable handling.

Product Safety Policy Statement

It is, and shall continue to be, a primary objective of Blue Ox Towing Products to provide customers with safe and reliable products. Blue Ox will, and has, established safety procedures in product design, manufacture, promotion and sales; and will coordinate efforts to promote customer safety to the greatest extent possible. Each department has primary responsibility for the promotion of safety under the guidelines of the Product Safety Committee.



7. Tighten U-bolts (Item 10 or 11) on the Tie Rod Bracket (Item 4) to 25-35 ft/lbs of torque, while maintaining an even amount of threads extending past each nut.
8. Tighten bolt, washers and nut (Items 7, 8, and 9) on the Tie Rod Bracket (Item 4) to 180-200 ft/lbs of torque.

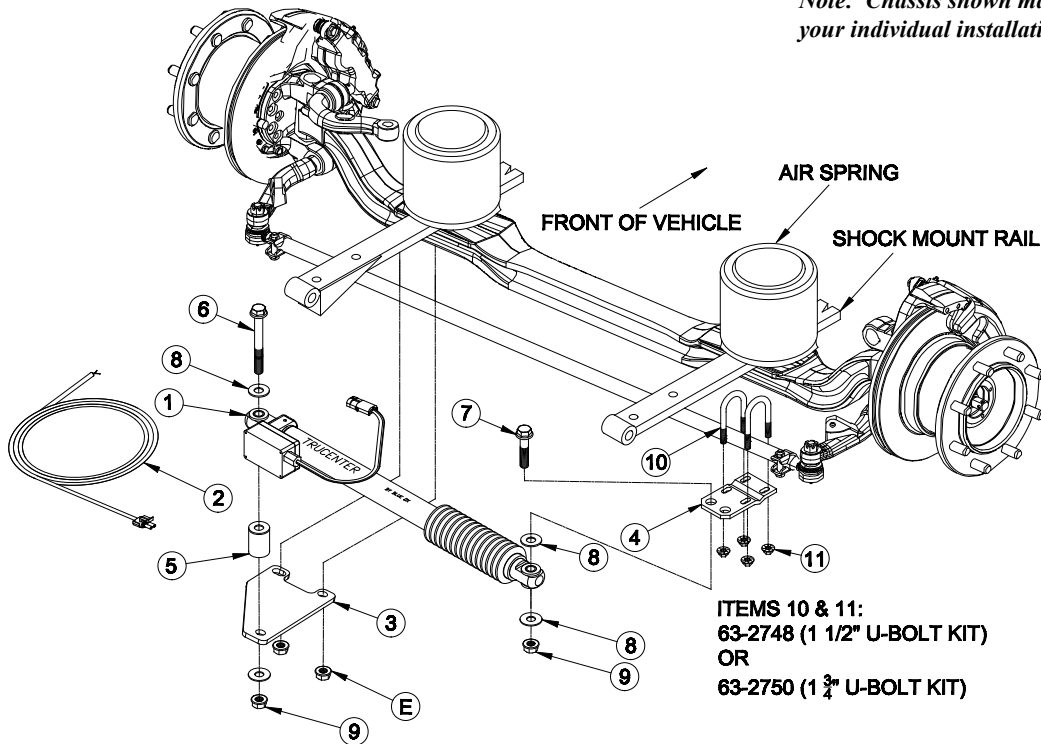




Installation Instructions

TC5808 Bracket Kit

Note: Chassis shown may vary slightly from your individual installation.



ITEMS 10 & 11:
63-2748 (1 1/2" U-BOLT KIT)
OR
63-2750 (1 3/4" U-BOLT KIT)

Parts List

Ref. No.	Qty.	Part No.	Description
1*	1	TC35270	TruCenter Steering Control
2*	1	62-3631	TruCenter Weather Tight Cord Assembly
3	1	101-7576	TC5808 Anchor Bracket Plate
4	1	102-6343	206 Tie Rod Bracket
5	1	107-2678	1-1/2" x 7/32" x 1-1/2" Spacer Tube
6	1	201-0347	3/4"-10 x 5" Hex Bolt, Grade 8
7*	2	201-0780	3/4"-10 x 3-1/2" 1.59IN Flange Bolt
8*	8	203-0007	3/4" Flat Washer, ZP
9*	2	202-0074	3/4"-10 Flange Whiz Lock Nut
10	1	63-2748	1-1/2" U-Bolt Kit
11	1	63-2750	1-3/4" U-Bolt Kit
E	2		Existing Hardware

*Items are purchased separately in the TC35270 steering control kit.

IMPORTANT: Use only genuine factory replacement parts on your bracket kit. Do not substitute homemade or nontypical parts. If a bolt is lost or in need of replacement, for your safety and the preservation of your bracket kit, be sure to use a replacement bolt of the same grade. Repair parts may be ordered through your nearest **Blue Ox** dealer or distributor.

If the TruCenter is in an accident, it must be replaced. **DO NOT** use it again! An accident can cause unseen damage and using it again could result in more damage or serious injury. **DO NOT** use the TruCenter if it is damaged or missing parts.



© 2012 Blue Ox
One Mill Road, Industrial Park
Pender, Nebraska 68047
Phone: (402) 385-3051
Fax: (402) 385-3360
www.blueox.com