



Installation Instructions TC6602 Bracket Kit

Serial No.

The TC35270 steering control unit is recommended for use with this bracket kit.

1. Set front wheels of vehicle in straight ahead position.
2. Install Item 2 on to jack pad using Items 10 and 11, see drawing on page 2.
3. Install Item 3 on tie rod using Items 4 and 7 (choose the appropriate U-Bolts for your application), according to drawing on page 2. *DO NOT TIGHTEN. Item 3 may be rotated or flipped to insure steering control (Item 1) remains parallel to the ground.*
4. Install solenoid end of Item 1 to top of Anchor Bracket (Item 2) with Items 5, 6, 8 and 9, according to drawing on page 2.
5. Install small end of TruCenter unit (Item 1) to top of Tie Rod Bracket with Items 5, 6, 8 and 9, see drawing on page 2. Allow enough slack for the Tie Rod Bracket (Item 3) to rotate for alignment to the tie rod. *DO NOT FULLY TIGHTEN.*
6. Tighten Items 5, 6, 8, and 9 on Anchor Bracket (Item 2) to 180-200 ft/lbs of torque.
7. Rotate Item 3 around tie rod so that small diameter end of the TruCenter unit is 1/2" lower than the large diameter end of the unit.
8. Tighten Items 4 and 7 on the Tie Rod Bracket (Item 3) to 25-35 ft/lbs of torque, while maintaining an even amount of threads extending past each nut.
9. Tighten Items 5, 6, 8, and 9 on the Tie Rod Bracket (Item 3) to 180-200 ft/lbs of torque.

Check to be sure installed unit clears all other parts of vehicle by turning steering wheel to both extreme right and left positions. If unit scrapes or binds at any point, make necessary corrections by rotating unit on tie rod to obtain necessary clearance.

10. Install TruCenter Steering Control wiring according to instructions included in its package.

11. DEALER OR INSTALLER: BE CERTAIN USER RECEIVES INSTRUCTION SHEET.

Insure that you use the proper TruCenter steering control unit for your application. Using too strong or too weak of a steering control may result in improper or undesirable handling.

Product Safety Policy Statement

It is, and shall continue to be, a primary objective of Blue Ox Towing Products to provide customers with safe and reliable products. Blue Ox will, and has, established safety procedures in product design, manufacture, promotion and sales; and will coordinate efforts to promote customer safety to the greatest extent possible. Each department has primary responsibility for the promotion of safety under the guidelines of the Product Safety Committee.

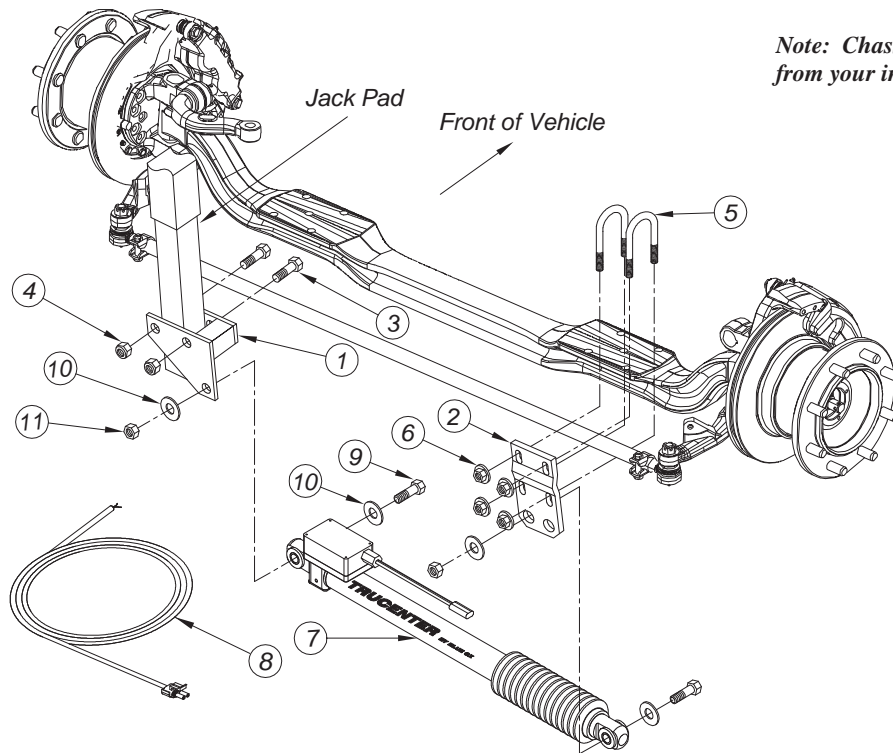
© 2008 Blue Ox
One Mill Road, Industrial Park
Pender, Nebraska 68047
Phone 402-385-3051
Toll Free 888-425-5382
Fax 402-385-3360
www.blueox.us

Tools Required

9/16" Socket

1 1/8" Socket

1 1/8" Wrench



Note: Chassis shown may vary slightly from your individual installation.

Parts List

Ref. No.	Qty.	Part No.	Description
1	1	61-6571	WLDMT,BRKT, MCI BUS, 2.5" JACK PAD
2	1	102-6343	BRKT, TIE ROD, 206
3	2	201-0615	3/4-16 X 4 1/2 HEX BOLT, GRD. 5
4	2	202-0168	3/4-16 STOVER LOCK NUT ZP
5	2	201-0715	U-BOLT, 3/8-16 X 1.375 GR5 ZP
5	2	201-0716	U-BOLT, 3/8-16 X 1.50 GR5 ZP
5	2	201-0717	U-BOLT, 3/8-16 X 1.625 GR5 ZP
5	2	201-0718	U-BOLT, 3/8-16 X 1.75 GR5 ZP
6	12	202-0174	3/8-16, CENT. DIMP. FLNG, NUT, ZP
7*	1	TC35270	TRUCENTER STEERING 35IN. X 270 LBS
8*	1	63-2729	KIT, ELEC., STEERING CONTROL
9*	2	201-0780	BOLT, 3/4-10 X 3 1/2, 1.59IN FLANGE
10*	8	203-0007	3/4 FLAT WASHER, ZP
11*	2	202-0180	NUT,3/4-10, 1.59 FLANGE, GRD. 8, ZP

*Items 7 - 11 come with TC35270.

IMPORTANT: Use only genuine factory replacement parts on your bracket kit. Do not substitute homemade or nontypical parts. If a bolt is lost or in need of replacement, for your safety and the preservation of your bracket kit, be sure to use a replacement bolt of the same grade. Repair parts may be ordered through your nearest **Blue Ox** dealer or distributor.



© 2008 Blue Ox
 One Mill Road, Industrial Park
 Pender, Nebraska 68047
 Phone 402-385-3051
 Toll Free 888-425-5282
 Fax 402-385-3360
www.blueox.us