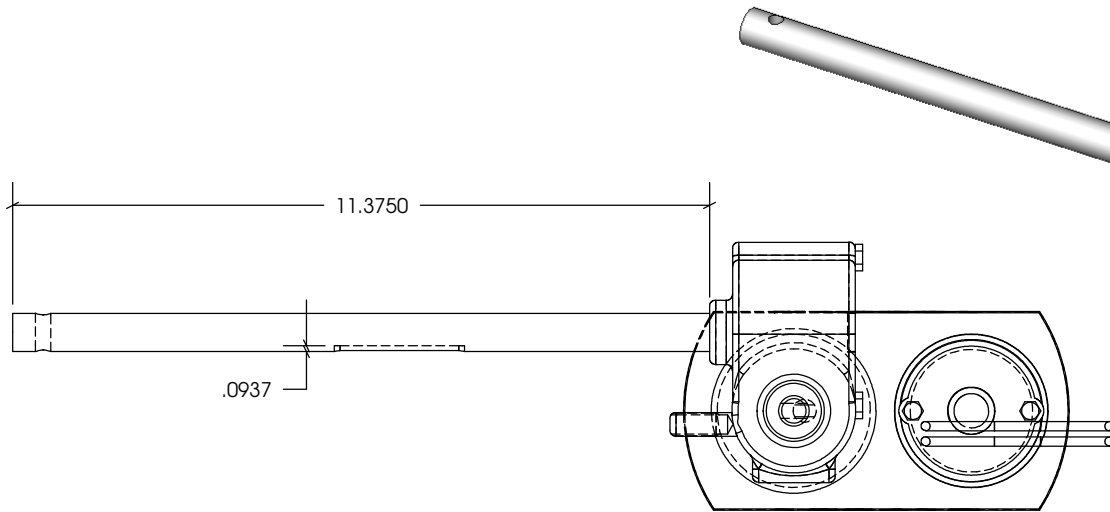
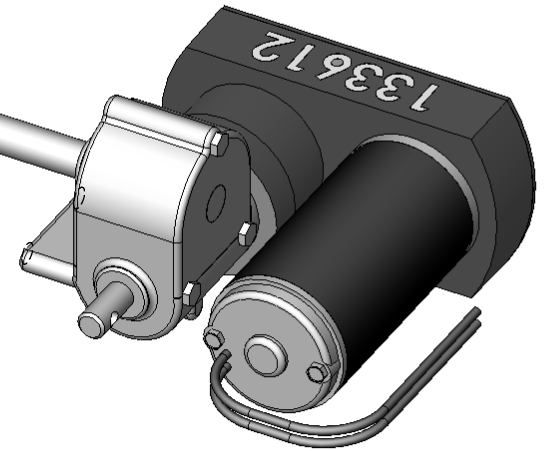


18:1 MOTOR/DRIVESHAFT W/RIGHT ANGLE GEAR BOX

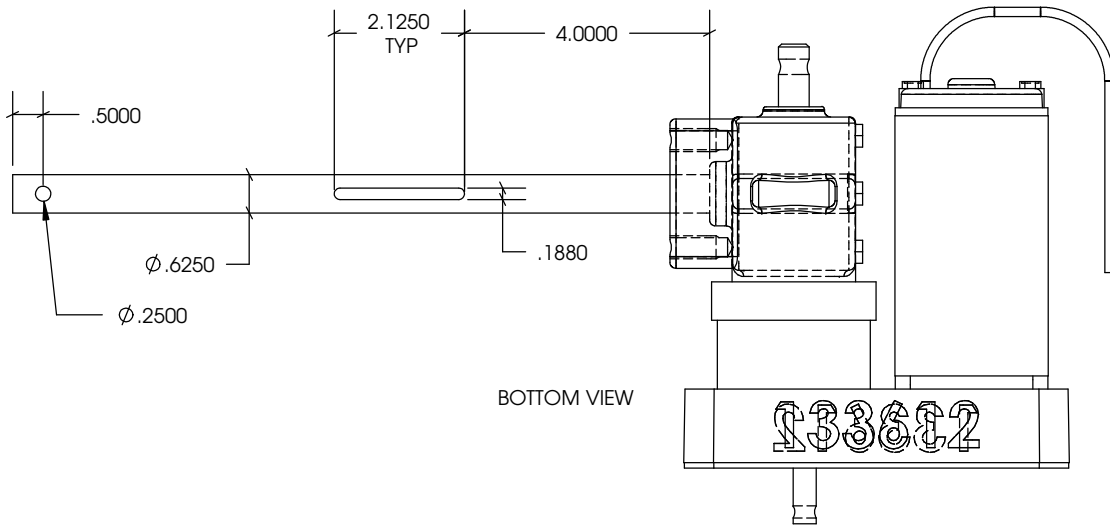
133612



FRONT VIEW



ISOMETRIC VIEW




BOTTOM VIEW

REVISIONS			
REV.	DATE	INIT.	DESCRIPTION
B	7/2/2007	ENG	UPDATED DESCRIPTION TO MATCH NAVISION
C	11/5/2007	AM	MODIFY DESCRIPTION AND CHANGE IDENTIFIER ON MOTOR FROM NAME TO #
D	5/15/2008	GR	CHANGED LENGTH OF SHAFT AND DELETED 2ND NOTCH CHANGED 1ST

DRAWN BY:	NAME JWM	DATE 08/08/06	DRAWING NOTES: DIMENSIONS ARE IN INCHES TOLERANCES: FRACTIONAL: +/- 1/32" .XX: +/- 0.03 .XXX: +/- 0.010 ANGLE: +/- 1 DEGREE	PROPRIETARY AND CONFIDENTIAL THE INFORMATION CONTAINED IN THIS DRAWING IS THE SOLE PROPERTY OF LIPPERT COMPONENTS, INC. ANY REPRODUCTION IN PART OR AS A WHOLE WITHOUT THE WRITTEN PERMISSION OF LIPPERT COMPONENTS, INC. IS PROHIBITED.
APPROVED BY:				

LIPPERT
LIPPERT COMPONENTS, INC.
A Lippert Components Subsidiary



2703 College Ave.
Goshen, IN 46528
(574) 535-1125 Phone
(574) 975-2883 Fax

DWG. NO.	133612	REV.	D
SCALE: 1:3		PAGE: 1 OF 1	