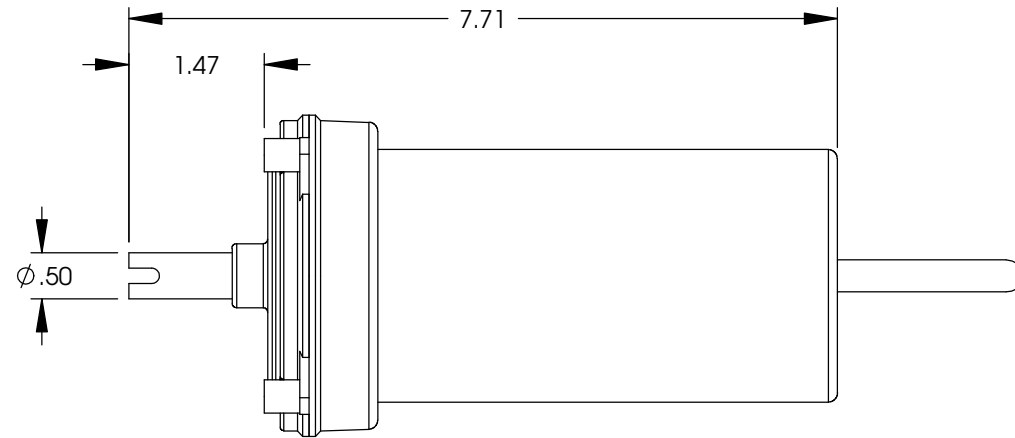
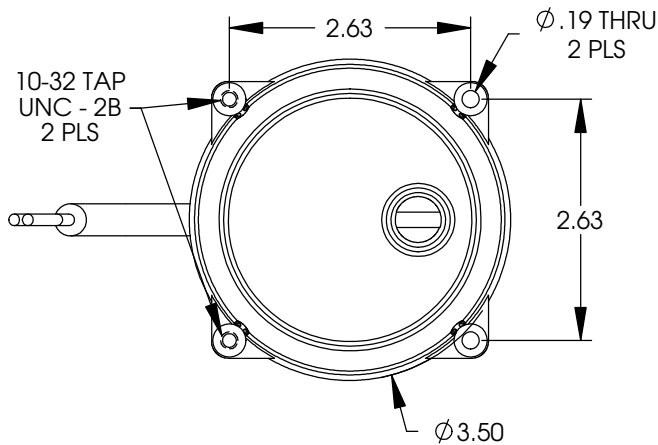
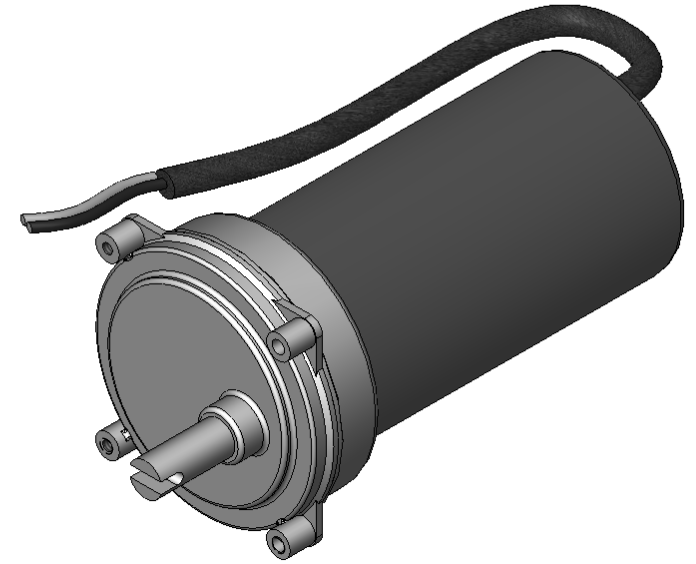


NOTES:

1. MECHANICAL SPECIFICATIONS
 HORSE POWER: 1/6
 GEAR RATIO: 57.5:1
 TORQUE: 3.5 - 4.4 IN-LBS
2. ELECTRICAL SPECIFICATIONS
 REQUIRED AMPS: 2 AMP MIN - 20 AMP MAX
 REQUIRED VOLTS: 12 VDC
 REQUIRED WATTS: 120 W

REV.		DATE	REVISIONS DESCRIPTION	DWR	APVD
B		8/17/2007	UPDATED NAME		
C		10/24/2012	UPDATED PRINT & ADDED SPECS	RAW	BW
D		2/25/2014	DESCRIPTION UPDATE	MTH	SG



TITLE: MOTOR 1/6 HP (C-800)					
UNLESS OTHERWISE SPECIFIED ALL DIMENSIONS ARE IN INCHES BREAK SHARP EDGES & DEBURR		TOLERANCES (EXCEPT AS NOTED)		LIPPERT COMPONENTS	
FILLETS R.015		FINISH 125		THE INFORMATION CONTAINED IN THIS DRAWING IS THE SOLE PROPERTY OF LIPPERT COMPONENTS, INC. ANY REPRODUCTION IN PART OR AS A WHOLE WITHOUT THE WRITTEN PERMISSION OF LIPPERT COMPONENTS, INC. IS PROHIBITED.	
THIRD ANGLE PROJECTION		DECIMAL .X \pm .1 .XX \pm .03 .XXX \pm .005		DWG. NO. 138445	DATE: 08/17/2007
ANGULAR \pm 1°		FRACTIONAL \pm 1/16		SIZE A	REV. D
2703 COLLEGE AVE. GOSHEN, IN 46528		SCALE: 1:2		ENG. RAW	DWN. RAW
				SHEET 1	OF 1