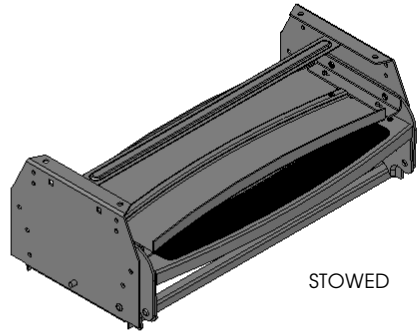
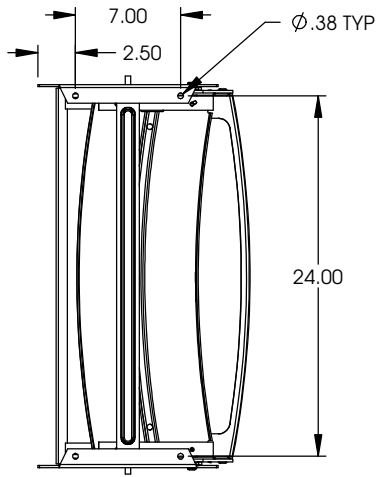


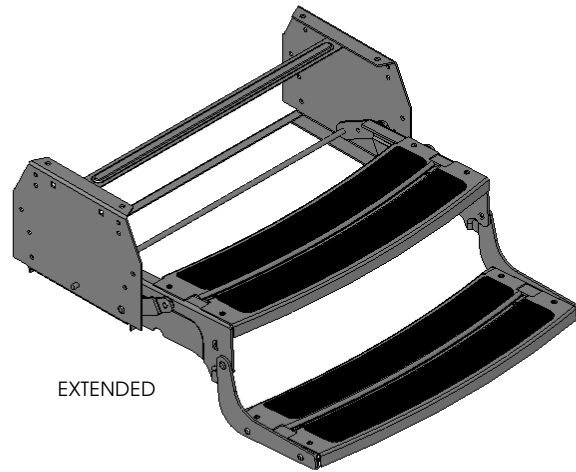
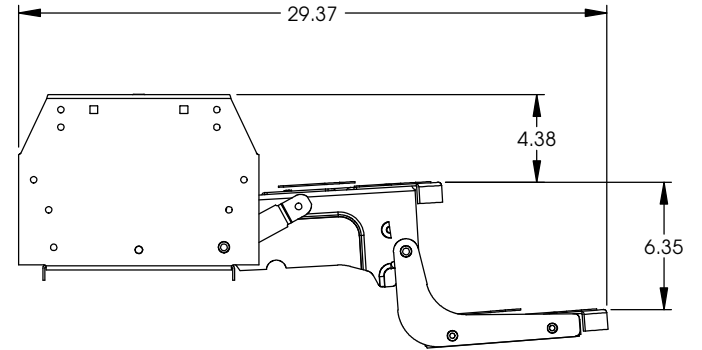
NOTES:

1. INCLUDES TREAD TAPE - 2 PER STEP
2. ALL DIMENSIONS ARE REFERENCE
3. 235454 - BLACK TAPE
4. 2354541 - GREY TAPE

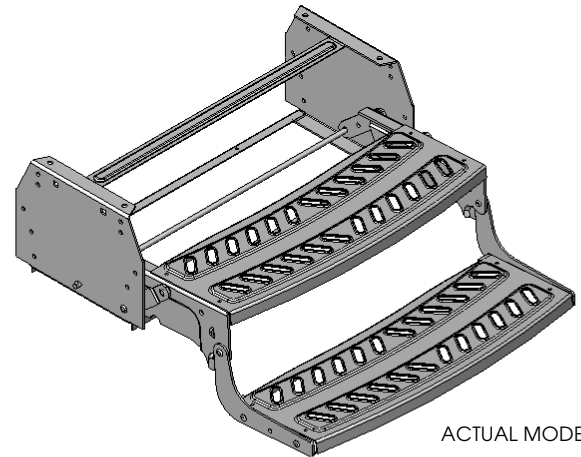
REVISION HISTORY				
REV	DATE	DESCRIPTION	DWR	APVD
D	10/17/2013	ADDED PRODUCTION CONFIG	MTH	
E	6/4/2014	UPDATED DESCRIPTION	MTH	KB
F	11/14/2014	INCREASED TOP STRAP GA FROM .076 TO .093 ECN-SP-DE-13424	KSW	DC
G	11/24/2014	RETURN PART BACK TO REVISION E PER ECN-SP-DE-13643	KSW	



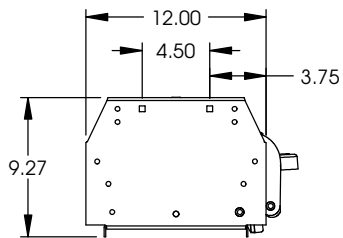
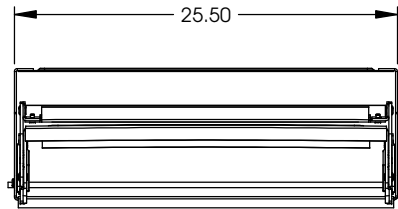
STOWED



EXTENDED



ACTUAL MODEL



TITLE: STEP, 24" RADIUS DOUBLE					
UNLESS OTHERWISE SPECIFIED ALL DIMENSIONS ARE IN INCHES BREAK SHARP EDGES & DEBURR		TOLERANCES (EXCEPT AS NOTED)		 LIPPERT COMPONENTS 2703 COLLEGE AVE GOSHEN, IN 46528	THE INFORMATION CONTAINED IN THIS DRAWING IS THE SOLE PROPERTY OF LIPPERT COMPONENTS, INC. ANY REPRODUCTION IN PART OR AS A WHOLE WITHOUT THE WRITTEN PERMISSION OF LIPPERT COMPONENTS, INC. IS PROHIBITED.
FILLETS R.015	FINISH 125	DECIMAL X ± 1 XX ± 03 XXX ± 005	DATE: 02/08/2010		REV. G
THIRD ANGLE PROJECTION		FRACTIONAL ± 1/16	SCALE: 1:8	ENG JLC	DWR JLC
		ANGULAR ± 1°	SIZE B	SHEET 1	OF 1