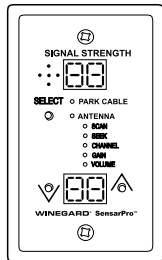


WINEGARD[®] SensorPro[®]



2452217

Included:

- 2 Spade Connectors
- 1 SensorPro Wall Plate
- 4 Mounting Screws
- 1 Instruction Sheet
- 1 Signal Meter Spacer (connected to wall plate)



INSTALLATION INSTRUCTIONS

In many cases, the Winegard SensorPro signal meter will replace an existing RV antenna wall plate power supply. For this reason, both replacement instructions and new installation instructions are provided.

The signal meter spacer is needed for most installations. If using an outlet box, the spacer is not needed.

For more information on how to hook up your SensorPro, visit www.winegard.com/sensarpro

SensorPro Operation Instructions are included on the back of this page.

WARRANTY

WINEGARD MOBILE PRODUCTS LIMITED WARRANTY (2 YEARS PARTS; 1 YEAR LABOR)

Winegard Company warrants this product against defects in materials or workmanship for a period of two (2) years from the date of original purchase. During year one (1) of such warranty, Winegard Company will also pay authorized labor costs to an authorized Winegard dealer to repair or replace defective products. No warranty claim will be honored unless at the time the claim is made, Customer presents proof of purchase to an authorized Winegard dealer (to locate the nearest authorized Winegard dealer, contact Winegard Company, 3000 Kirkwood Street, Burlington, Iowa 52601, Telephone 800-288-8094 or visit www.winegard.com). Customer must provide proof of purchase with a dated sales receipt for the Winegard product to verify the product is under warranty. If the date of purchase cannot be verified, the warranty period shall be considered to begin thirty (30) days after the date of manufacture.

If a defect in material or workmanship is discovered, Customer may take the product to an authorized Winegard dealer for service. Customer must provide proof of purchase to verify the product is under warranty. If the product is brought to an authorized Winegard dealer for service prior to expiration of year one (1) of the warranty period and a defect in material or workmanship is verified by Winegard Technical Services, Winegard Company will cover the Winegard dealer's labor charges for warranty service. The Winegard dealer must contact Winegard Technical Services in advance for pre-approval of the service. Approval of the service is at the sole discretion of Winegard Company.

Alternatively, Customer may ship the product prepaid to Winegard Technical Services (located at 3111 Kirkwood Street, Burlington, Iowa 52601, Telephone 800-788-4417). Customer must return the product along with a brief description of the problem and provide Winegard Technical Services with Customer's name, address, and phone number. Customer must also provide proof of purchase to verify the product is under warranty. If the product is returned before the expiration of the warranty period, Winegard Company will (at its option) either repair or replace the product.

This Limited Warranty does not apply if the product has been damaged, deteriorates, malfunctions or fails from: improper installation, misuse, abuse, neglect, accident, tampering, modification of the product as originally manufactured by Winegard in any manner whatsoever, removing or defacing any serial number, usage not in accordance with product instructions or acts of nature such as damage caused by wind, lightning, ice or corrosive environments such as salt spray and acid rain. This Limited Warranty also does not apply if the product becomes unable to perform its intended function in any way as a result of the television signal provider making any changes in technology or service.

RETURN AUTHORIZATION POLICY

A Return Material Authorization (RMA) is required prior to returning any product to Winegard Company or Winegard Warranty Services under this warranty policy. Please call our Technical Services Department at 800-788-4417 or send an e-mail to warranty@winegard.com to obtain the RMA number. Please furnish the date of purchase when requesting an RMA number. Enclose the product in a prepaid package and write the RMA number in large, clear letters on the outside of the package. To avoid confusion or misunderstanding, a shipment(s) without an RMA number(s) or an unauthorized return(s) will be refused and returned to Customer freight collect.

WINEGARD COMPANY DOES NOT ASSUME ANY LIABILITIES FOR ANY OTHER WARRANTIES, EXPRESS OR IMPLIED, MADE BY ANY OTHER PERSON.

ALL OTHER WARRANTIES WHETHER EXPRESS, IMPLIED OR STATUTORY INCLUDING WARRANTIES OF FITNESS FOR A PARTICULAR PURPOSE AND MERCHANTABILITY ARE LIMITED TO THE TWO YEAR PERIOD OF THIS WARRANTY.

In states that do not allow limitations on implied warranties, or the exclusion of limitation of incidental or consequential damages, the above limitations or exclusions do not apply.

Some states do not allow limitations on how long an implied warranty lasts, or the exclusion of limitation of incidental or consequential damages, so the above limitations or exclusions may not apply to you.

This warranty gives Customer specific legal rights. Customer may also have other rights that may vary from state to state.

Technical Service: 800-788-4417



WINEGARD[®]

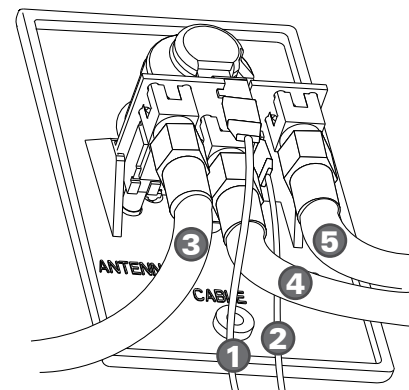
Winegard Company • 3000 Kirkwood St. • Burlington, IA 52601-2000
800/788-4417 • FAX 319/754-0787 • www.winegard.com
Printed in U.S.A. ©2011 Winegard Company 2452217 Rev2 10/11

Winegard and SensorPro are registered trademarks of Winegard Company. www.antennaweb.org and www.tvfool.com are not affiliated with Winegard Company.

Replacing an Existing Wall Plate

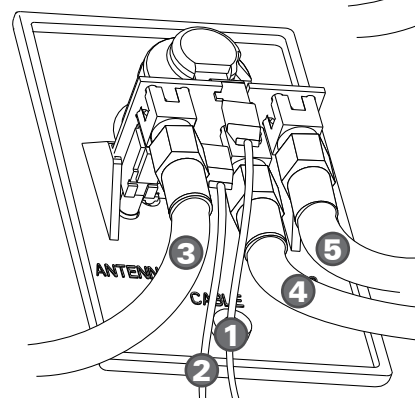
Remove the two screws used to mount the existing wall plate. Once these screws are removed, carefully pull the wall plate far enough from the wall to reach the connections on the back of the wall plate. The back of the wall plate should look similar to one of the wall plates below.

Models before 2010



- 1 = Power
- 2 = Ground
- 3 = Antenna
- 4 = Cable
- 5 = TV2
- 6 = TV1*

Models after 2010



*Some wall plates have a cable coming out of the front of the plate. This is TV1.

Disconnect the 12 VDC power (1) from the existing wall plate, and mark the cable as POWER.

NOTE: not all installations will use red for power and black for ground; therefore, it is important to disconnect the wire shown as POWER (1) on the existing wall plate.

Once the power has been disconnected, mark the cables for ANTENNA, CABLE, TV1, and TV2. With these cables marked, unscrew each of these cables from the existing wall plate, making sure that they do not fall back into the wall.

Finally, disconnect the GROUND (2) from the existing wall plate. Now, nothing should be connected to the wall plate. Set the existing wall plate aside; it is no longer needed. Proceed to **Installing the SensorPro**.

New Installation

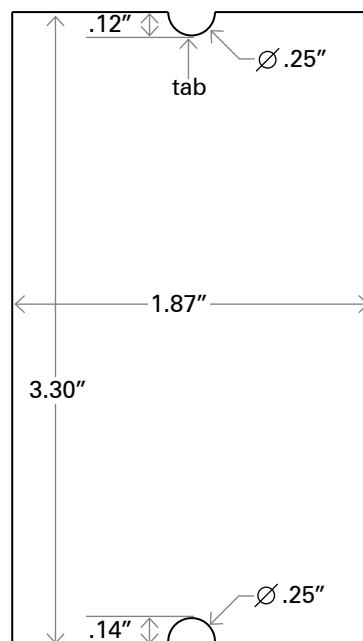
Begin by selecting a location for the Winegard SensorPro.

Keep in mind the following about the SensorPro:

- must be accessible
- must be connected to the antenna, television(s), and 12V DC power
- will extend one inch into the mounting surface

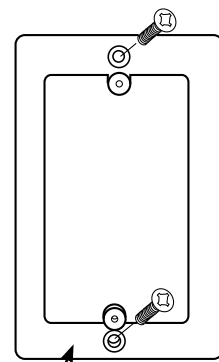
Try to avoid installing the SensorPro on an exterior wall.

Once a location has been selected, cut a 3.30" tall by 1.87" wide section in the wall for the back of the SensorPro and the cables. See actual size template at right. If unable to cut out the tabs using the provided template, proceed to **Installing the Spacer**. Otherwise, proceed to **Installing the SensorPro**.



Installing the Spacer

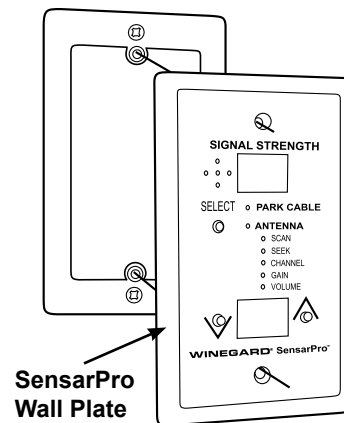
If not using an outlet box or if unable to cut out the tabs on the above template, the spacer may be needed. (The tabs in the above template are not needed when using the spacer.)



Spacer

To install the spacer, place the spacer over the hole cut out for the SensorPro.

Screw the spacer to the wall with two mounting screws. See image above. Then, continue with **Installing the SensorPro**.

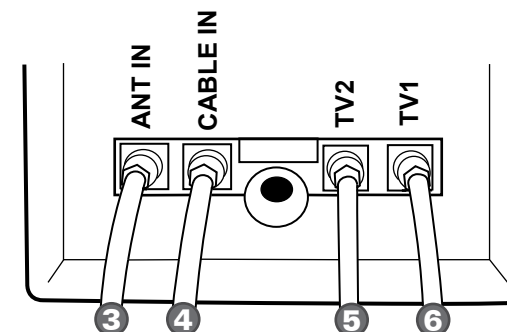


SensorPro Wall Plate

Installing the SensorPro

On the back of the SensorPro wall plate, there are four cables. Each cable is labeled on the cover above the cable as shown below.

- 3 = Antenna
- 4 = Cable
- 5 = TV2
- 6 = TV1

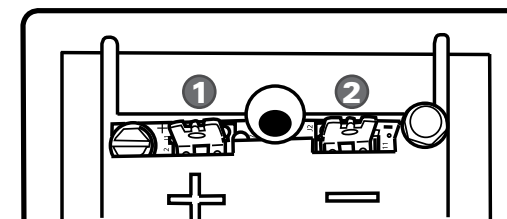


Connect the cable coming from the antenna to the cable coming from ANT IN (3) on the SensorPro. Repeat this for CABLE IN, TV1, and TV2.

If more than two televisions are needed, a splitter may be connected to TV2 to add televisions.

Once the four cables have been attached, connect the 12 VDC power from the existing wall plate to the SensorPro. The POWER should be connected to the post marked "+" (1) on the SensorPro. The GROUND should be connected to the post marked "-" (2) on the SensorPro. Input voltage must be between 9 and 16 volts DC with a maximum draw of 500 mA.

- 1 = Power
- 2 = Ground



With all of the cables connected, carefully feed the cables back into the hole in the wall. Align the mounting holes on the SensorPro so that they form a line perpendicular to the floor. If the spacer was installed, align the holes in the SensorPro wall plate with the holes in the spacer. See image to the left. Pre-drill mounting holes if this is a new installation.

Insert two of the provided mounting screws, and secure the SensorPro to the wall. Proceed to the **Operation** section.

OPERATION INSTRUCTIONS



How the Signal Meter Works

The digital transition changed television in many ways. Many broadcasters were forced to move from the frequency they had been using for years. When this happened, broadcasters fought to continue to call themselves by their old channel, even if they were using a different one to send their programming.

This means that many stations will broadcast on one channel but say they are another. For example, KWQC in Davenport,

IA, calls itself channel 6 and appears as channel 6 on the television. However, when the digital transition took place, KWQC moved its broadcast frequency to channel 36. The computer in the television translates the information that KWQC sends to identify itself as channel 6.

This translation slows down the tuner in the television, making real time signal strength impossible to measure. For this reason, **the SensorPro displays only the broadcast or RF channel number.** Therefore, when looking for KWQC in Davenport, IA, set the SensorPro to channel 36 instead of 6.

In addition, not all channels are broadcasting in digital. In many markets, some smaller broadcasters are still using the old analog technology.

Due to this, it will often be useful to visit the following sites:

www.antennaweb.org or www.tvfool.com.

Before traveling, enter the zip code of the location where the SensorPro will be used into one of the websites above. This will help point the antenna and determine which channels are available in the area.

Basic Operation

Once the vehicle is set up and ready to watch television, begin by raising the antenna. Turn on the SensorPro by pressing the SELECT button (3) until the lights beside ANTENNA-SCAN are lit.

With the unit in SCAN mode, the SensorPro will shortly display both a signal strength and an RF channel number. The displayed channel will not change until a button is pressed. The signal strength will continue to adjust as the antenna moves and environmental conditions change slightly.

Slowly rotate the antenna handle clockwise. If the signal strength increases, continue to rotate the antenna clockwise until the signal begins to slowly drop. Then, carefully move the antenna back to the strongest signal possible. If the signal gets weaker when moving the antenna clockwise, rotate the antenna counter-clockwise to find the best signal.

Once the signal does not get any stronger, press SELECT to move the SensorPro to ANTENNA-SEEK mode. In SEEK mode, it is possible to see how many channels are available by pressing the UP button and making a note of the channels found. Channels with a signal strength below 40 may not appear or may not be watchable on the television. The antenna may need to be fine-tuned when these channels are desired. Pressing the UP or DOWN button returns the SensorPro to the channel found during the SEEK mode.

Rotate the antenna 90°, and repeat these steps until the antenna returns to the direction of the first scan. The reason for this is that most areas will have channels in multiple directions. Running multiple scans in different directions is the best way to pick up all available stations.

Move the antenna to the area that had the most watchable channels in SEEK mode. Turn the television on, and run a channel scan on the television. Consult the television manual for these instructions.

Running the channel scan on the television will input the channels into the television and allow it to display the available programming. The channel numbers on the television scan may not match the channel numbers found on the signal meter.

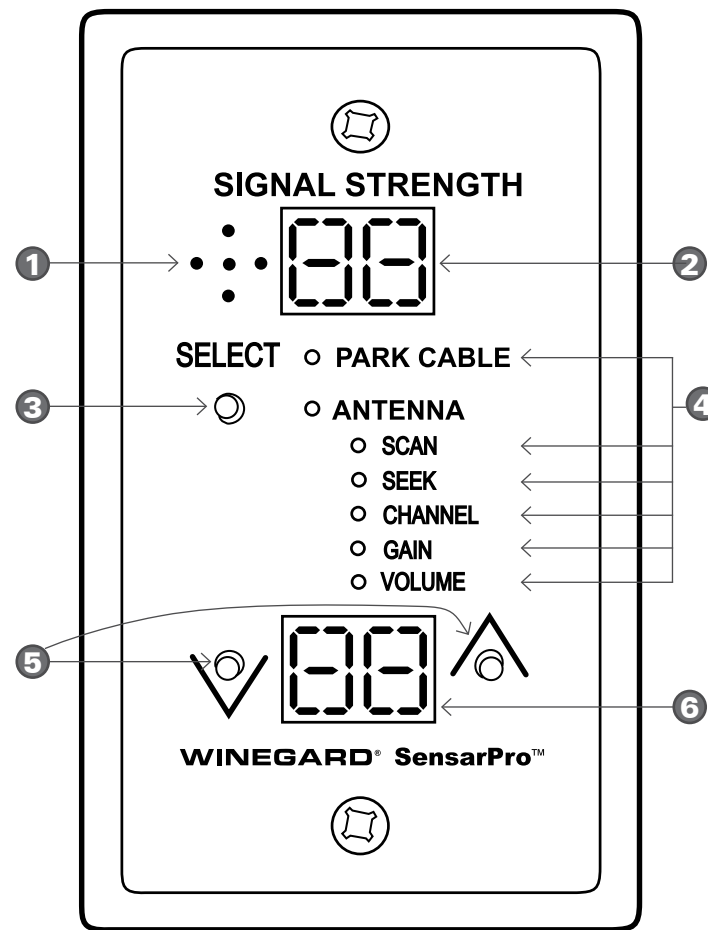
TIP Should the SensorPro not function as this guide indicates, press and hold both the UP and DOWN buttons at the same time for 3 seconds. This will reset the SensorPro.

Modes

The SELECT button on the front of the SensorPro cycles through all six modes (PARK CABLE, ANTENNA-SCAN, ANTENNA-SEEK, ANTENNA-CHANNEL, ANTENNA-GAIN, and ANTENNA-VOLUME) on the SensorPro.

The Winegard SensorPro has two main modes:

- PARK CABLE (OFF)
- ANTENNA (ON)



- 1 = Speaker
- 2 = Signal Strength Display
- 3 = Select Button
- 4 = Available Modes
- 5 = Up/Down Buttons
- 6 = Mode Display

Park Cable

When the SensorPro is set for PARK CABLE, it is, in essence, off. The park cable system connection will pass through the wall plate without interference from the SensorPro amplifier.

Antenna

ANTENNA mode is broken into five modes: SCAN, SEEK, CHANNEL, GAIN, and VOLUME. Each mode is designed to improve the process of finding and tuning in to quality broadcast television signals. Anytime the SensorPro is in one of these modes, both the antenna and the mode light will be lit. Use the SELECT button (3) to cycle through the modes.

• Scan

In SCAN mode, the SensorPro will check each RF television channel between 2 and 51 and will take a reading of the signal strength for each channel. The SensorPro will display the signal strength in the SIGNAL STRENGTH DISPLAY (2) and the channel in the MODE DISPLAY (6) for the strongest signal found during the scan. The SensorPro will remain on that channel until either the UP or DOWN buttons (5) are pressed. Then, it will start a new scan and will display the strongest channel the antenna is currently receiving. It is possible that the same channel could not be displayed. If nothing (-) is showing in both the SIGNAL STRENGTH DISPLAY and MODE DISPLAY, then no channels are available, and the gain should be checked.

• Seek

In SEEK mode, the SensorPro works much like a car radio. Cycling through each RF channel, the SensorPro will display only viable channels. Once it finds a channel, it will display a live signal reading in the SIGNAL STRENGTH DISPLAY and the RF channel in the MODE DISPLAY. The SensorPro will remain on this channel until either of the UP or DOWN buttons are pressed. While this channel is displayed, it is possible to peak the channel for maximum signal strength by slowly rotating the antenna and watching the signal strength display. The signal strength displays up to 99, but not every channel can be peaked to this point. Generally, a channel can be watched at a signal strength of 40. Any signal above this level is less likely to have minor interruptions due to environmental factors. To send the SensorPro back into SEEK mode, press either the UP or DOWN button. The SensorPro will start searching for the next channel (either UP when the UP button is pressed or

DOWN when the DOWN button is pressed), stopping on the next channel it finds in that direction. SEEK mode is not intended for use while making large corrections with the antenna. Moving the antenna while the SensorPro is in SEEK mode can cause channels to be missed.

• Channel

In CHANNEL mode, the SensorPro will continuously scan for the RF channel shown in the MODE DISPLAY. To select a different RF channel, use the UP or DOWN button. This mode is used to find low strength signals. By focusing on a single RF channel, the signal meter allows the antenna to be aimed at a weak or distant RF channel.

• Gain

The SensorPro contains an amplifier to adjust GAIN. While in Gain Mode, increase the gain on the SensorPro by pressing the Up Arrow, which can help improve a weak channel that is not quite watchable. Decrease the gain by pressing the Down arrow, which can help prevent a strong signal from overloading the television tuner. If the signal is too strong, you will see a high number on the signal strength display but no picture. Turning down the gain will stop this overloading, and a picture should appear. If there is no signal, check that the gain is not set to 0 or 1. In most situations, optimal gain will be 10, the factory preset. Gain should not need to be changed in most cases. Note that the tone is muted in GAIN mode.

• Volume

The SensorPro has an audio tone (1) that can help to peak a signal when the meter is not easily seen from where the antenna is mounted. If the signal remains steady and no buttons are pressed, the tone will last for ten seconds before muting so that it does not disturb programming once the channel has been located. To use the tone to peak a channel with the SensorPro, press the MODE SELECT button until the VOLUME light is on. Press the UP button until the tone can be clearly heard.

Note: in VOLUME mode, the SensorPro will return to SCAN mode if no button is pushed for 3 seconds.

Sleep Mode

If no button is pressed for three minutes, the SensorPro will enter SLEEP mode, turning off all of its displays and the buzzer. In SLEEP mode, the SensorPro will provide signal but will remain unlit until a button is pressed.