

HANG5 RACK INSTRUCTIONS

Model #26496



Important

This bike rack is designed to carry a maximum of 5 bikes and is intended to be used ONLY with a 2" receiver hitch. Do not use this rack for anything other than carrying bicycles on a passenger vehicle. Do not exceed your vehicles load ratings for any reason. This rack cannot be used on vehicles with a 1.25" hitch. Reference the instruction manual for proper use of this rack.

Warning

DO NOT use any aftermarket extenders or adapters with this rack.
 Check the tightness of bolts and nuts periodically as they may loosen slightly during normal use.
 DO NOT drive the vehicle with the bike rack loaded in the Parallelogram Lowered position.
 This rack CANNOT be mounted and used on the rear of trailers or RVs.
 Remove this rack from the vehicle before going through a car wash.

TOOLS REQUIRED

Metric Allen Wrench (5mm)
 2 Adjustable Crescent Wrenches
 13 mm Socket Wrench w Extension (2-3")

RECOMMENDED ASSEMBLY TOOLS

Metric Socket Set
 7/8" Ratcheting Box Wrench (See Fig. 10)
 13mm Wrench
 Torque Wrench up to 60 ft-lbs

PARTS INCLUDED

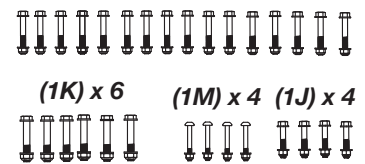
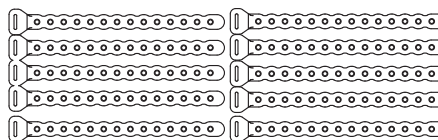
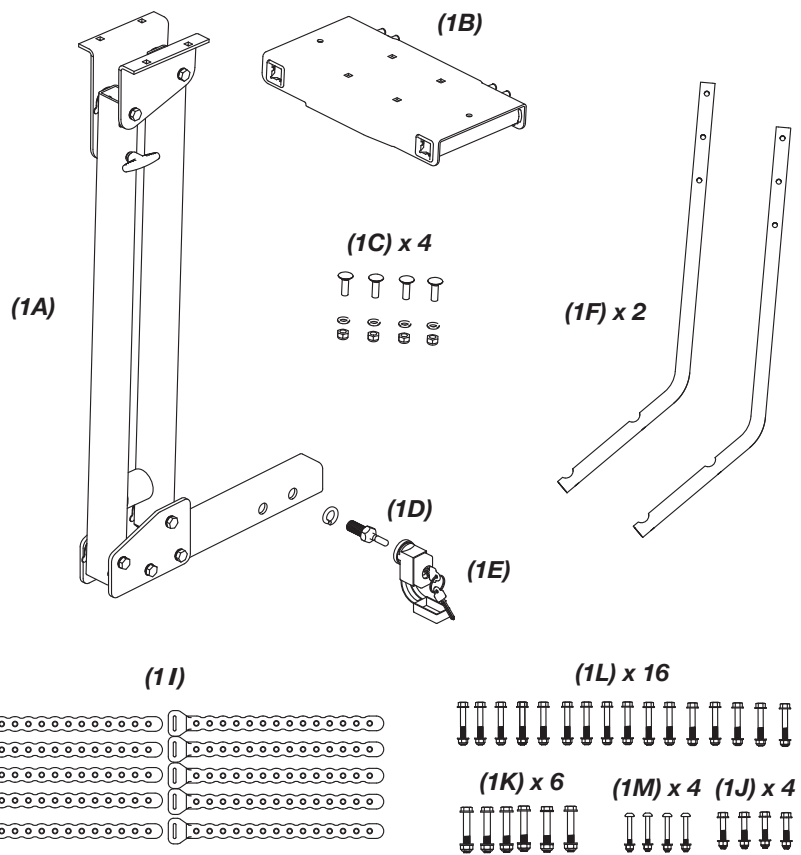
BOX 1

(Access Rack)

- (1A) Main Base Rack Assembly
- (1B) Top Plate
- (1C) Carriage Bolt, Nut and Washer x4
- (1D) 5/8" Hitch Bolt and Lock Washer
- (1E) Hitch Lock (p/n 25056)

(Hang5 Rack)

- (1F) Lower Support Bars x2
- (1G) Rear Wheel Support Bar (longer)
- (1H) Rear Wheel Support Bar (shorter)
- (1I) Rubber Straps (14 hole) x 10
- (1J) 8mm x50mm Bolt, Nut, 2 Washers x4
- (1K) 10mm x 65mm Bolt, Nut, 2 Washers x6
- (1L) 8mm x 65mm Bolt, Nut, 2 Washers x16
(ships with 10 of 16 pre-installed)
- (1M) 8mm Button Head Bolt, Nut, Washer x4
(5mm hex wrench required)

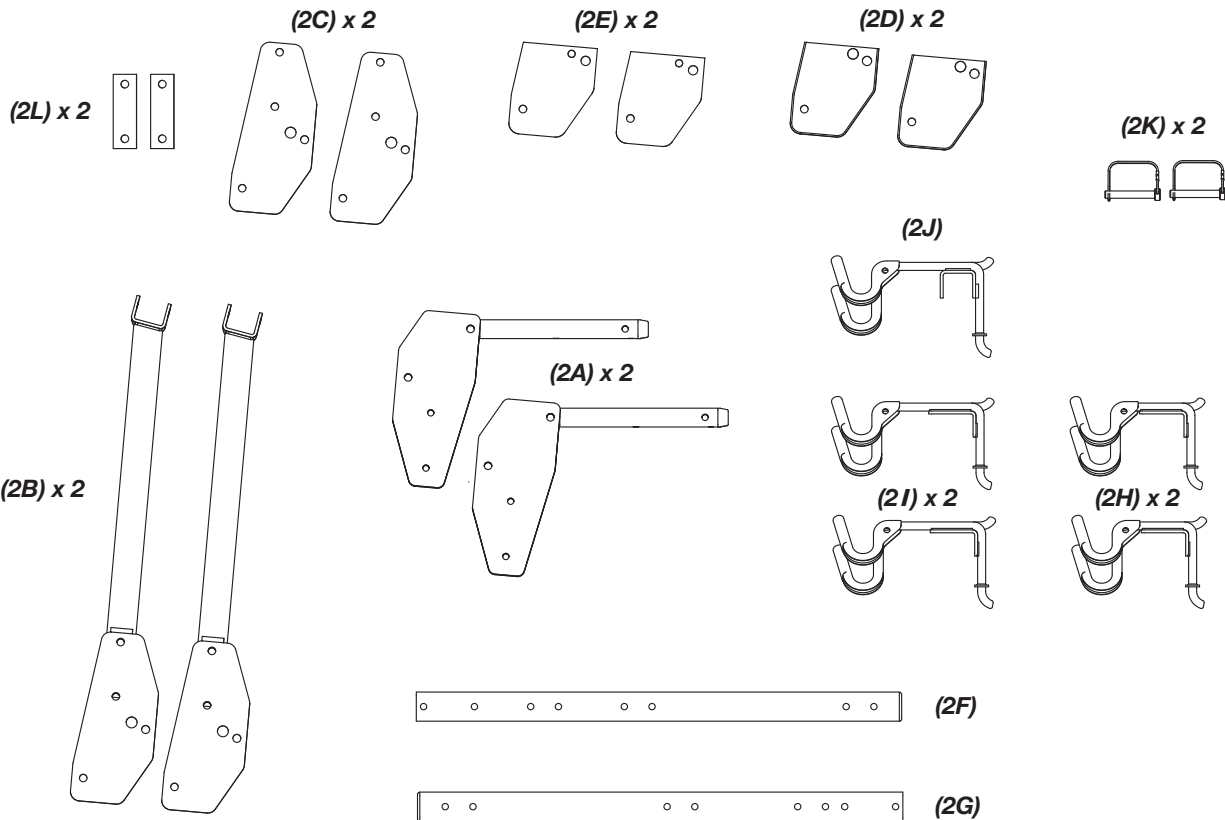


PARTS INCLUDED (continued)

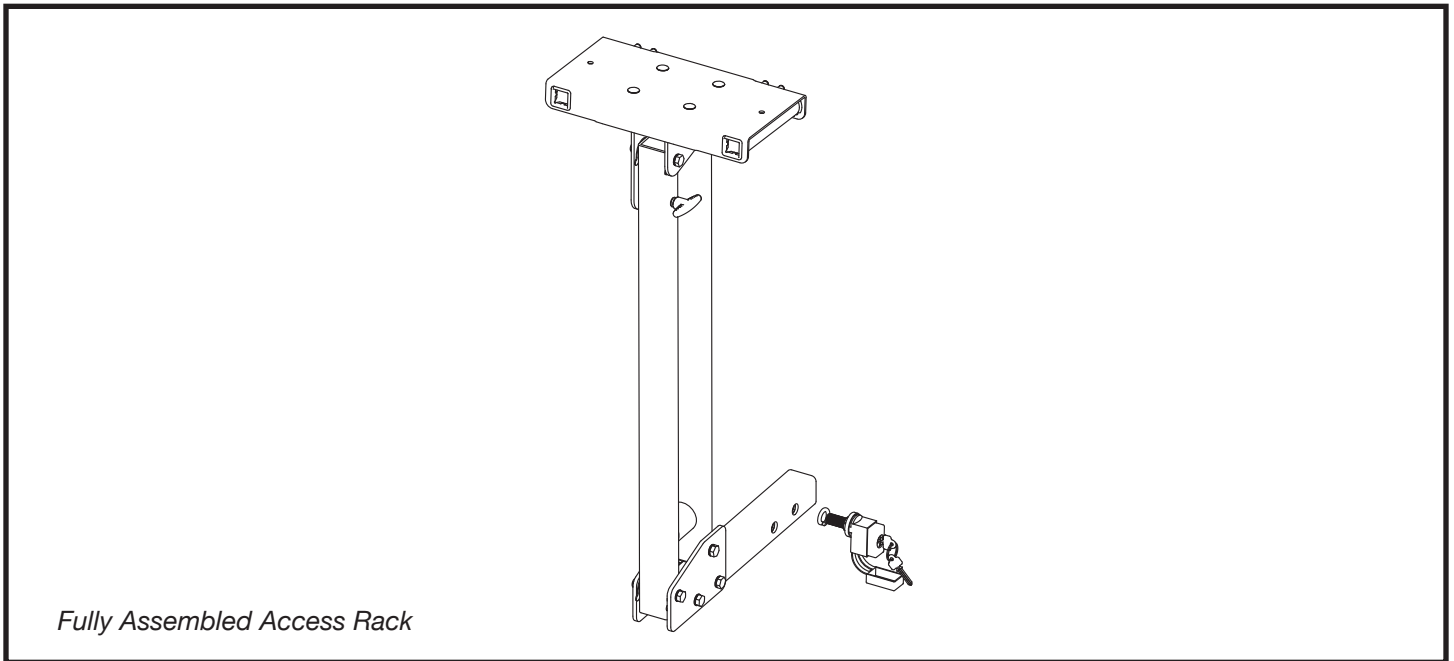
BOX 2

(Hang5 Rack)

- (2A)** Inner Pivot Plates w/ 1" Top Plate Bar x2
- (2B)** Outer Pivot Plate w/ Vertical Hanger Support x2
- (2C)** Outer Pivot Plate w/out Vertical Hanger Attached x2
- (2D)** Plastic Anti-Friction Plate Left x2 (ships pre-assembled)
- (2E)** Plastic Anti-Friction Plate Right x2 (ships pre-assembled)
- (2F)** Hang Bar Right Side (ships with 2 hangers pre-assembled)
- (2G)** Hang Bar Left Side (ships with 3 hangers pre-assembled)
- (2H)** Hangers #2 and #4 (short reach) x2
- (2I)** Hangers #1 and #5 (long reach) x2
- (2J)** Hanger #3 (long reach) Center x1
- (2K)** Pivot Pin x2
- (2L)** 2 Hole Metal Spacer x2



ASSEMBLY OF ACCESS RACK



View a video on how to install this rack

Scan this code on a mobile device, or visit www.softride.com/H5

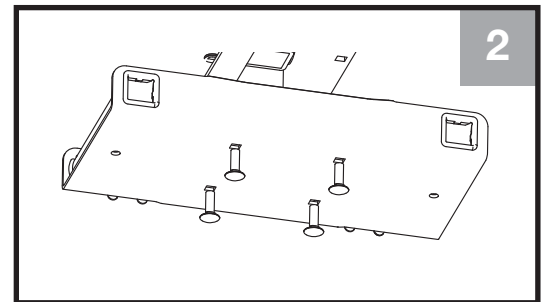


1

Remove Access Rack parts from Box 1 (1A), (1B), (1C), (1D), (1E) Page 1

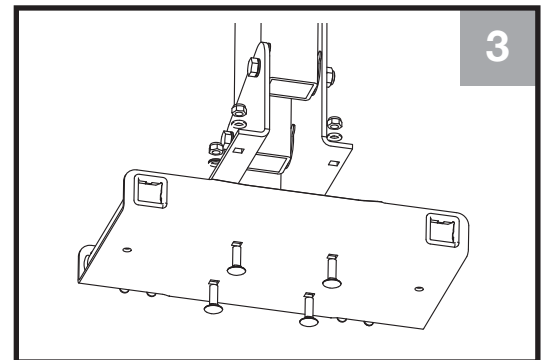
2

Begin assembly of rack by loading the carriage bolts (1C) into the 4 holes in the top plate (1B). Place the top plate on the floor, top side down on a piece of cardboard.



3

Position the base rack assembly (1A) on the top plate (1B), aligning the mounting holes of the top plate with the holes in the brackets on the base rack assembly.



4

Place the lock washers and lock nuts on the carriage bolts and tighten them to 12 foot-pounds with a torque wrench.

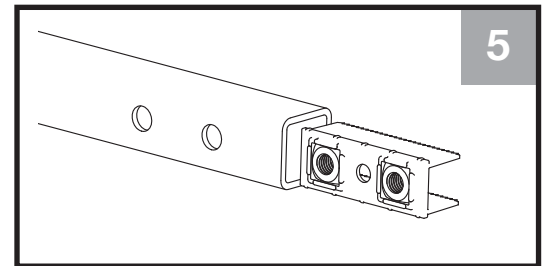
Tip: This is where the 13mm socket and the extension is used.

ASSEMBLY OF ACCESS RACK (continued)

5

Check to make sure that the nut inside the rack hitch bar is aligned with the hole in the hitch bar. Adjust with a screw driver if necessary.

Tip: If you don't see the threaded nut, look down the inside of hitch bar tube from the end. It may have shifted during shipping.

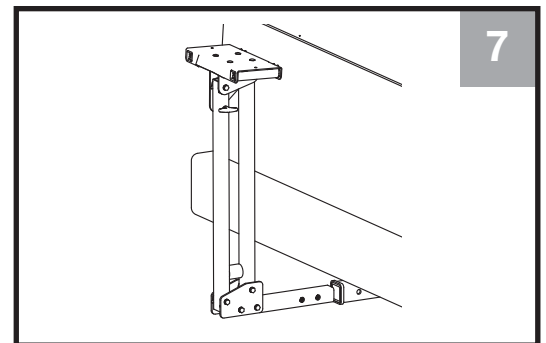


6

Check inside the receiver hitch for dirt, debris or burrs and remove them from inside the hitchbox. A clean receiver hitch ensures maximum anti-rattle capabilities and helps prevent rust from migrating from receiver hitch to bike rack.

7

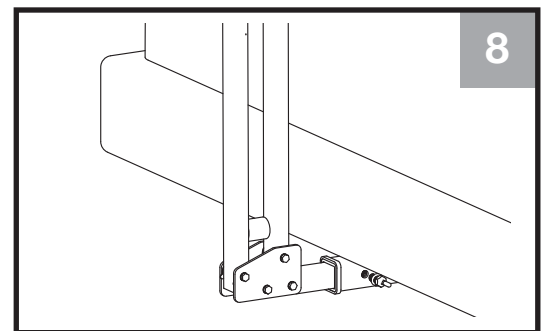
Slide the rack into the receiver hitch of the vehicle.



8

Line up the hole in the rack hitch bar with the hole in the receiver hitch.

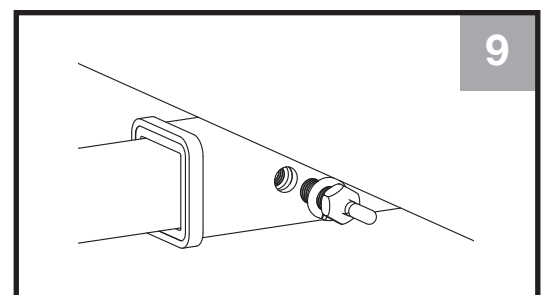
Tip: When possible, use nearer hole position for enhanced stability.



9

Place the lock washer on the hitch bolt and hand thread it into the nut in the hitch bar. Tighten to 60 foot-pounds with a torque wrench. Note, the bolt is not intended to go through the other side of the hitch bar or receiver hitch.

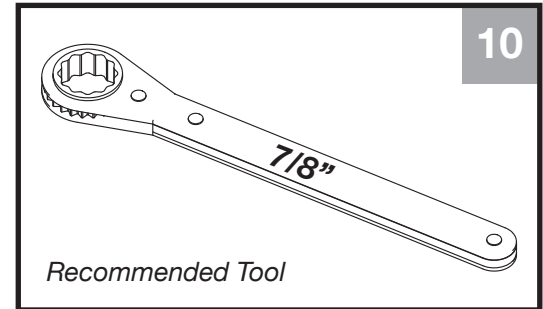
Tip: This is where the torque wrench is useful until you have a good feel as to what 60 foot-pounds is with your ratcheting box wrench.



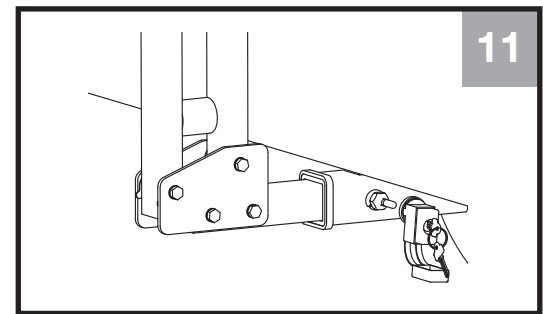
ASSEMBLY OF ACCESS RACK (continued)**10**

Once the hitch bolt is hand tightened, gently wiggle the hitch bar in the receiver hitch and retighten to 60 foot-pounds if necessary.

Tip: A 7/8" ratcheting box wrench will speed up install and un-install process and is easy to stow in the car so it is always near the bike rack. This is easier and more cost effective than using a deep socket set in most cases.

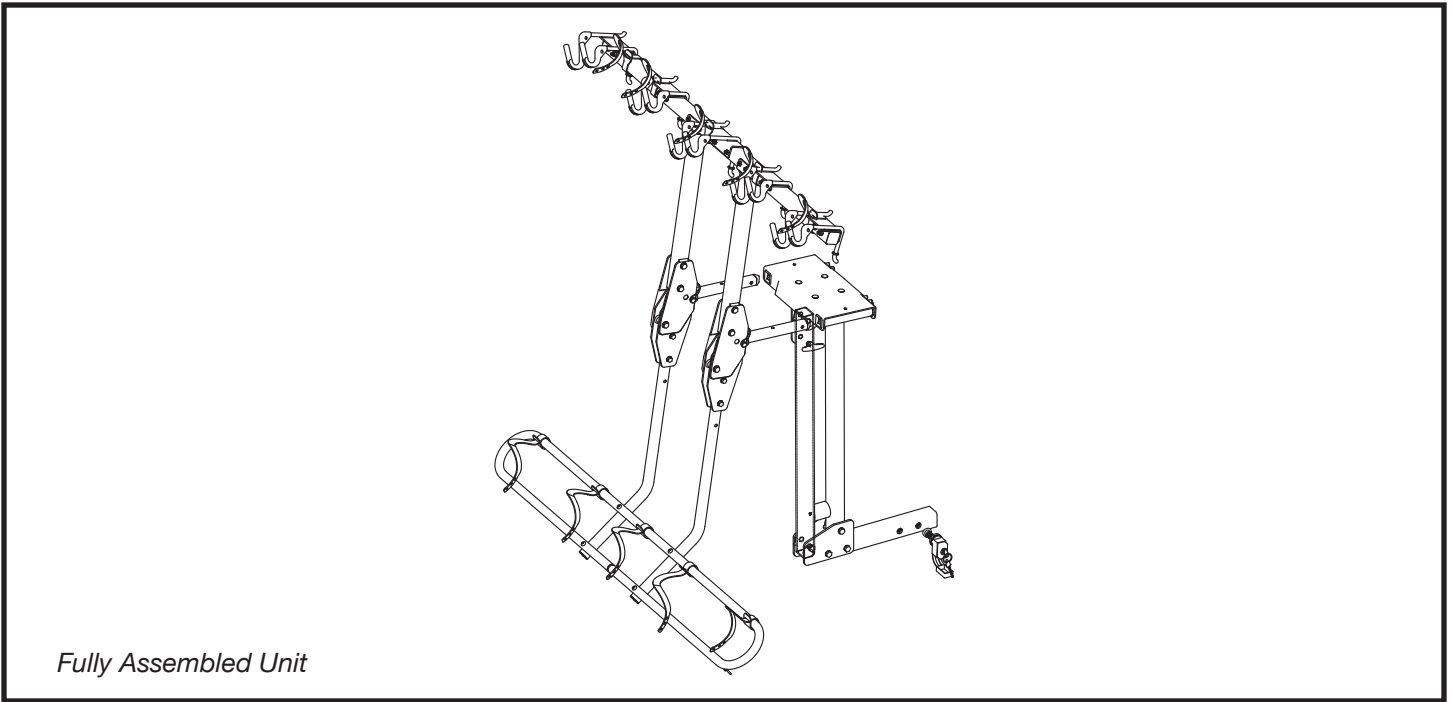
**11**

To lock the bike rack to the vehicle, press the hitch lock over the bolt stud on the hitch bolt.

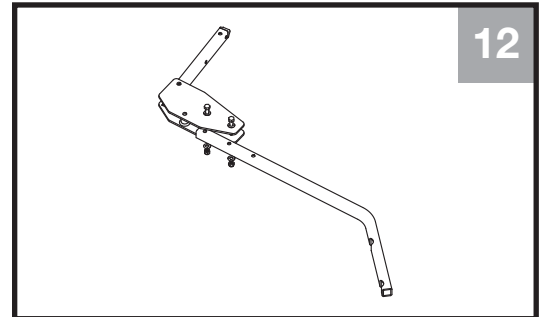


The Access Rack Assembly (Parallelogram) is now installed on the vehicle. Turn to Box 2, and retrieve the pieces set aside earlier from Box 1.

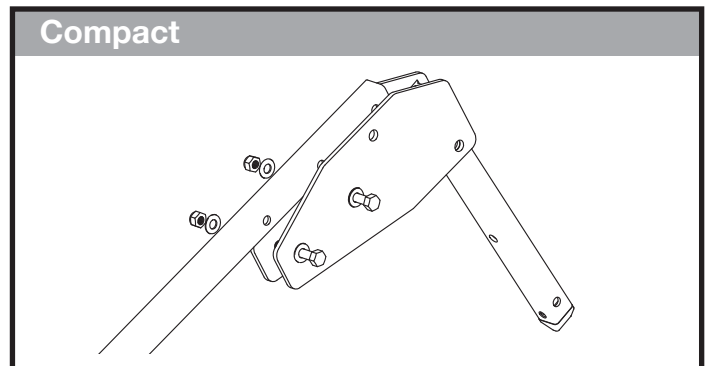
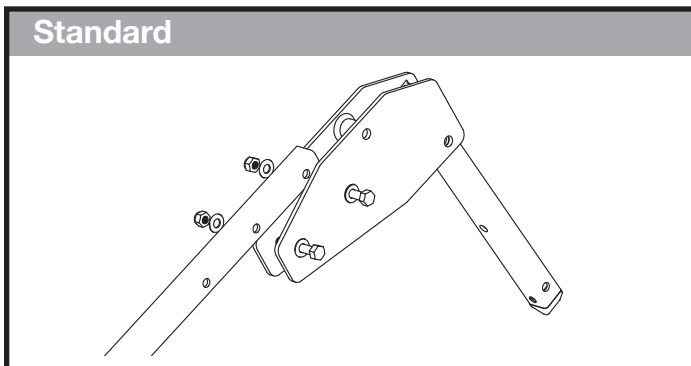
ASSEMBLY OF HANG5 RACK



- 12** Insert the Lower Support Bar (1F) (1 inch square tubing with two round notches) into one of the Inner Pivot Plates (2A) and use 2 of the 4 8mm x 50mm bolts, washers and nuts (1J). For the initial installation it may be necessary to slightly wedge the two plates of the Inner Pivot Plate (2A) assembly apart in order to insert the Lower Support Bar(1F).



Before tightening make sure that the Lower Support Bar is installed in the Standard Wheelbase position:



Tip: Utilize the additional hole in the rear Lower Support Bars(1F) to change the rack over to Compact Wheelbase Position. This may be better for smaller bikes including some kid's bikes and BMX bikes. It is okay to use Standard sized bikes in the Compact Wheelbase Position.

ASSEMBLY OF HANG5 RACK (continued)**13**

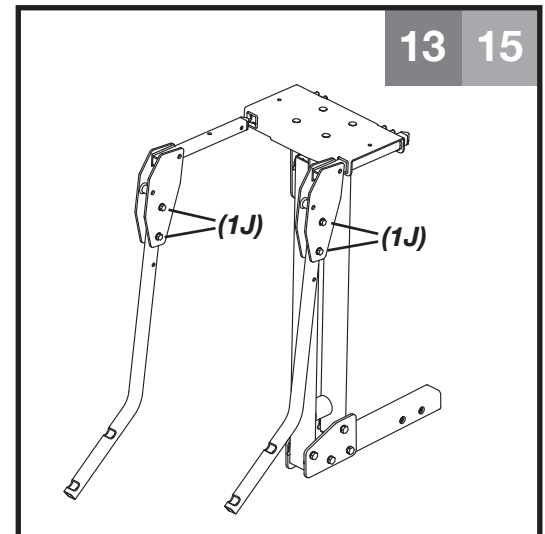
Tighten bolts (1J) to 30 foot-pounds.

14

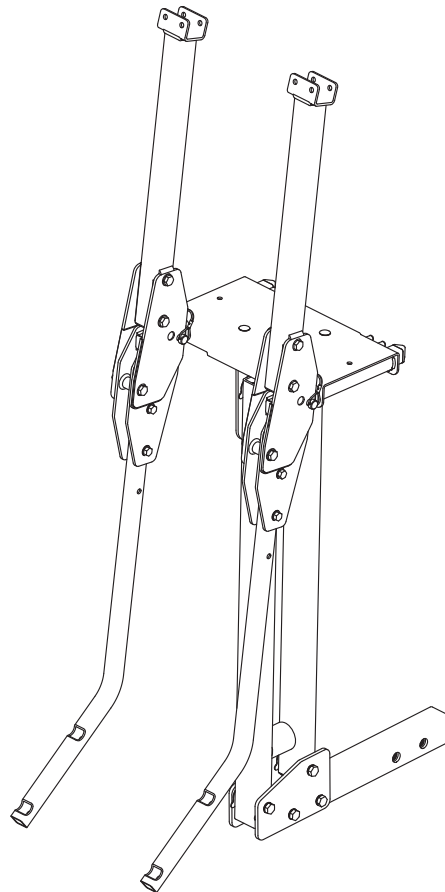
Repeat steps 12-13 with the other identical Inner Pivot Plate (2A) and Lower Support Bar (1F).

15

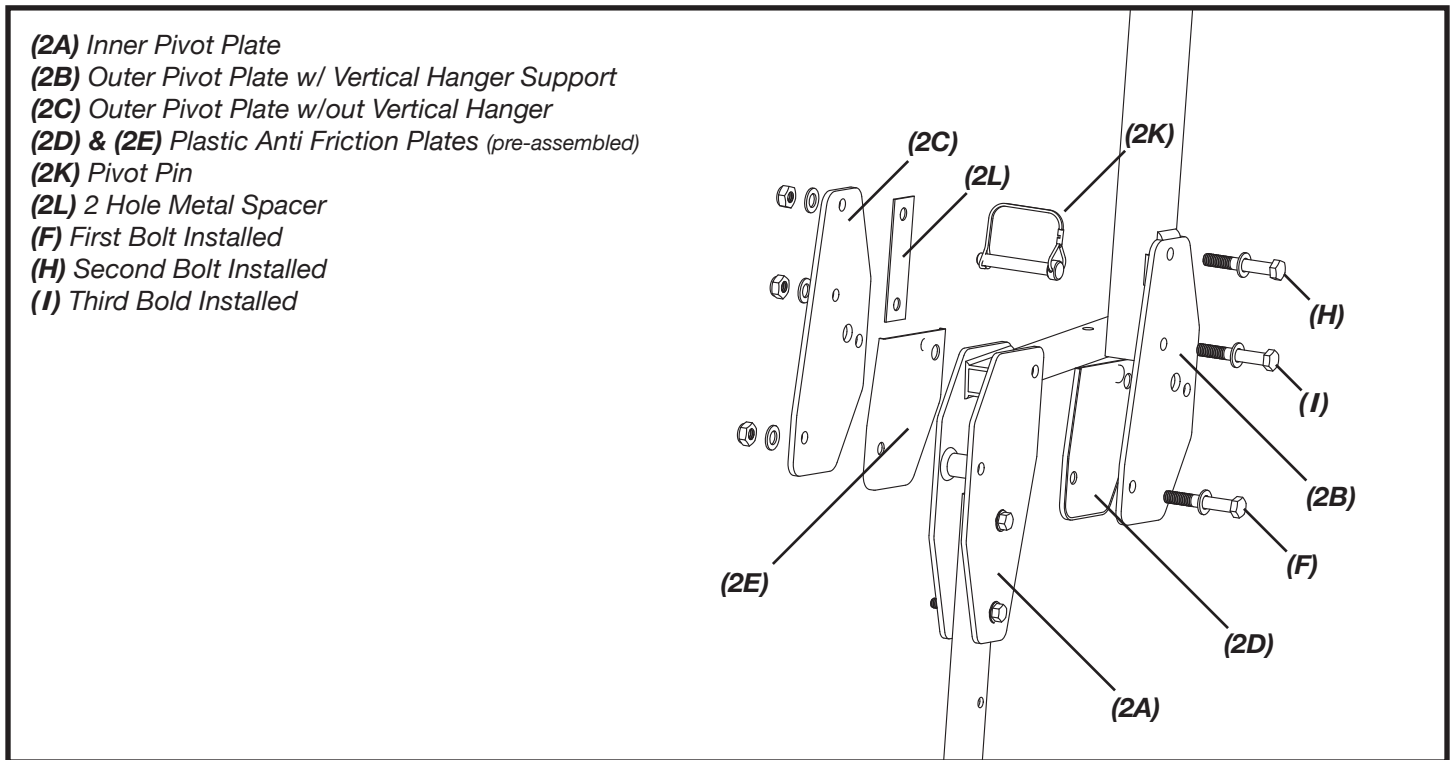
Gently slide both the Inner Pivot Plate Assemblies w/ Lower Support Bars attached into the top plate (1B) until the Top Plate auto-lock engages.



Next step will be to attach the Outer Pivot Plates (2B) & (2C)



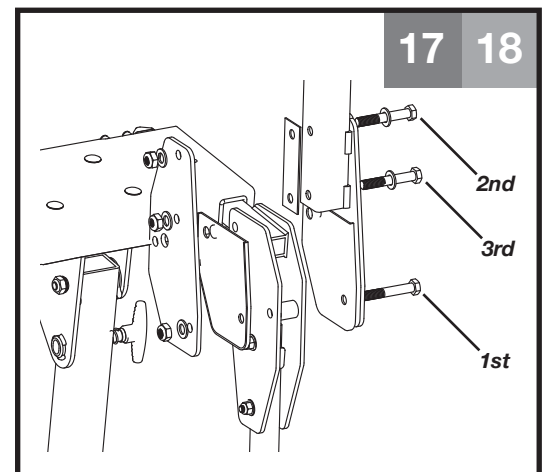
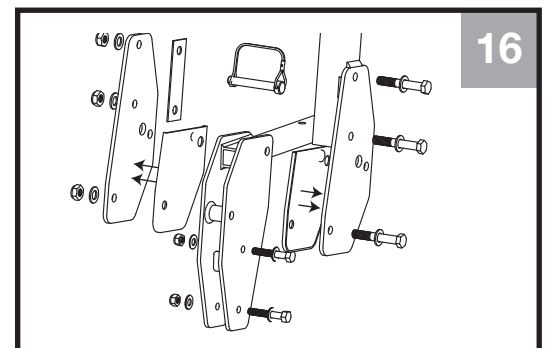
ASSEMBLY OF HANG5 RACK (continued)



16 The plastic Anti-Friction Plates Left and Right (2D) and (2E) should arrive attached to the corresponding inner edges of the Outer Pivot Plates (2B) and (2C).

17 Position the Outer Pivot Plate w/ Vertical Hanger Support (2B) along side of the Inner Pivot Plate (2A) as shown and insert through the lower 10mm bolt (F) w/ 1 washer.

18 Match the Outer Pivot Plates (2B) & (2C), 2 Hole Metal Spacer (2L), and Plastic Anti-Friction Plates (2D) & (2E) to the other side so that all of the holes align as shown. **Tip: Wait until later to completely tighten the 10mm bolts to make sure all holes will line up.**



ASSEMBLY OF HANG5 RACK (continued)

19

With the 2 Hole Metal Spacer (2L) in place insert the top 10 mm bolt through one Pivot Plate and the Vertical Hanger Support and attach washer and nut to hand tight.

20

Insert the 3rd 10mm bolt through both Pivot Plates and the 2-Hole Metal Spacer (2L) and attach washer and nut.

21

Carefully align the Vertical Hanger Support upright until the hole for the Pivot Pin (2K) can be inserted into place.

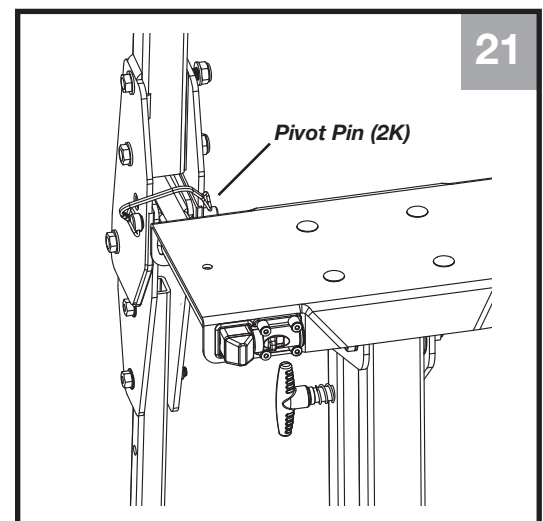
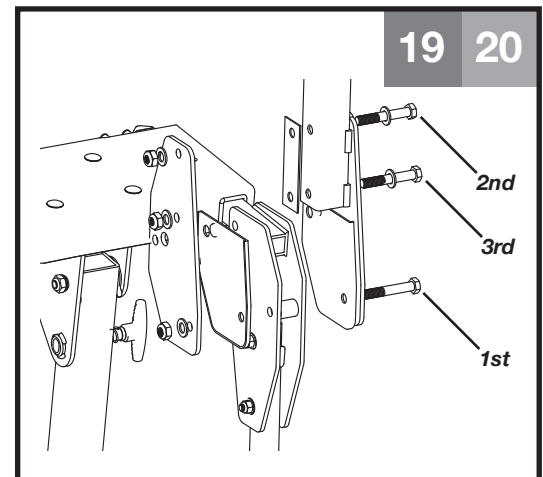
22

Tighten all three of the 10mm bolts at this time to 30 foot-pounds.

Tip: If you are sure you will remember to come back and tighten everything up, you may leave these three bolts hand tight at this time. This will allow the remaining bolts you install to fit into their corresponding holes more easily.

23

Repeat steps 16 - 22 on Left Side with remaining matching set of pivot parts.



ASSEMBLY OF HANG5 RACK (continued)

24

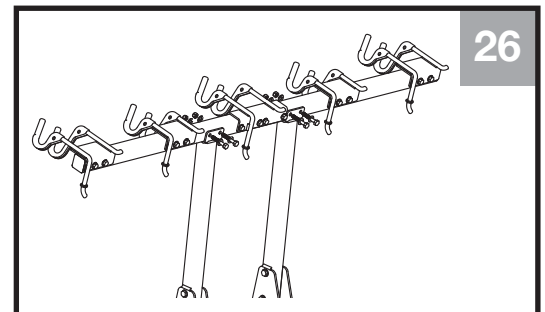
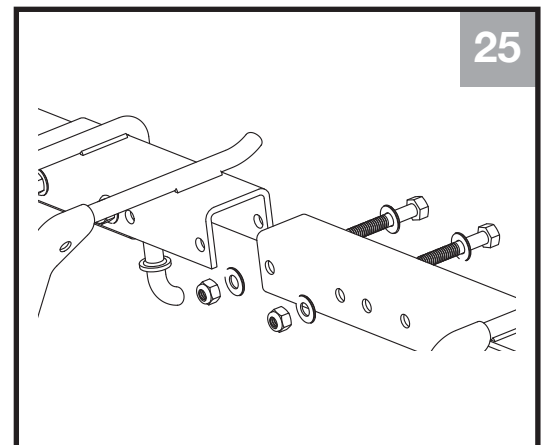
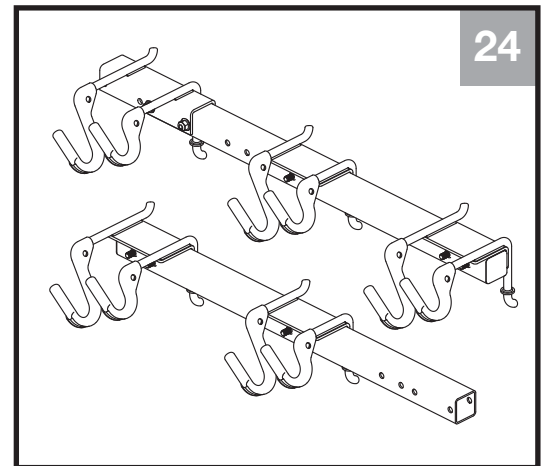
The Hang Bar Left Side (2F) and Right Side (2G) should arrive with the Hangers (2H)x2, (2I)x2, and (2J) pre-installed.

25

Use two 8mm x 65mm bolt set (1L) to connect the two Hang Bars. Tighten bolts completely to 30 foot-pounds.

26

Set assembled Hang Bar with all five hangers into the Vertical Hanger Supports (2B) and secure with the remaining four 8mm x 65mm bolt set (1L).



ASSEMBLY OF HANG5 RACK (continued)

27

Return to the six 10mm bolts (1K) on the Pivot Plates and tighten them up completely to 30 foot-pounds if bolts were left loose to align all bolts and holes.

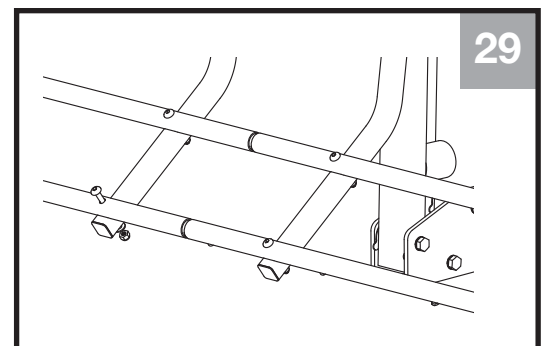
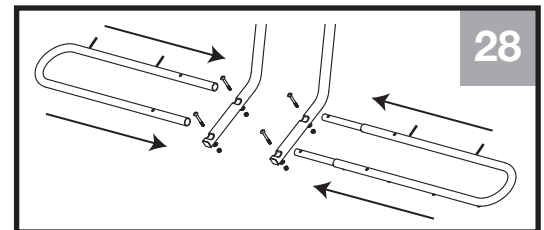
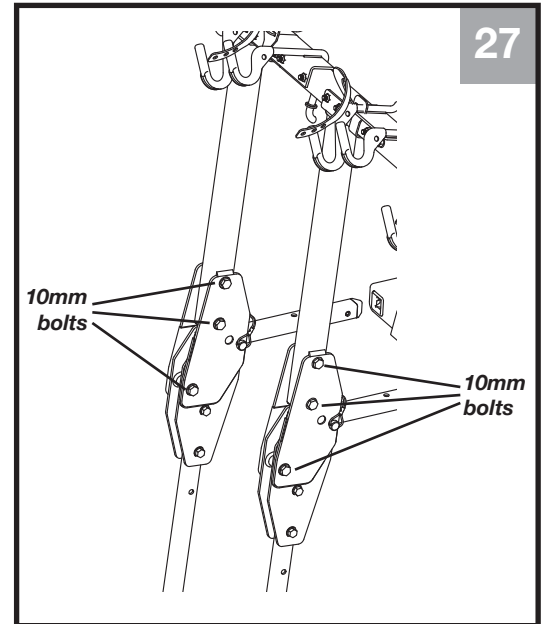
28

Slide Rear Wheel Support Bar (1G) into Smaller Rear Wheel Support Bar (1H) to make a loop.

29

Bolt the loop onto the Lower Support Bars using the four 8mm button head bolt set (1M) (round head with Allen key). Install washer before installing nut.

***Note: This bolt set has only one washer per bolt and it belongs on the nut side, not the bolt head side.**

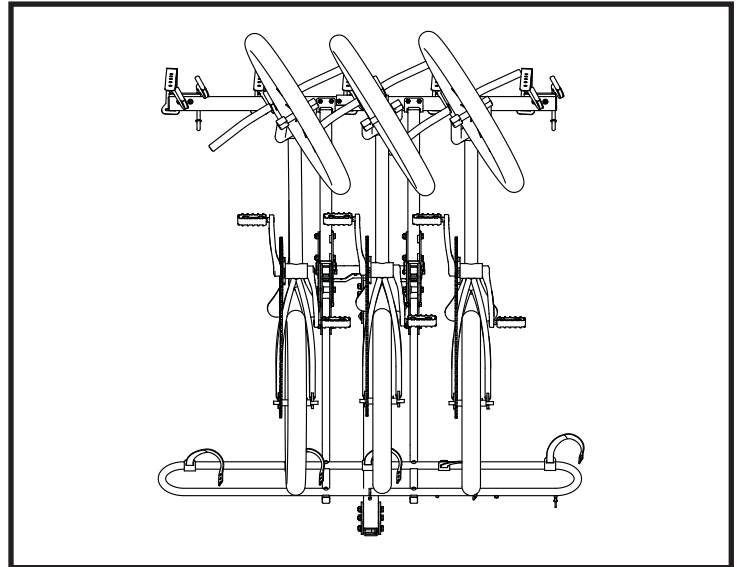


Rack Assembly Is Complete. Congratulations, you did it. Next Step: Go Ride!

HANG5 USE INSTRUCTIONS

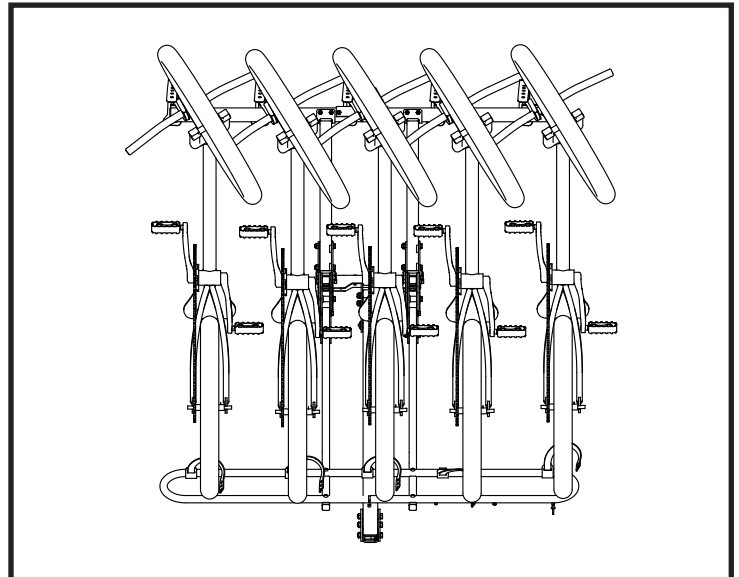
1 - 3 BIKES

When transporting one to three bikes only, load the bikes on any of the three center hangers to best balance the weight of the bikes on the rack.



4 - 5 BIKES

When loading four or five bikes it is easiest to load from left to right or right to left sequentially. It is possible to remove bikes from the middle when fully loaded with five bikes, but it may require the assistance of a second person.

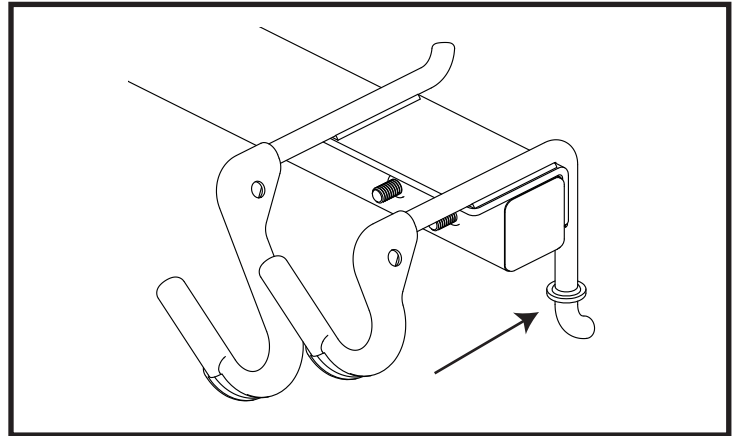


Once loaded, secure each bicycle with a minimum of two rubber straps one at the handle bars, and another holding the rear wheel to the Rear Wheel Support Bar (1G and 1H).

HANG5 USE INSTRUCTIONS (continued)

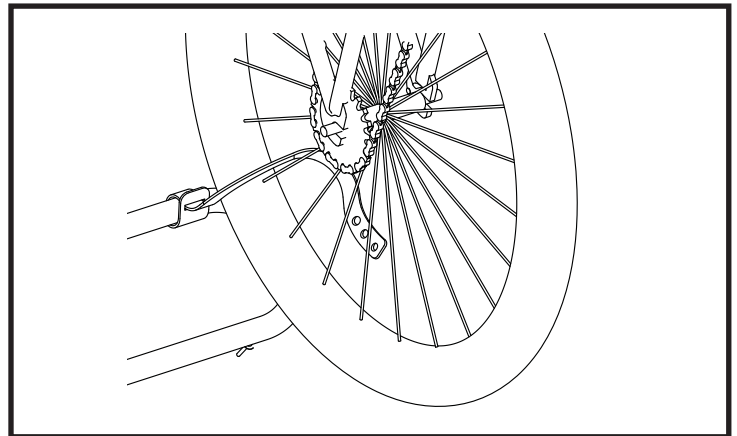
SECURING THE HANDLEBARS

The Handle Bar Straps should always be secured to the lower strap point to ensure that the straps are pulling the handle bars into the base of the hangers.



SECURING THE REAR WHEEL

Attach the rear wheel straps using the slot in the strap to wrap the strap through itself and around the Rear Wheel Support Bar (1G and 1H). Then place the strap through the rear wheel and back to one of the five strap buttons on the Rear Wheel Support Bar.



LONG DISTANCE TRAVEL TIP

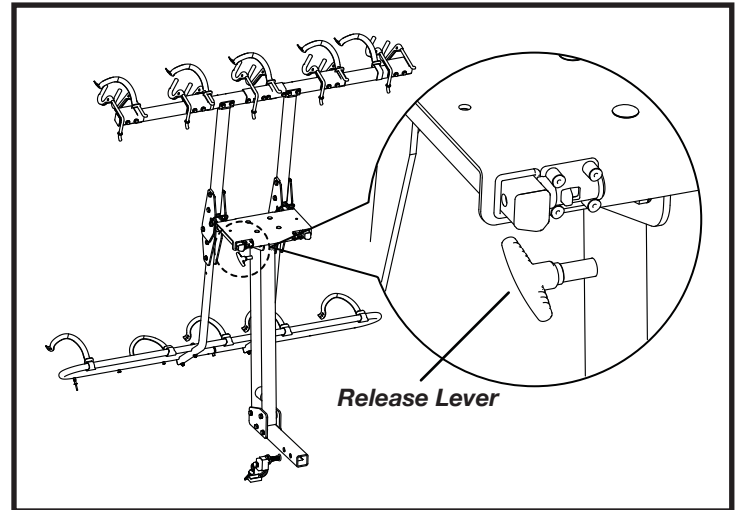
When travelling long distances consider using Softwraps (sold separately) to prevent the front wheel from spinning in the wind turbulence behind the vehicle. Softwraps can also be used to limit rotation of the crank arms (pedals) on long trips.

For more tips and to see a video of how to use this rack scan this code with a mobile device or visit: www.softride.com/h5how2

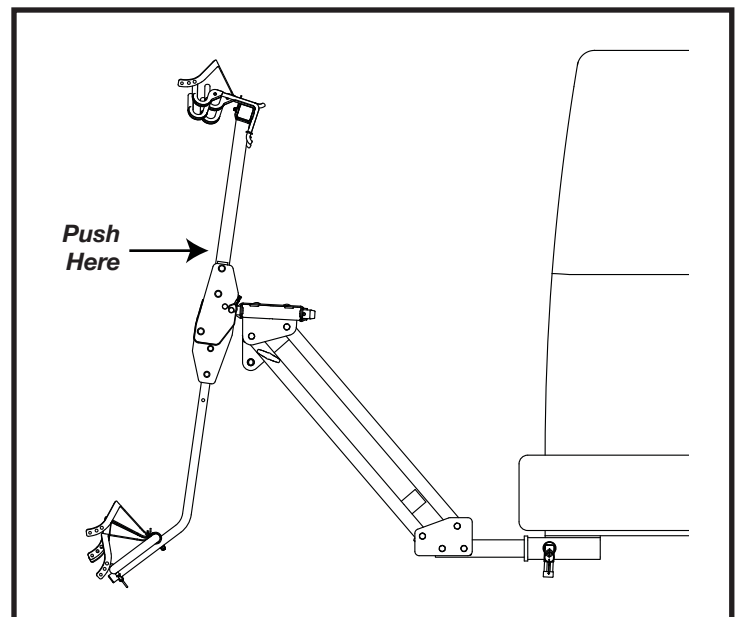


HANG5 USE INSTRUCTIONS (continued)

To lower the rack into the access position when it is empty, grasp the release lever and while pushing the rack towards the vehicle pull the spring loaded pin out. Supporting the whole rack, lower the unit. Do not set the unit onto your feet.



To raise the rack back to the drive position when it is empty simply push on the Vertical Hanger Supports just above where they insert into the top plate.



Never operate the vehicle with the rack in the lowered to the ground position!

The steps for lowering and raising the rack **when loaded** are the same as unloaded. Depending on the weight of the bikes and the strength of the user one or two additional riders may be necessary to assist with lowering and raising a fully loaded Hang5 Rack.

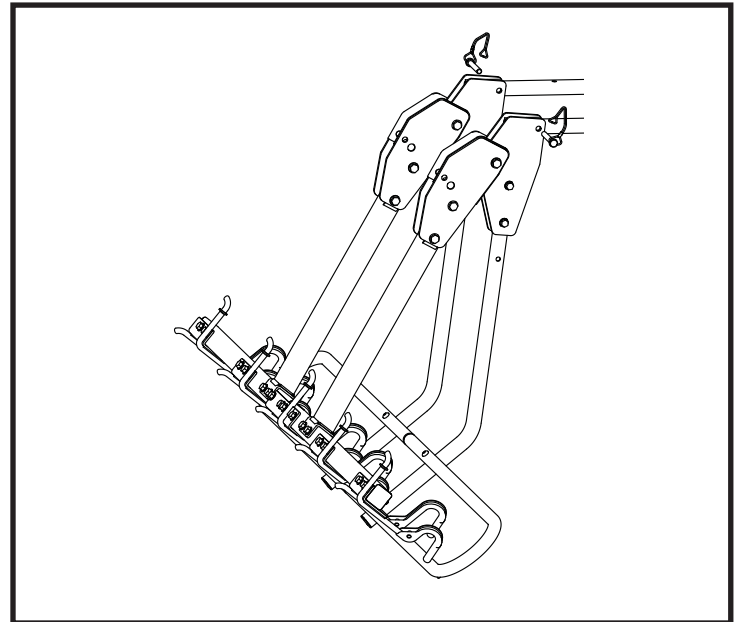
Ensure that the weight of the bikes is evenly distributed on the bike rack. If the weight is not distributed equally, it may be necessary to lift the rack on the heavy side to pull the lowering release lever.

HANG5 USE INSTRUCTIONS (continued)

The Hang5 assembly can be folded down into stowage position and for easier installation and storage.

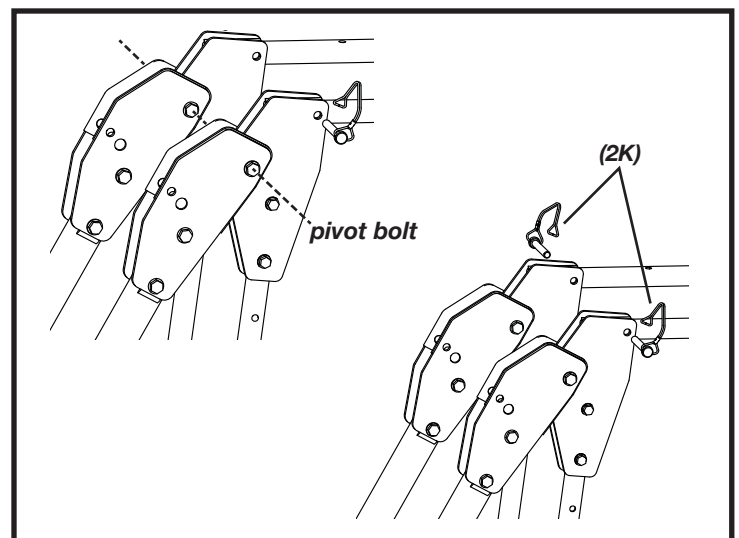
Always secure the Hangers to the Rear Wheel Support Bar with 2 or more Rubber Straps when driving with the rack in Stowage Position. Failure to do so may void the warranty of the rack and could result in damage to the rack.

When folding the rack into stowage position take care not to place hands between the two support bars where fingers could get pinched.



To place the rack into stowage position remove the two Pivot Pins (2K), fold the rack down and secure top half of the rack to the lower half with two or more rubber straps. The Pivot Pins (2K) can be reinserted to avoid misplacing them.

After returning the rack to use position from stowage check the pivot assembly bolts to ensure they are tightened to each bolt's torque specification.



When removing the bike rack from the vehicle always remove the Hang5 Assembly separately before attempting to remove the Access Base Rack from the receiver hitch.

This rack should only be used with a 2" receiver hitch. Do not use any aftermarket extension, coupler, or reducer to modify the connection between the rack and the receiver hitch.

For more tips and to see a video of how to use this rack scan this code with a mobile device or visit: www.softride.com/h5how2

