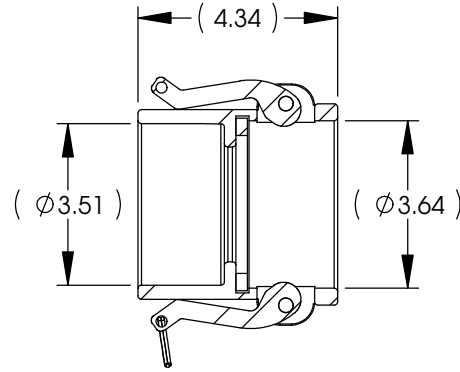
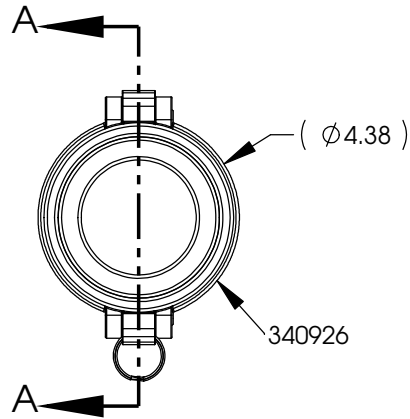


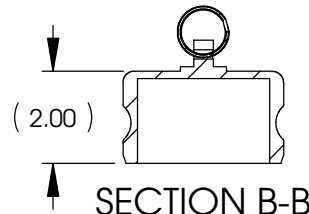
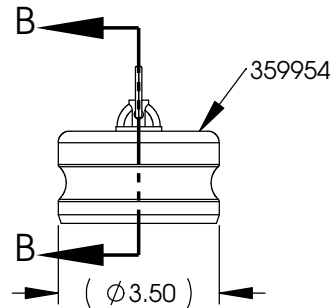
NOTES:

1. PURCHASED ASSEMBLY INCLUDES FEMALE CAM LOCK FITTING WITH CAM LOCKS, SEAL, CHAIN, AND PLUG
2. REFERENCE PART NUMBER IN ASSEMBLY FOR FURTHER DETAILS

REVISION HISTORY					
REV	DATE	DESCRIPTION	ECN	DWR	APVD
A	8/14/2014	RELEASED TO PRODUCTION	ECN-SP-NP-17204	DAL	RW
B	4/30/2015	REMOVED (1) RING FROM LEVER	ECN-SP-DE-14671	SAB	JS



SECTION A-A



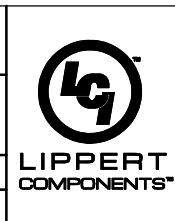
SECTION B-B



TITLE: 3 INCH Y-ABS COUPLER ASSEMBLY

UNLESS OTHERWISE SPECIFIED	
1. ALL DIMENSIONS ARE IN INCHES BREAK SHARP EDGES & DEBURR	
2. MATERIAL & FINISH TO BE AS NOTED OR SUBSTITUTED WITH AN APPROVED AND TESTED EQUIVALENT	
FILLETS R.015	FINISH: $\sqrt{125}$
THIRD ANGLE PROJECTION	

TOLERANCES (EXCEPT AS NOTED)	
DECIMAL	.X ±.1 .XX ±.010 .XXX ±.005
FRACTIONAL	±1/16
ANGULAR	±1°



THE INFORMATION CONTAINED IN THIS DRAWING IS THE SOLE PROPERTY OF LIPPERT COMPONENTS, INC. ANY REPRODUCTION IN PART OR AS A WHOLE WITHOUT THE WRITTEN PERMISSION OF LIPPERT COMPONENTS, INC. IS PROHIBITED.					
DWG. NO.	SIZE	DATE:	REV.		
360578	A	08/14/2014	B		
		SCALE:			
		1:4			
DRAWN BY	CHECKED BY	APPROVED BY	SHEET	OF	
DAL	DAL		1	1	

REFERENCE NUMBER:	.
MATERIAL TYPE:	ABS
SURFACE QUALITY:	.
DECIMAL:	.
FNSH GOOD WEIGHT:	0.969
BLANK WEIGHT:	.
BLANK SIZE:	incorrect BL X incorrect BW