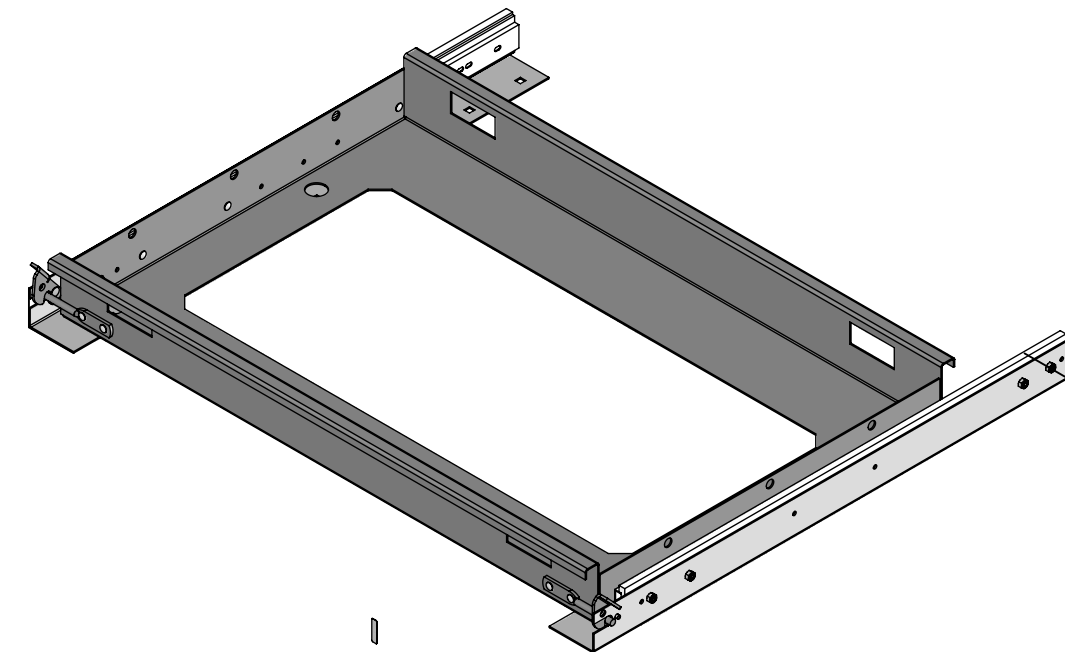

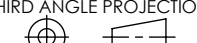


REVISION HISTORY					
REV	DATE	DESCRIPTION	ECN	DWR	APVD
A	5/29/2015	RELEASED TO PRODUCTION	ECN-SP-NP-23305	VJO	
B	9/6/2015	ADDED 380670	ECN-SP-DE-15777	NRL	
C	7/5/2016	REPLACED (8) 369296 RIVET WITH (8) 366375 RIVET	CA-0025338	MLL	JL
D	6/19/2017	REPLACED 375174 WITH 369112 & 373587 WITH 369085	CA-0079858	KWL	JML

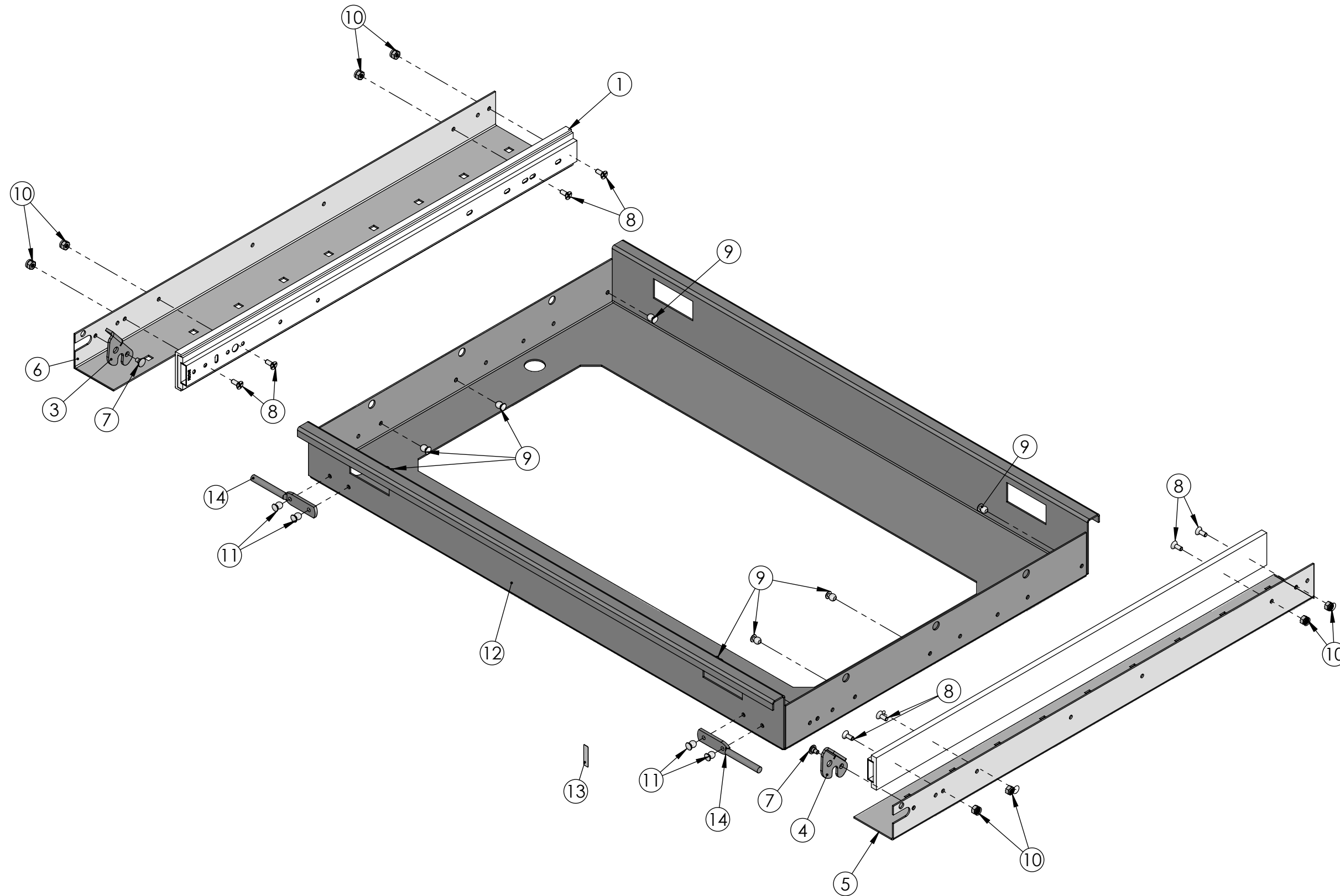


ITEM	PART NO.	CONFIG	DESCRIPTION	NAME	GA	QTY
1	370837	Default	SLIDE 26.00 477018 250LBS	SA		2
2	380670	Default	CARTON 28 3/8X 4X 35.5 SCORE 22.5 (1402620)	.	.	1
3	366479	1	.56 X 1.28 X .12 L2.25 CLEAR ZINC	ANG	11	1
4	366480	1	.56 X 1.28 X .12 L2.25 CLEAR ZINC	ANG	11	1
5	370078	1	28.00 X 2.00 X 2.63 PC GREY (3529000)	ANG	14 GA	1
6	370079	1	28.00 X 2.00 X 2.63 PC GREY(3529010)	ANG	14 GA	1
7	366376	Default	RIVET 3/16 X .138 SHLD X 3/8 FL. HD RIVET (1214610)	FASTEN		2
8	369085	Default	SCREW - #10 - 32 X 1/2 CSK ZN PH F ST	FASTEN		8
9	366375	Installed	RIVET 3/16 X .125 (SB-62)	FASTENER		8
10	369112	Default	NUT - #10 - 32 NYLOCK PLAIN (1205420)	FASTENER		8
11	369296	Installed	RIVET 3/16 X .250 (SB-64) (1214630)	FASTENER		4
12	370062	1	XMC 31.65 X 20.30 X 3.25 X 3.25 PC GRAY	HAT	14	1
13	369155	Default	LABEL KWIKKEE LOGO (1414400)	PURCH		1
14	366847	1	ROD 4.00 X .313 OD CLEAR ZINC	ROD	5/16	2

TITLE: TRAY REF/FZR 200 LB CAP LRG

UNLESS OTHERWISE SPECIFIED 1. ALL DIMENSIONS ARE IN INCHES 2. BREAK SHARP EDGES & DEBURR 3. MATERIAL & FINISH TO BE AS NOTED OR SUBSTITUTED WITH AN APPROVED AND TESTED EQUIVALENT	TOLERANCES (EXCEPT AS NOTED)		 LIPPERT COMPONENTS*	THE INFORMATION CONTAINED IN THIS DRAWING IS THE SOLE PROPERTY OF LIPPERT COMPONENTS, INC. ANY REPRODUCTION IN PART OR AS A WHOLE WITHOUT THE WRITTEN PERMISSION OF LIPPERT COMPONENTS, INC. IS PROHIBITED.			
	DECIMAL .X ±.1 .XX ±.03 .XXX ±.015	FILLETS R.015		FINISH ✓	DWG. NO. 379870	SIZE B	DATE: 5/29/2015
	FRACTIONAL ±1/16	THIRD ANGLE PROJECTION 		DRAWN BY VJO	CHECKED BY VJO	REV. D	
ANGULAR ±1°			APPROVED BY		SHEET 1 OF 2		

REFERENCE NUMBER:	PG 905570000
MATERIAL TYPE:	
SURFACE QUALITY:	
DECIMAL:	
FINISH GOOD WEIGHT:	34.271
BLANK WEIGHT:	
BLANK SIZE:	X



TITLE:		TRAY REF/FZR 200 LB CAP LRG			
UNLESS OTHERWISE SPECIFIED		TOLERANCES (EXCEPT AS NOTED)		THE INFORMATION CONTAINED IN THIS DRAWING IS THE SOLE PROPERTY OF LIPPERT COMPONENTS, INC. ANY REPRODUCTION IN PART OR AS A WHOLE WITHOUT THE WRITTEN PERMISSION OF LIPPERT COMPONENTS, INC. IS PROHIBITED.	
1. ALL DIMENSIONS ARE IN INCHES		DECIMAL	.X ±.1	DWG. NO.	379870
2. BREAK SHARP EDGES & DEBURR			.XX ±.03	SIZE	B
3. MATERIAL & FINISH TO BE AS NOTED OR SUBSTITUTED WITH AN APPROVED AND TESTED EQUIVALENT			.XXX ±.015	DATE:	5/29/2015
FILLETS R.015	FINISH ✓	FRACTIONAL	±1/16	SCALE:	1:12
THIRD ANGLE PROJECTION		ANGULAR	±1°	DRAWN BY	VJO
				CHECKED BY	VJO
REFERENCE NUMBER:	PG 905570000	APPROVED BY		SHEET	2
MATERIAL TYPE:		REV.		OF	2
SURFACE QUALITY:		D			
DECIMAL:					
FINISH GOOD WEIGHT:	34.271				
BLANK WEIGHT:					
BLANK SIZE:	X				