



# MOUNTING BRACKET KIT INSTALLATION INSTRUCTIONS

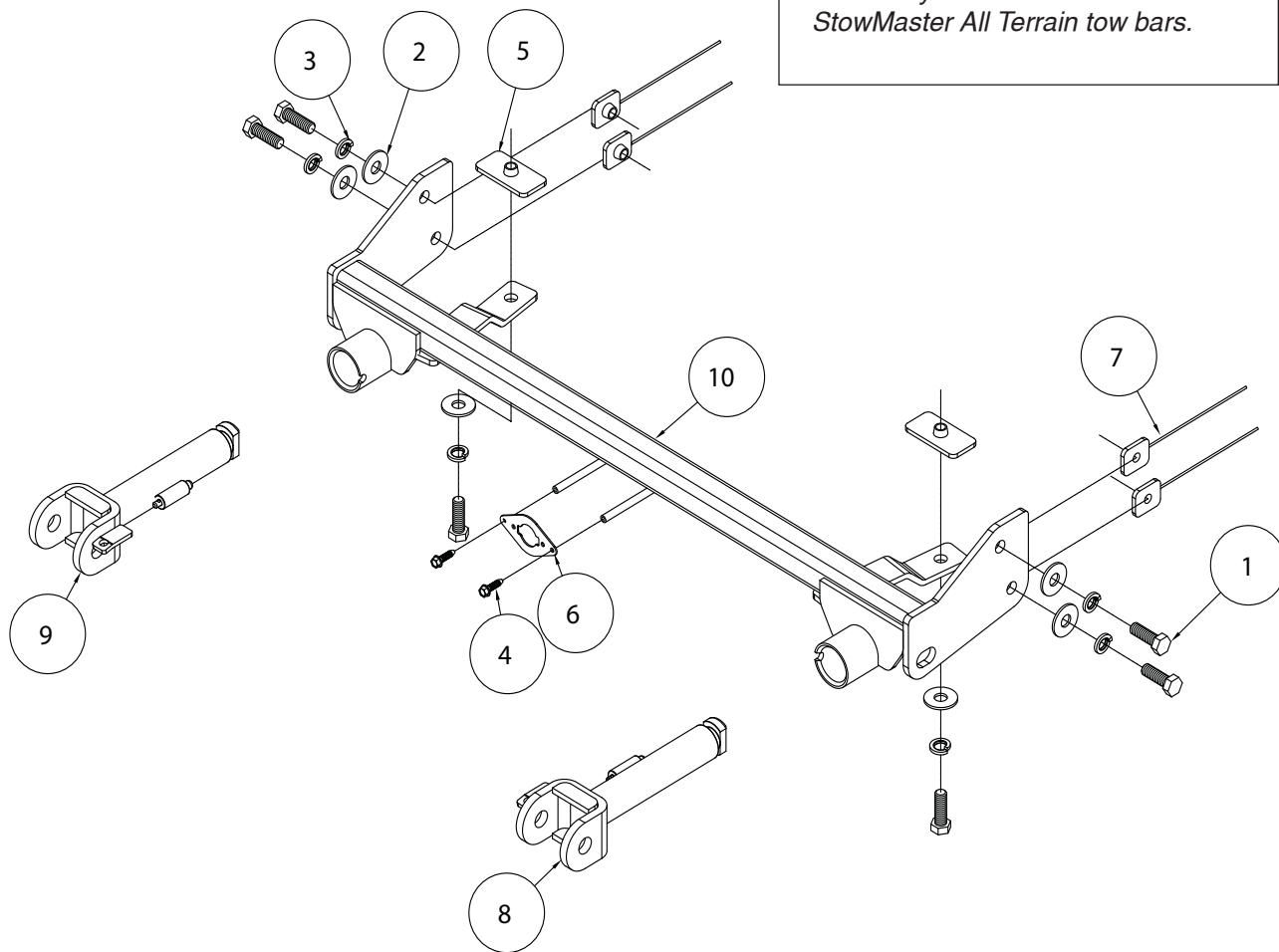
**KIT# 521448-5**

02/28/14  
KS

ROADMASTER, Inc. 6110 NE 127th Ave. Vancouver, WA 98682 360-896-0407 fax 360-735-9300 www.roadmasterinc.com

ROADMASTER, INC.

**Important**  
Note: this bracket will not accommodate the Guardian rock shield, some models of the Tow Defender, Stowaway or the StowMaster and StowMaster All Terrain tow bars.



ITEM	QTY	NAME	PART #
1.....6.....	6	1/2" x 1 1/2" BOLT.....	350095-00
2.....6.....	6	1/2" FLAT WASHER .....	350308-00
3.....6.....	6	1/2" LOCK WASHER .....	350309-00
4.....2.....	2	#10 x 3/4" SELF DRILLING SCREW.....	350247-35
5.....2.....	2	1 1/2" x 3" BACKING PLATE .....	A-003079
6.....1.....	1	WIRE PLUG PLATE .....	A-003801
7.....4.....	4	1 1/4" x 1 1/2" THREADED BACKING PLATE W/ 6" ROD.....	C-002454
8.....1.....	1	DRIVER SIDE ARM.....	C-002383
9.....1.....	1	PASSENGER SIDE ARM .....	C-002384
10.....1.....	1	MAIN RECEIVER .....	C-002725



# MOUNTING BRACKET KIT INSTALLATION INSTRUCTIONS

**KIT# 521448-5**

02/28/14  
KS

ROADMASTER, Inc. 6110 NE 127th Ave. Vancouver, WA 98682 360-896-0407 fax 360-735-9300 www.roadmasterinc.com

This is one of our EZ5 series brackets, which allows the visible front portion of the bracket to be easily removed from the front of the vehicle (Fig.A and Fig.B). The bracket consists of a main receiver brace, two removable front braces, and a hardware pack.

The main receiver brace mounts to the frame. The removable front braces install in the main receiver brace.

Before starting the installation, lay out the kit components in order, as they will be used. This will give you a visual idea of how the components work, and will also confirm that everything is present and accounted for.



Fig.A



Fig.B

**IMPORTANT:** All brackets **must** be assembled with all the bolts left loose for final adjustment and positioning (before tightening) unless otherwise instructed. All bolts **must** be torqued for proper strength. If more than one bolt is used per fastening point, the diagram may only show one.

- Use flat washers over all slotted holes
- Use lock washers on all fasteners

ROADMASTER Limited Warranty, including One-Year Conditional Warranty Text and Product Registration Card, in Carton.

## WARNING

Failure to follow these instructions can result in property damage, personal injury or even death.

- Installation of most mounting brackets requires moderate mechanical aptitude and skills. We strongly recommend professional installation by an experienced installer.
- The installer must read the instructions and use all bolts and parts supplied. Failure to do so could result in loss of the towed vehicle.
- Use Loctite® Red on all bolts used for mounting this bracket.
- Every 3,000 miles, the owner must inspect the fasteners for proper torque, according to the bolt torque requirements chart on the last page of these instructions. The owner must also inspect all mounts and brackets for cracks or other signs of fatigue every 3,000 miles. Failure to do so could result in loss of the towed vehicle.
- The owner must check the vehicle manufacturer's instructions for the proper procedure(s) to prepare the vehicle for towing. Some vehicles must be equipped with a transmission lube pump, an axle disconnect, driveline disconnect or free-wheeling hubs before they can be towed. Failure to properly equip the vehicle will cause severe damage to the transmission.
- If running changes were made by the vehicle manufacturer after this bracket was designed, some bolts or other fasteners in the hardware pack may no longer be the correct size. It is the installer's responsibility to verify that the bracket is securely fastened to the vehicle and fitted with the correct hardware to account for these changes. Failure to securely fasten the bracket could result in loss of the towed vehicle.
- If the towed vehicle has been in an accident, it must be properly repaired before attaching the bracket. Do not install the bracket if any structural frame damage is found. Failure to repair the damage could result in the loss of the towed vehicle.
- Roadmaster manufactures many styles of brackets. If your bracket has removable arms, they must be removed before driving the vehicle, unless the arms can be pinned or padlocked in place. If not secured, the arms could vibrate out, resulting in non-warranty damage or personal injury.
- Some motorhome chassis have such a tight turning radius that you can damage your motorhome, towed vehicle, tow bar or bracket while turning sharply. Before getting on the road, test your turning radius in an empty parking lot. Turning too sharply could result in non-warranty damage to towing system, motorhome and/or towed vehicle.
- Do not back up with the towed vehicle attached or non-warranty damage will occur to your towing system, motorhome and/or towed vehicle.
- The safety cables must connect the towing vehicle to the towed vehicle frame to frame, with the cables crossed, with enough slack for sharp turns. Refer to the cable instructions for proper routing. Failure to leave enough slack in the safety cables, or failure to connect the safety cables frame to frame, will result in the loss of the towed vehicle.
- This bracket is designed for use with ROADMASTER tow bars and ROADMASTER adaptors only. Using this bracket with other brands, without an approved ROADMASTER adaptor, may result in non-warranty damage or injury.
- Do not use this document for custom fabrication, as it may not show all parts or structural components. Custom fabrication or an attempt to copy this bracket design could result in loss of the towed vehicle.
- Upon final installation, the installer must inspect the bracket to ensure adequate clearance, particularly around hoses, air conditioner lines, radiators, etc., or non-warranty damage to the towed vehicle will result.
- This bracket is only warranted for the original installation. Installing a used bracket on another vehicle is not recommended and will void the warranty.

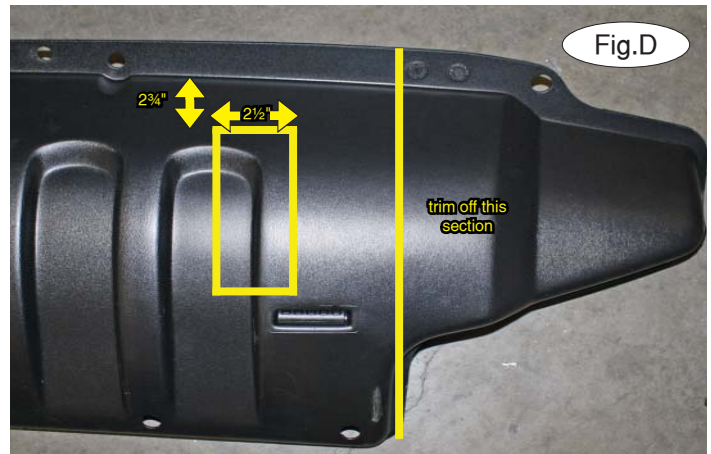


# MOUNTING BRACKET KIT INSTALLATION INSTRUCTIONS

**KIT# 521448-5**

02/28/14  
KS

ROADMASTER, Inc. 6110 NE 127th Ave. Vancouver, WA 98682 360-896-0407 fax 360-735-9300 www.roadmasterinc.com



1. **Important:** please use all supplied bolts and parts and read all instructions carefully before beginning this installation. The majority of questions you may have can be answered within the text, and proper installation will ensure safe and secure travel. Now, begin the installation by removing six plastic fasteners attaching the air dam to the fascia (Fig.C). *Note:* two of the fasteners are located behind and slightly above the air dam mount hinges. Their approximate locations are indicated with the arrows.

2. On each side, use the yellow lines in Figure D as a reference for trimming. Trim off the edge of the air dam and then measure down  $2\frac{3}{4}$ " from the upper air dam flange and then trim a  $2\frac{1}{2}$ " wide section from the center of the indentation down to just above the air dam mount hinge. Now, reinstall the trimmed air dam, reversing step 1 (Fig.E).



3. Use a jackstand or a second person to support the bracket (Fig.F). Now, place it around the frame on each side, aligning the existing holes in the bracket with the holes in the side and bottom of the subframe.

4. On each side, place a  $\frac{3}{16}$ " x  $1\frac{1}{4}$ " x  $1\frac{1}{2}$ " threaded backing plate with rod inside the frame and over the lower-most side mounting point of the bracket (Fig.G).







# MOUNTING BRACKET KIT INSTALLATION INSTRUCTIONS

**KIT# 521448-5**

02/28/14  
KS

ROADMASTER, Inc. 6110 NE 127th Ave. Vancouver, WA 98682 360-896-0407 fax 360-735-9300 www.roadmasterinc.com



5. On each side, using the supplied  $\frac{1}{2}$ " x  $1\frac{1}{2}$ " bolt, flat washer and lock washer, bolt through the lowermost side mounting point and the  $\frac{3}{16}$ " x  $1\frac{1}{4}$ " x  $1\frac{1}{2}$ " threaded backing plate with rod that you installed in the previous step (Fig.H). *Note:* ensure proper alignment, as the bolts will receive Loctite® Red and will be torqued at the end of these instructions.

6. On each side, place a  $\frac{3}{16}$ " x  $1\frac{1}{4}$ " x  $1\frac{1}{2}$ " threaded backing plate with rod inside the frame and over the uppermost side mounting point of the bracket (Fig.I). Now, using the supplied  $\frac{1}{2}$ " x  $1\frac{1}{2}$ " bolt, flat washer and lock washer, bolt through the uppermost side mounting point and the backing plate (Fig.J).



7. On each side, reach behind the air dam and place one of the supplied  $\frac{3}{16}$ " x  $1\frac{1}{2}$ " x 3" threaded backing plates in the frame crossmember. Align the threads in the backing plate with the existing hole in the frame and the main receive brace. Using the supplied  $\frac{1}{2}$ " x  $1\frac{1}{2}$ " bolt, flat washer and lock washer, bolt up through the lower mounting point of the main receiver brace and into the threaded back plate (Fig.K).

8. On each side, use a pair of pliers to remove or bend the wires on the backing plates back out of the way (Fig.L).





# MOUNTING BRACKET KIT INSTALLATION INSTRUCTIONS

**KIT# 521448-5**

02/28/14  
KS

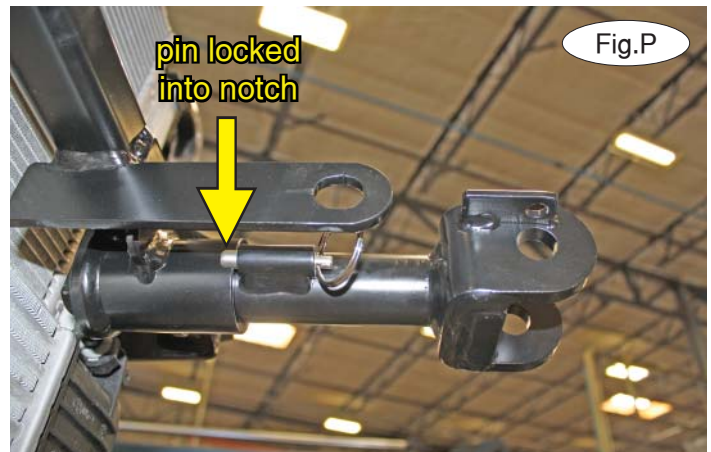
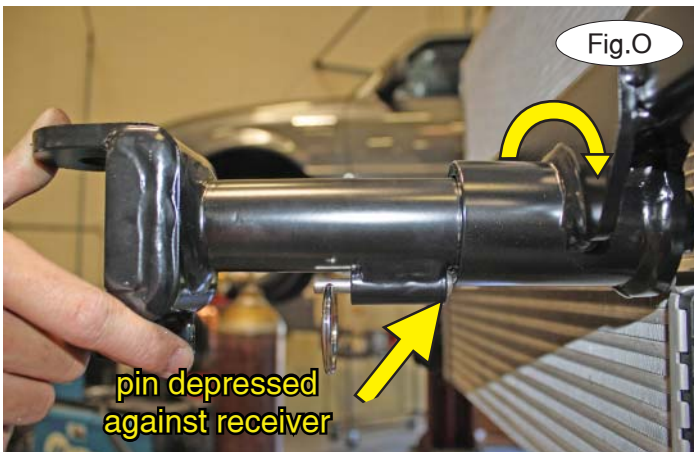
ROADMASTER, Inc. 6110 NE 127th Ave. Vancouver, WA 98682 360-896-0407 fax 360-735-9300 www.roadmasterinc.com



9. Tighten all bolts to the bolt torque requirements found at the end of these instructions. *Note:* use Loctite® Red on all nuts and bolts.

10. ***Note: the following four images are for illustration purposes only, as your specific application may be slightly different.***

The spring-loaded pin on the removable arm snaps into a notch on the receiver, locking the removable arm into its final towing position. Before inserting each arm into the receiver, verify that the spring is working by ensuring that the spring-loaded pin moves easily back and forth within the barrel when pulled and that it can be pulled flush with the face of the barrel (Fig.M and Fig.N).



11. On each side, insert the removable front bracket arm into the front receiver 90 degrees from its final towing position, depressing the spring-loaded pin against the receiver (Fig.O). Now, twist back 90 degrees until the spring-loaded pin snaps into place in the notch on the receiver, locking the arm into place in its final towing position (Fig.P).

***Please note: it is the owner's responsibility to ensure the locking of the pins before towing. Otherwise, failure of the towing system will result.***

12. Install the tow bar to the mounting bracket according to the manufacturer's instructions.





# MOUNTING BRACKET KIT INSTALLATION INSTRUCTIONS

**KIT# 521448-5**

02/28/14  
KS

ROADMASTER, Inc. 6110 NE 127th Ave. Vancouver, WA 98682 360-896-0407 fax 360-735-9300 www.roadmasterinc.com

### IMPORTANT!

**Safety cables are required by law. When towing, connect safety cables to the safety cable tab shown in Figure Q. Make certain there is adequate slack in the cables to allow a full turning radius; otherwise, damage will result. If necessary, longer cables or cable extensions are available.**

*Note:* if the bracket is so equipped, the holes in the alignment tabs which are welded to the arms and main receiver braces are for padlocks only. Under no circumstances should you bolt the alignment tabs together. Bolting the alignment tabs together may result in non-warranty damage to the bracket.

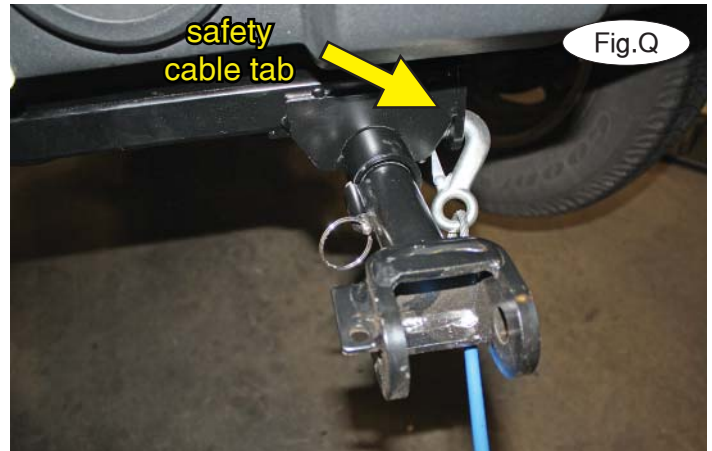


Fig.Q

### Three options for attaching the wiring plug to the main receiver brace

**For six-wire plugs:** use the two supplied 3/4" self-tapping screws to attach the electrical plug directly to the rods on the front of the main receiver brace.

**For four-wire round plugs:** attach to the plug mounting plate and then use the two supplied 3/4" self-tapping screws to attach the mounting plate to the rods on the front of the main receiver brace.

**For four-wire flat plugs:** place the plug through the mounting plug plate, and then secure it using the supplied zip tie on the front of the plug (Fig.R). Use the two supplied 3/4" self-tapping screws to attach the mounting plate to the rods on the front of the main receiver brace.



Fig.R

### BOLT TORQUE REQUIREMENTS

Note: The torque values represented below are intended as general guidelines. Torque requirements for specific applications may vary. Roadmaster does not warrant this information to be accurate for all applications and disclaims all liability for any claims or damages which may result from its use.

#### STANDARD BOLTS

Thread Size	Grade	Torque
5/16.....	5.....	13 ft./lb.
3/8.....	5.....	23 ft./lb.
7/16.....	5.....	37 ft./lb.
1/2.....	5.....	56 ft./lb.
5/8.....	5.....	150 ft./lb.

#### METRIC BOLTS

Thread Size	Grade	Plated / Unplated
8mm-1.0 .....	8.8 .....	20 ft./lb. 18 ft./lb.
8mm-1.25 .....	8.8 .....	19 ft./lb. 18 ft./lb.
10mm-1.25 .....	8.8 .....	38 ft./lb. 36 ft./lb.
10mm-1.5 .....	8.8 .....	37 ft./lb. 35 ft./lb.

#### METRIC BOLTS

Thread Size	Grade	Plated / Unplated
12mm-1.25 .....	8.8 .....	70 ft./lb. 65 ft./lb.
12mm-1.5 .....	8.8 .....	66 ft./lb. 61 ft./lb.
12mm-1.75 .....	8.8 .....	65 ft./lb. 60 ft./lb.
14mm-2.0 .....	8.8 .....	104 ft./lb. 97 ft./lb.

All illustrations and specifications contained herein are based on the latest information available at the time of publication approval. ROADMASTER, INC. reserves the right to make changes at any time without notice in material, specification and models or to discontinue models.