



Installation Manual

For N62X and N62XXX models: 6 cu.ft., 2-way, R.V. refrigerators.
For N64X and N64XXX models: 6 cu.ft., 2-way or 3-way, R.V. refrigerators.
For N64XIM and N64XIMXX models: 6 cu.ft., 2 way, R.V. refrigerators with ice maker.
For N82X and N82XXX models: 8 cu.ft., 2-way, R.V. refrigerators.
For N84X and N84XXX models: 8 cu.ft., 2-way or 3-way, R.V. refrigerators.
For N84XIM and N84XIMXX models: 8 cu.ft., 2-way, R.V. refrigerators with ice maker.

The model numbers of 3-way refrigerators include “.3”. The model numbers of 2-way refrigerators do not.

The letter “X”, in the model numbers above, stands for a letter or numeral which means a refrigerator option.



Improper installation, adjustment, alteration, service or maintenance can cause personal injury or property damage. Refer to this manual. For assistance or additional information, contact a qualified installer, service agency, or the gas supplier.

FOR YOUR SAFETY

Do not store or use gasoline or other flammable vapors and liquid in the vicinity of this or any other appliance.

FOR YOUR SAFETY

If you smell gas:

1. Open windows.
2. Don't touch electrical switches.
3. Extinguish any open flame.
4. Immediately call your gas supplier.



DO NOT install this refrigerator in below deck marine applications. Do not install this refrigerator in a fixed indoor cabin or other dwelling applications. This refrigerator must use only NORCOLD designed and approved outside air intake and exhaust ventilation for correct and safe operation. Any other ventilation could cause lethal combustion exhaust fumes and/or explosive propane gas fumes to be in the living area and/or to be below deck.

English

Table of Contents

Safety Awareness.....	2
Safety Instructions.....	2
Certification and Code Requirements.....	3
Ventilation Requirements.....	4
Key Refrigerator Dimensions.....	5
Assemble the Enclosure for the Refrigerator.....	5
Install the Lower and Upper Vents.....	6
Install the Decorative Door panels (nonmetal door models).....	10
Install the Refrigerator.....	11
Reverse the Door Swing-Nonmetal Doors (optional).....	12
Reverse the Door Swing-Metal Doors (optional).....	13
Connect the Ice Maker (N64XIM, N64XIMXX, N84XIM, and N84XIMXX models).....	15
Connect the water supply line.....	15
Connect the Electrical Components.....	16
Connect the 120 volts AC supply.....	16
Connect the 12 volts DC supply.....	17
Connect the Low Ambient Heater (optional).....	18
Connect the Propane Gas Components.....	18
Connect the propane gas supply system.....	18
Examine the gas supply system for leaks.....	19
Ignition and Start Up.....	19
Ignition and start up (N64X, N64XXX, N64XIM, N64XIMXX, N84X, N84XXX, N84XIM, and N84XIMXX models).....	19
Ignition and start up (N62X, N62XX, N82X, and N82XX models).....	21
Do a test of the gas safety valve.....	21
Shut down-all models.....	21
Fault Codes (N62X, N62XX, N82X, and N82XX models).....	22
Fault Codes (N64X, N64XXX, N64XIM, N64XIMXX, N84X, N84XXX, N84XIM, and N84XIMXX models).....	23

Safety Awareness

Read this manual carefully and understand the contents before you install the refrigerator.

Be aware of possible safety hazards when you see the safety alert symbol on the refrigerator and in this manual. A signal word follows the safety alert symbol and identifies the danger of the hazard. Carefully read the descriptions of these signal words to fully know their meanings. They are for your safety.



This signal word means a hazard, which if ignored, can cause dangerous personal injury, death, or much property damage.



This signal word means a hazard, which if ignored, can cause small personal injury or much property damage.

Safety Instructions



- **This refrigerator is not approved for use as a free standing refrigerator. It is equipped for the use of propane gas only and can not be changed to use any other fuels (natural gas, butane, etc.).**
- **Incorrect installation, adjustment, alteration, or maintenance of this refrigerator can cause personal injury, property damage, or both.**

- Obey the instructions in this manual to install intake and exhaust vents.
- Do not install the refrigerator directly on carpet. Put the refrigerator on a metal or wood panel that extends the full width and depth of the refrigerator.
- Do not allow anything to touch the refrigerator cooling system.
- Propane gas can ignite and cause an explosion that can result in property damage, personal injury, or death. Do not smoke or create sparks. Do not use an open flame to examine the propane gas supply line for leaks. Always use two wrenches to tighten or loosen the propane gas supply line connections.
- Make sure the electrical installation obeys all applicable codes. See “Certification and Code Requirements” section.
- Do not bypass or change the refrigerator’s electrical components or features.
- Do not spray liquids near electrical outlets, connections, or the refrigerator components. Many liquids are electrically conductive and can cause a shock hazard, electrical shorts, and in some cases fire.
- The refrigerator cooling system is under pressure. Do not try to repair or to recharge a defective cooling system.
- The cooling system contains sodium chromate. The breathing of certain chromium compounds can cause cancer. The cooling system contents can cause severe skin and eye burns, and can ignite and burn with an intense flame. Do not bend, drop, weld, move, drill, puncture, or hit the cooling system.



- The rear of the refrigerator has sharp edges and corners. To prevent cuts or abrasions when working on the refrigerator, use caution and wear cut resistant gloves.

Certification and Code Requirements

This refrigerator is certified by CSA International as meeting the latest edition of ANSI Z21.19 / CSA 1.4 standards for installation in mobile homes or recreational vehicles.

The refrigerator must be installed in accordance with this “Installation Manual” in order for the Norcold limited warranty to be in effect. In addition, the installation must conform to the following, as applicable:



Art01290

In the United States and Canada:

- Local codes, or in the absence of local codes, the National Fuel Gas Code, ANSI Z223.1/NFPA 54, the Natural Gas and Propane installation Code, CSA B149.1, ANSI A119.2 Recreational Vehicles Code, and CSA Z240 RV Series, Recreational Vehicles.
- A manufactured home (mobile home) installation must conform with the Manufactured Home Construction and Safety Standard, Title 24 CFR, Part 3280 [formerly the Federal Standard for Mobile Home Construction and Safety, Title 24 (part 280), and the current CSA Z240.4, Gas-equipped Recreational Vehicles and Mobile Housing.
- If an external power source is utilized, the appliance, when installed, must be electrically grounded in accordance with local codes or, in the absence of local codes, the National Electrical code, and ANSI/NFPA 70, or the Canadian Electrical Code, CSA C22.2. Parts 1 and 2.

All propane gas supply piping and fittings must obey local, state, and national codes about type and size. These components must also obey the current NFPA 1192 section 2-4, and in Canada with the current CAN 1-6.10 Standard.

Ventilation Requirements



The completed installation must:

- **Make sure there is sufficient intake of fresh air for combustion.**
- **Make sure the living space is completely isolated from the combustion system of the refrigerator.**
- **Make sure there is complete and unrestricted ventilation of the flue exhaust which, in gas mode, can produce carbon monoxide. The breathing of carbon monoxide fumes can cause dizziness, nausea, or in extreme cases, death.**
- **Make sure the refrigerator is completely isolated from its heat generating components through the correct use of baffles and panel construction.**

Certified installation needs one lower intake vent and one upper exhaust vent. Install the vents exactly as written in this manual. Any other installation method voids both the certification and the factory warranty of the refrigerator.

The bottom of the opening for the lower intake vent, which is also the service access door, must be even with or immediately below the floor level. This allows any leaking propane gas to escape to the outside and not to collect at floor level.

CSA International certification allows the refrigerator to have zero (0) inch minimum clearance at the sides, rear, top, and bottom. While there are no maximum clearances specified for certification, the following maximum clearances are necessary for correct refrigerator performance:

Bottom	0 inch min.	0 inch max.
Each Side	0 inch min	1/2 inch max.
Top	0 inch min.	1/4 inch max.
Rear	0 inch min.	1 inch max.

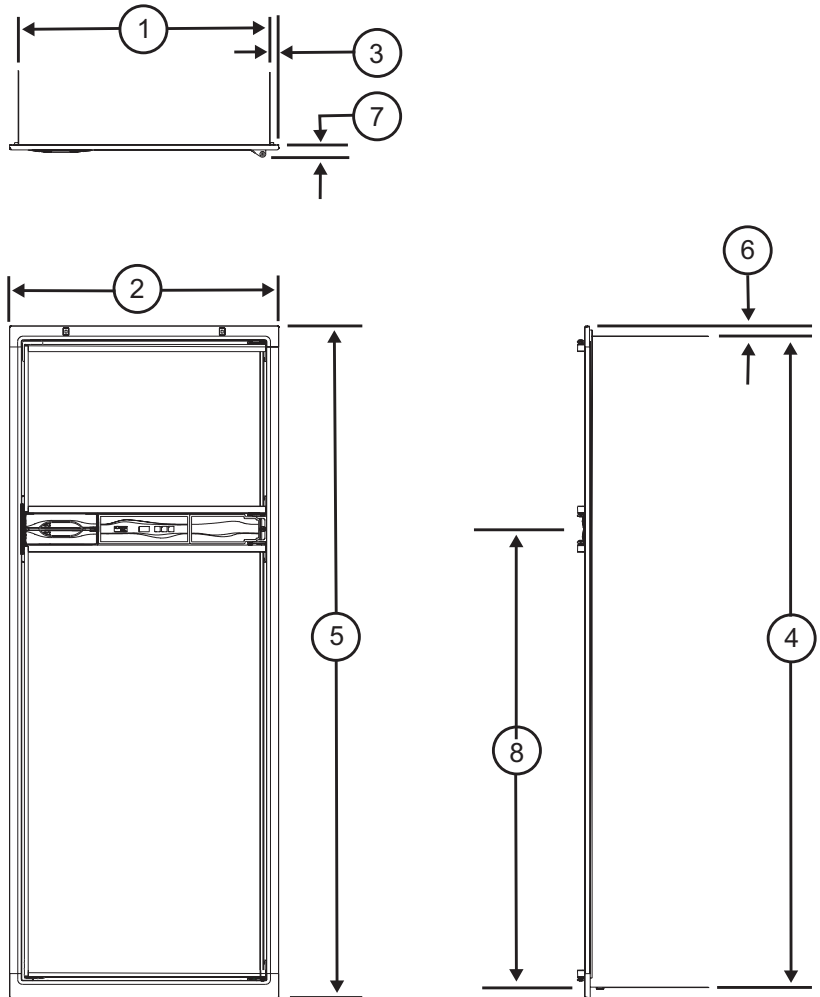
These clearances plus the lower and upper vents cause the natural air draft that is necessary for good refrigeration. Cooler air comes in through the lower vent, goes up around the refrigerator coils where it removes the excess heat from the refrigerator components, and goes out through the upper vent. If this air flow is blocked or decreased, the refrigerator will not cool correctly.

Each NORCOLD model is certified by CSA International for correct ventilation. Install only the certified vents that are listed in this manual.

Key Refrigerator Dimensions

These key refrigerator dimensions are for your reference as necessary (See Art01733).

- Refrigerator cabinet width w/o trim - 23.47 in. max. ... 1
- Refrigerator width overall w/ trim - 24.6 in. 2
- Refrigerator cabinet to side trim - 0.80 in. 3
- Refrigerator cabinet height w/o trim..... 4
 - N600 models - 52.85 in. max.
 - N800 models - 59.85 in. max.
- Refrigerator height overall w/ trim..... 5
 - N600 models - 54.5 in.
 - N800 models - 61.5 in.
- Refrigerator cabinet to top/bottom trim - 0.93 in. 6
- Enclosure wall to hinges - 1.10 in. 7
- Refrigerator cabinet to center of handles 8
 - N600 models - 32.5 in.
 - N800 models - 39.5 in.



Assemble the Enclosure for the Refrigerator

1. Make sure the enclosure is 59.88 - 60.01 inches high for N82X, N82XXX, N84X, N84XXX, N84XIM, and N84XIMXX models or 52.88 - 53.01 inches high for N62X, N62XXX, N64X, N64XXX, N64XIM, and N64XIMXX models x 23.50 - 23.63 inches wide x 24.00 inches deep.
2. Make sure the floor is solid and level.
 - The floor must be metal or a wood panel and extend the full width and depth of the enclosure.
 - The floor must be able to support the weight of the refrigerator and its contents.
3. Make sure there are no adjacent heat sources such as a furnace vent, a hot water heater vent, etc.
4. If there is more than 1/2 inch between either side of the refrigerator and the inside of the enclosure:
 - Fill the space with fiberglass insulation or add a baffle to eliminate the excess clearance.
 - Make sure that the rear of the batt-type insulation is between 18 - 19 inches from the face of the enclosure.
 - Securely attach the batt-type insulation to the enclosure so that it remains in this position during refrigerator installation, if it becomes wet, and in windy conditions.

Art01733

Install the Lower and Upper Vents

1. Using the following chart, decide which vents and rough opening (RO) sizes to use:

Certified Vent	P/N	RO Height	RO Width
Upper Roof Exhaust Cap	622293	N/A	N/A
Upper Roof Exhaust Vent	616319	24 in.	5 1/4 in.
Upper Exhaust & Lower Intake - Plastic	621156	13 3/4 in.	21 1/2 in.
Lower Square Corner Intake	616010	9 3/4 in.	19 3/8 in.

2. Install the lower intake vent (See Art01598, Art01599, and Art01602):

NOTICE *The lower intake vent is also the service access opening for the components on the rear of the refrigerator.*

WARNING **Make sure the bottom of the opening of the lower intake vent is even with or immediately below the floor level. This allows any leaking propane gas to escape to the outside and not to collect at floor level.**

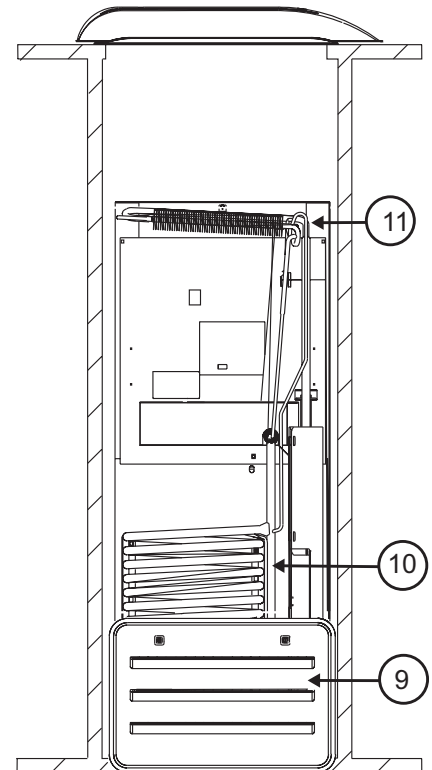
- Make sure the bottom of the opening of the lower intake vent [9] is even with or immediately below the floor level.
- Align the lower intake vent vertically below the coils [10] and the condenser [11] of the refrigerator.

3. Install the upper exhaust vent:

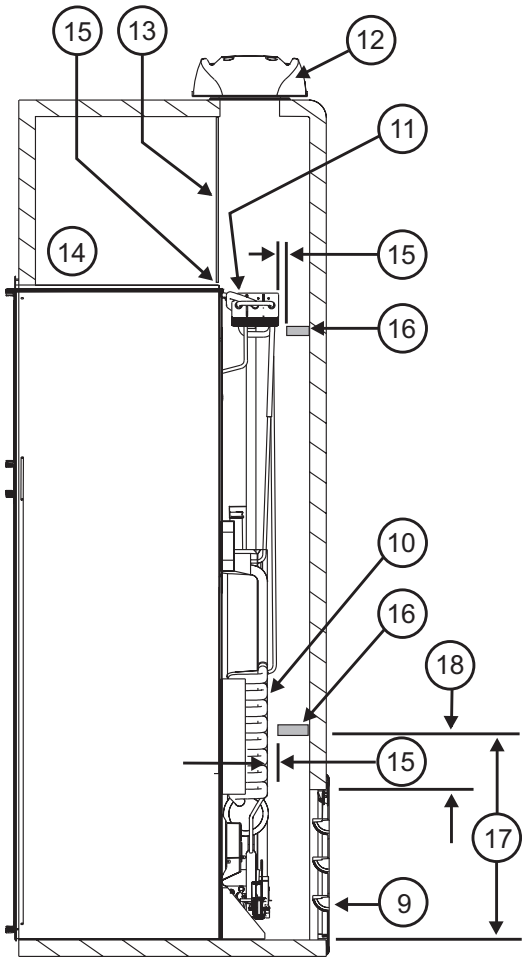
CAUTION **Make sure that no sawdust, insulation, or other construction debris is on the refrigerator or in the enclosure. Debris can cause a combustion hazard and prevent the refrigerator from operating correctly.**

NOTICE *Tighten the screws of the upper roof exhaust cap to 10 inch-pounds max. Also make sure that the air flow around the upper roof exhaust cap is not blocked or decreased by other roof mounted features such as a luggage carrier, an air conditioner, a solar panel, etc.*

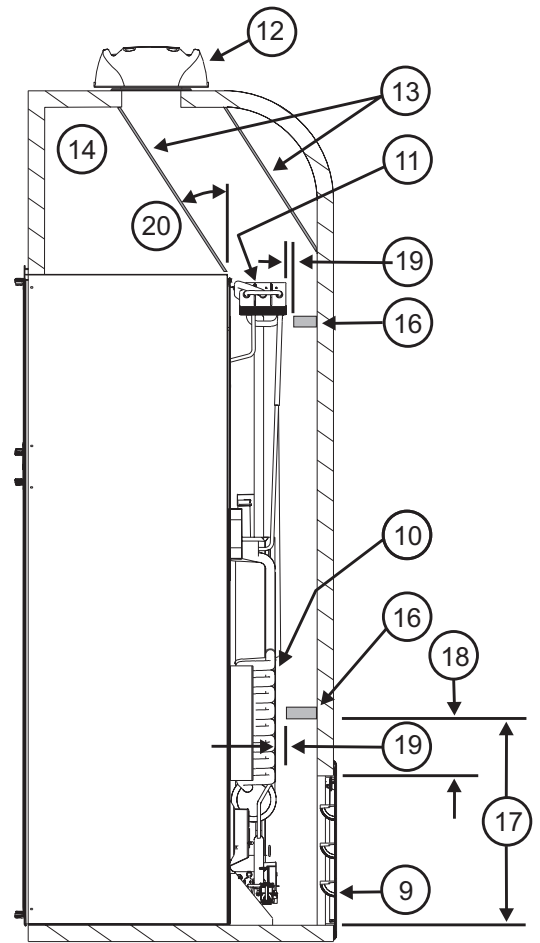
- If the design of the vehicle allows, install the roof exhaust vent [12] directly above the condenser [11] of the refrigerator (See Art01598):
 - Install a baffle [13] to prevent stagnant hot air in the area [14] above the refrigerator.
 - Make sure there is less than 1/4 inch clearance [15] between the baffle and the top of the refrigerator.
 - Make sure the baffle is the full width of the inside of the enclosure.
- If the design of the vehicle does not allow you to install the roof exhaust vent directly above the condenser [11] of the refrigerator (See Art01599):
 - Align the roof exhaust vent [12] above the condenser [11] of the refrigerator and move it inboard as necessary.
 - Install two baffles [13] to prevent stagnant hot air in the area [14] above the refrigerator.



Art01602

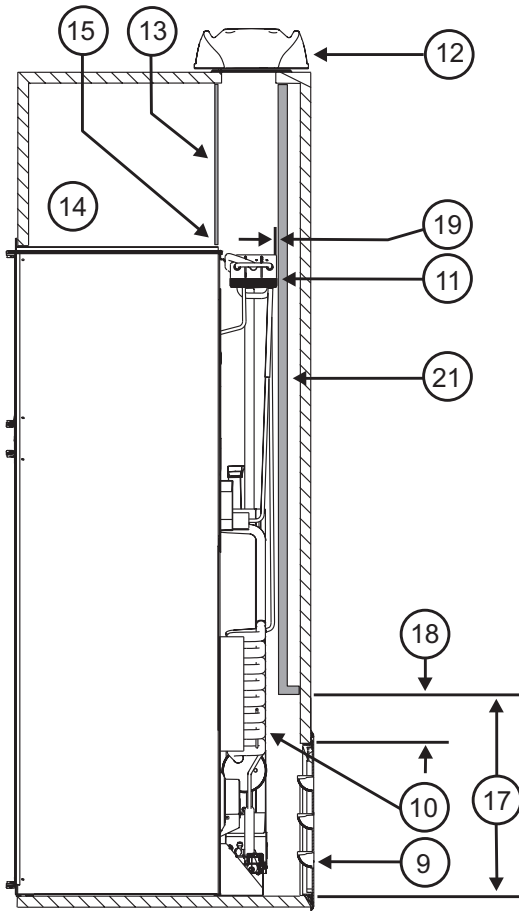


Art01598

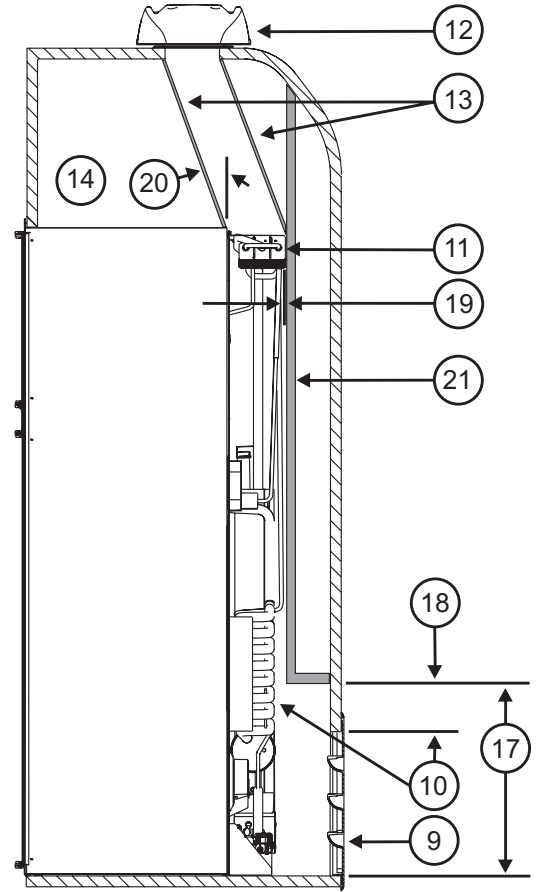


Art01599

- Make sure the baffles are the full width of the inside of the enclosure.
- Make sure that the baffles are no more than 45° from vertical [20].
- Put one baffle between the top rear edge of the refrigerator and the inside edge of the upper exhaust vent opening.
- Put the other baffle between the outside edge of the upper exhaust vent opening and the side wall of the vehicle.
- If the depth of the enclosure is 24 inches or more and is less than 25 inches, no baffles are necessary at the rear of the enclosure.
- If the depth of the enclosure is 25 inches or more and is less than 26 inches, add two baffles [16] to the rear of the enclosure (See Art01598 and Art01599).
 - Put one baffle 18 inches to 18 1/2 inches above the bottom of the enclosure [17] (4 1/4 inches to 4 3/4 inches above the top of the lower intake vent opening REF) [18] .
 - Put the other baffle at the lowest edge of the condenser [11] of the refrigerator.
 - Make sure that the baffles are 1 inch or less [19] from the coils [10] and condenser of the refrigerator.
 - Make sure that the baffles are the full width of the inside of the enclosure.



Art01617



Art01618

- If the depth of the enclosure is more than 26 inches, install a wood or an aluminum or galvanized sheet solid box baffle [21] in the rear of the enclosure (See Art01617 and Art01618).
 - Make sure that the bottom of the solid box baffle is 18 inches to 18 1/2 inches above the bottom of the enclosure [17] (4 1/4 inches to 4 3/4 inches above the top of the lower intake vent opening REF) [18].
 - Make sure that the back of the solid box baffle is perpendicular to the bottom of the enclosure.
 - Make sure that the back of the solid box baffle is either against the top of the enclosure or against the angled baffle [13] (depending on the vehicle design).
 - Make sure that the solid box baffle is one inch or less [19] from the coils [10] and condenser of the refrigerator.
 - Make sure that the solid box baffle is the full width of the inside of the enclosure.
- If the design of the vehicle does not allow you to install a roof exhaust vent, install an upper side-wall exhaust vent.

NOTICE

The refrigerator is 23.7 in. min. to 24.0 in. max. from the rear of the breaker to the rear of the condenser [22].

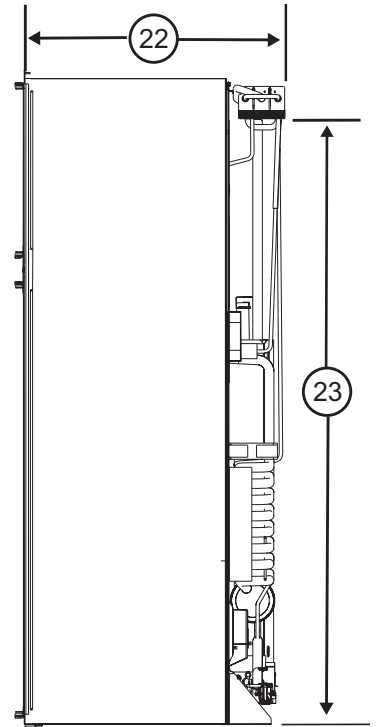
N62X, N62XXX, N64X, N64XXX, N64XIM, and N64XIMXX models are 47.1 in. min. to 47.4 in. max. from the bottom of the refrigerator to the bottom of the refrigerator condenser [23].

N82X, N82XXX, N84X, N84XXX, N84XIM, and N84XIMXX models are 54.1 in. min. to 54.4 in. max. from the bottom of the refrigerator to the bottom of the refrigerator condenser [23] (See Art01601).

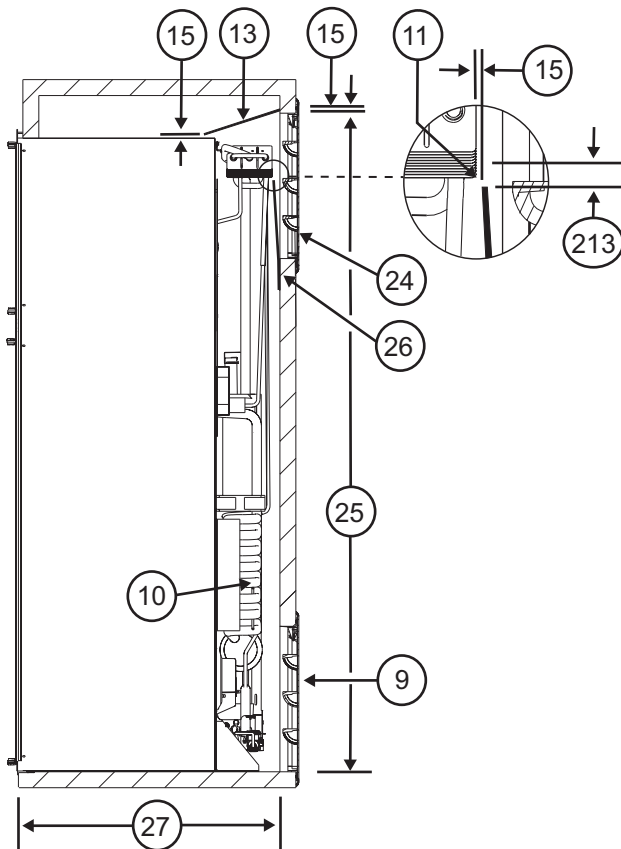


Only use an upper side-wall exhaust vent on refrigerator models that are equipped with a fan. If you use an upper side-wall exhaust vent on a refrigerator model that is not equipped with a fan, the refrigerator cooling performance will be poor.

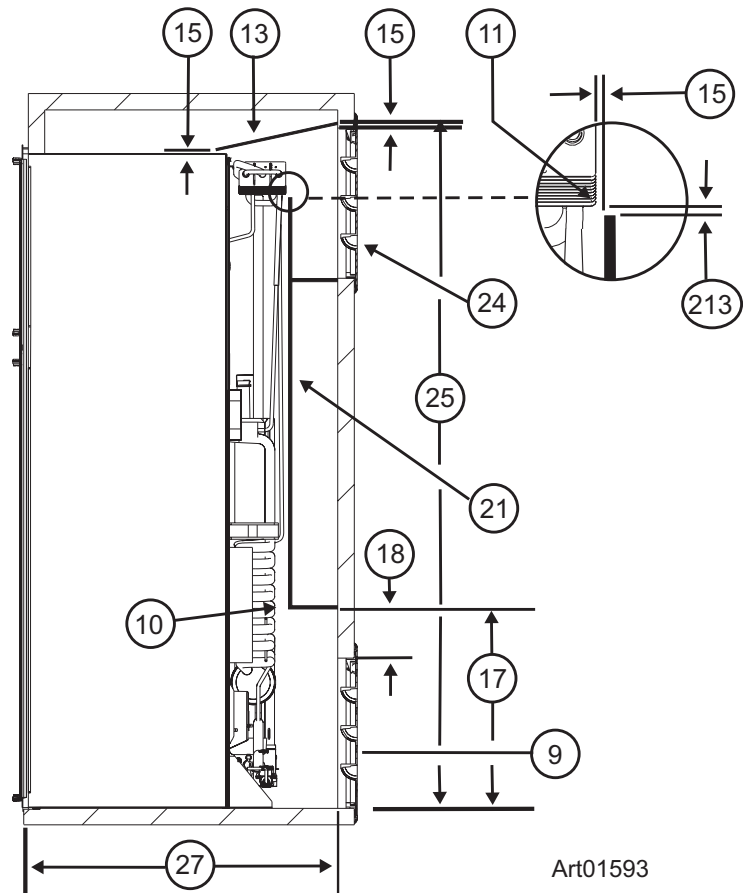
- Make sure the refrigerator model is equipped with a fan.
- Install the upper side-wall exhaust vent [24] (See Art01592 and Art01593).
 - For N62X, N62XXX, N64X, N64XXX, N64XIM, and N64XIMXX models, make sure the distance [25] from the bottom of the enclosure to the top of the rough opening for the upper exhaust vent is at least 55 inches.
 - For N82X, N82XXX, N84X, N84XXX, N84XIM, and N84XIMXX models, make sure the distance [25] from the bottom of the enclosure to the top of the rough opening for the upper exhaust vent is at least 62 inches.
- Align the upper exhaust vent [24] horizontally above the lower intake vent [9] of the refrigerator.
- To prevent stagnant hot air in the area above the refrigerator, install an aluminum or galvanized steel sheet baffle [13] between the top of the refrigerator and the top of the upper exhaust vent.
 - Make sure there is less than 1/4 inch clearance between the baffle and the top of the refrigerator and that the baffle overlaps the refrigerator 1 inch or less.



Art01601



Art01592



Art01593

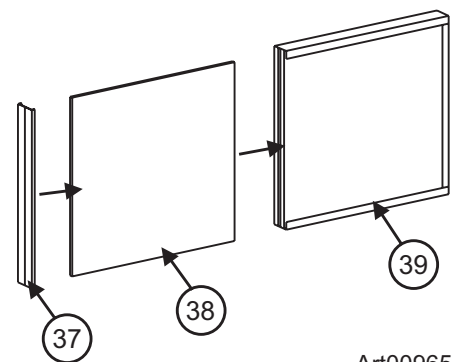
- Make sure that the baffle is against the wall of the vehicle at the top of the upper exhaust vent and 1/4 inch or less from the top of the opening for the upper exhaust vent [15].
- Make sure the baffle is the full width of the inside of the enclosure.
- When using an upper side-wall exhaust vent:
 - If the depth of the enclosure is 24 inches or more and is less than 26 inches [27], install a bent aluminum or galvanized steel sheet baffle [26] to the rear of the enclosure (See Art01592).
 - Make sure that the bend of the baffle is the full width of the inside of the enclosure.
 - Make sure that the bend of the baffle is flush with the bottom edge of the upper intake vent door frame.
 - Make sure that the top edge of the baffle is 1/4 inch [213] below the bottom of the condenser and that there is 1/4 inch or less clearance [15] between the rear of the condenser and the baffle.
 - If the depth of the enclosure is more than 26 inches [27], install a wood or an aluminum or galvanized steel sheet solid box baffle [21] between the lower intake vent and the upper exhaust vent (See Art01593).
 - Make sure that the solid box baffle is the full width of the inside of the enclosure.
 - Make sure that the bottom of the solid box baffle is 18 inches to 18 1/2 inches above the bottom of the enclosure [17] (4 1/4 inches to 4 3/4 inches above the top of the lower intake vent opening REF) [18].
 - Make sure that the back of the solid box baffle is perpendicular to the bottom of the enclosure.
 - Make sure that the horizontal top of the solid box baffle is even with the bottom edge of the upper exhaust vent [24].
 - Make sure that the vertical top edge of the baffle is between 1/4 inch [213] below the condenser and 1 1/2 inches above the bottom of the condenser.
 - Make sure that there is 1/4 inch or less clearance [15] between the rear of the condenser and the baffle.

Install Decorative Door Panels (non-metal door models)

NOTICE

The doors are made to accept decorative panels. The decorative panels must be 3/16 inch or less in thickness. Install the decorative door panels in the refrigerator doors before installing the refrigerator in the vehicle.

- Make an upper door panel that is 21 19/32 inches wide x 14 17/32 inches high.
- Make a lower door panel that is:
 - 21 19/32 inches wide and
 - 31 5/8 inches high (for N62X, N64X, and N64XIM models) or
 - 38 5/8 inches high (for N82X, N84X, and N84XIM models).
- Pull the panel retainer [37] off each door (See Art00965).
- Push the decorative door panel [38] into the slots of the door [39].
- Push each panel retainer into the slot on the edge of the door.



Art00965

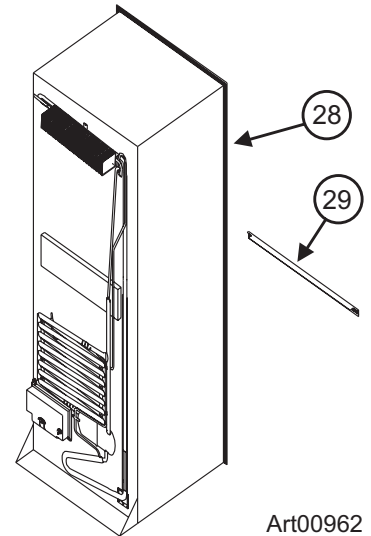
Install the Refrigerator

Put the refrigerator in position (See Art00962, Art00963, and Art00964):



Make sure the combustion seal [28] is not broken, is completely around the refrigerator mounting flanges, and is between the mounting flanges and the wall of the enclosure. If the seal is not complete, exhaust fumes can be present in the living area of the vehicle. The breathing of exhaust fumes can cause dizziness, nausea, or in extreme cases, death.

- Push the refrigerator completely into the enclosure.
- Put the upper trim piece [40] onto the front of the refrigerator.
- Put screws [41] through the upper and lower mounting flanges on the front of the refrigerator and into the enclosure wall and floor.
- Put a cap [42] on each of the screw holes in the upper trim piece [40] on the front of the refrigerator.

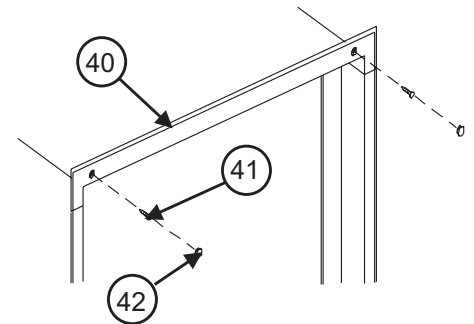


Art00962

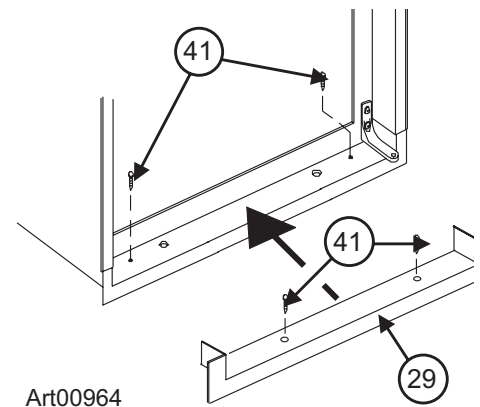


Do not omit the bottom trim piece. This piece is part of the combustion seal.

- Push the bottom trim piece [29] onto the front of the refrigerator.
- Put two screws [41] through the trim piece, the mounting flange, and into the floor.
- Put screws through mounting flange on the rear of the refrigerator and into the floor.



Art00963



Art00964

Reverse the Door Swing-Nonmetal Doors (optional)

This refrigerator has cabinet hinges that allow you to change the direction the door opens by moving the hinges on a diagonal to the opposite side.

1. Remove the doors (See Art01726):

- Remove the storage bins from the doors.

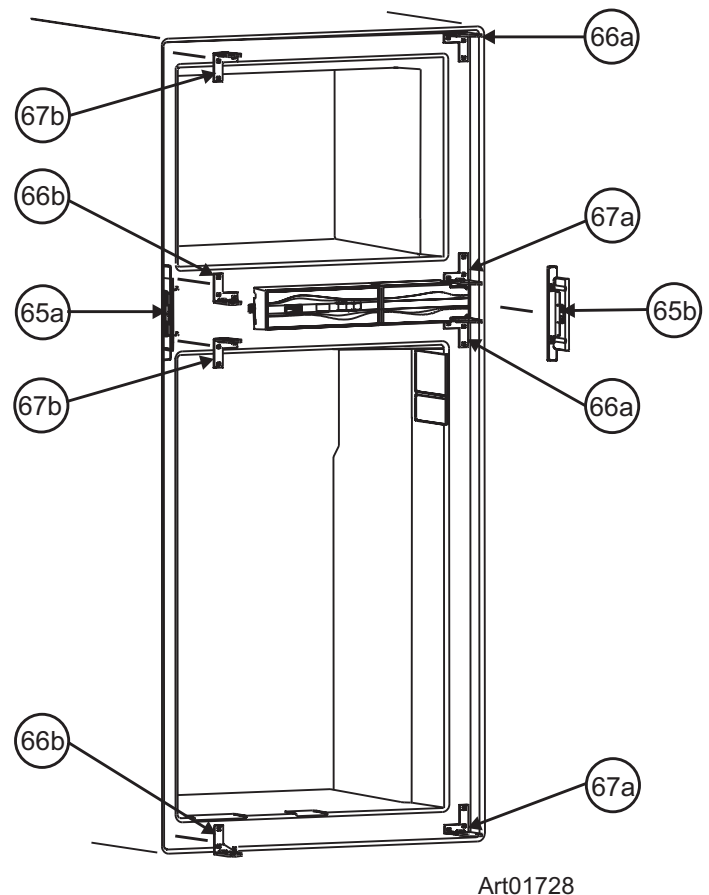
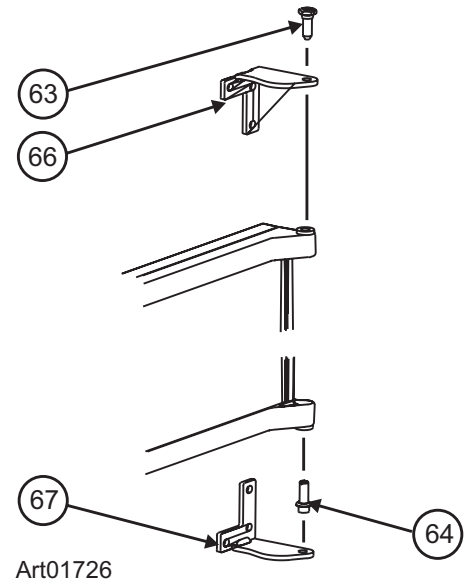
NOTICE

Do not mix the upper and lower hinge pins because they are different.

- Remove and save the upper hinge pin [63] from each hinge.
- Pull the door latch and remove each door from the refrigerator.
- Remove and save the lower hinge pin [64] from each hinge.

2. Change the position of the cabinet hinges and the strike plate (See Art01728):

- Remove and save the screws from the strike plate [65a].
- Remove the two plastic hole caps that are near the strike plate.
- Remove the L-shaped plastic covers that are opposite the hinges.
- Remove and save the screws from the upper cabinet hinge [66a] of each door.
- Put each of these hinges on the other side of the refrigerator as the lower hinge [66b].
- Attach each of these hinges with screws.
- Remove and save the screws from the lower cabinet hinge [67a] of each door.
- Put each of these hinges on the other side of the refrigerator as the upper hinge [67b].
- Attach each of these hinges with screws.
- Put the L-shaped plastic covers over the holes that were used by the hinges.
- Remove and save the screw [41] from the front box [68] (See Art01573).
- Pull the front box away from the refrigerator and out from under the controls [69].
- Reverse the front box and put it on the opposite side of the controls.
- Attach the front box to the refrigerator with the screw.
- Put the strike plate on the opposite side of the refrigerator [65b].
- Put the two round plastic caps into the holes that are near the strike plate.



3. Change the position of the door handles (See Art01727):

- Remove the screws [41] and door handle [70] from each door.
- Reverse each door handle and put the lower door handle on the upper door and the upper door handle on the lower door.
- Attach each door handle with the screws.

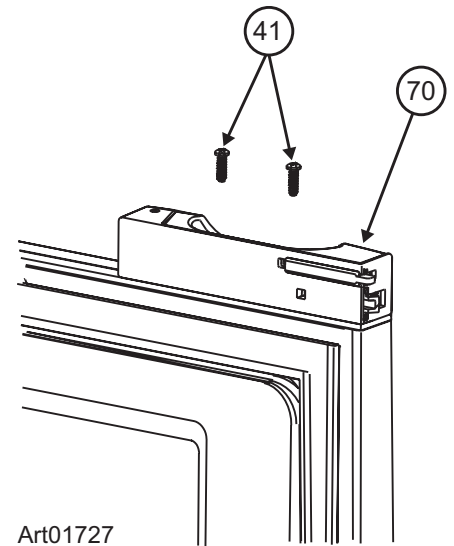
4. Reinstall the doors (See Art01726):

- Turn the lower hinge pins into the lower cabinet hinges.

NOTICE To prevent damage to the threads of the hinge pins, turn the hinge pins by hand until tight and then tighten with a screwdriver.

CAUTION Apply Loctite removable thread locker (blue) to the threads of the hinge screws before assembly to prevent loosening during use. Do not allow Loctite to contact any of the plastic surfaces of the refrigerator because it can damage those surfaces.

- Put each door down onto the lower hinge pin.
- Align the holes in the upper hinges and hold in this position.
- Turn the upper hinge pin into the hinges of each door.
- Tighten the hinge pins.
- Put the storage bins in the doors.



Reverse the Door Swing-Metal Doors (optional)

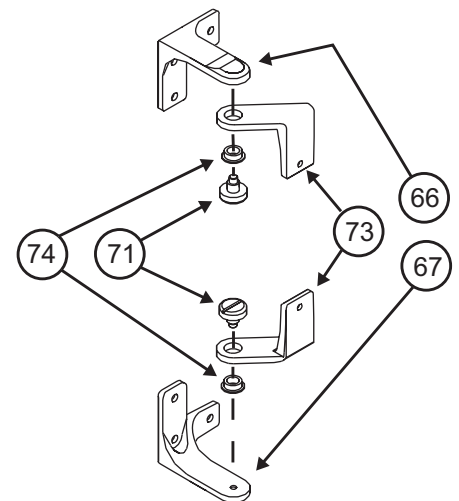
This refrigerator has door hinges that allow you to change the direction the door opens by moving the hinges on a diagonal to the opposite side.

1. Remove the doors (See Art00986):

- Remove the storage bins from the doors.
- Remove and save both hinge pins [71] from each door.
- Pull the door latch and remove each door away from the refrigerator.

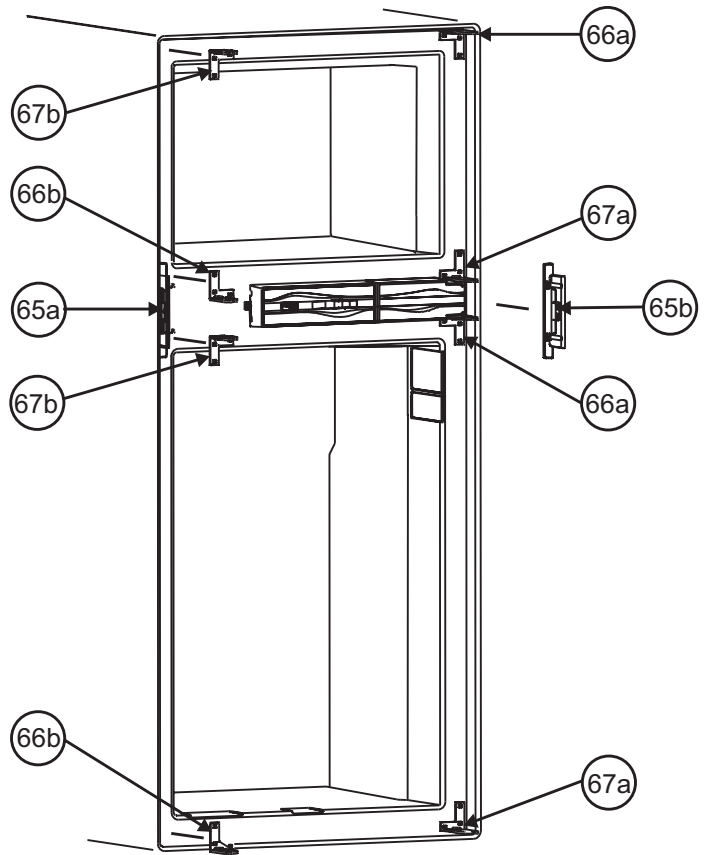
2. Change the position of the cabinet hinges and the strike plate (See Art01728):

- Remove and save the screws from the strike plate [65a].
- Remove the two plastic hole caps that are near the strike plate.
- Remove the L-shaped plastic covers that are opposite the hinges.
- Remove and save the screws from the upper cabinet hinge [67a] of each door.
- Put each of these hinges on the other side of the refrigerator as the lower hinge [67b].



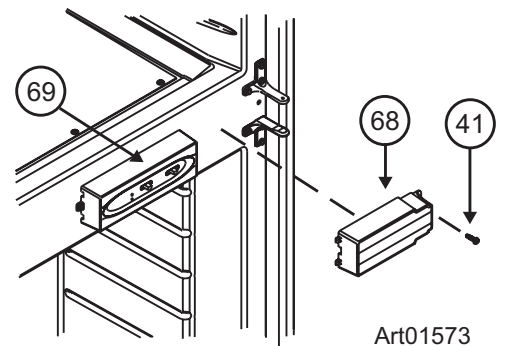
Art00986

- Attach each of these hinges with screws.
 - Remove and save the screws from the lower cabinet hinge [66a] of each door.
 - Put each of these hinges on the other side of the refrigerator as the upper hinge [66b].
 - Attach each of these hinges with screws.
 - Put the L-shaped plastic covers over the holes that were used by the hinges.
 - Remove and save the screw [41] from the front box [68] (See Art01573).
 - Pull the front box away from the refrigerator and out from under the controls [69].
 - Reverse the front box and put it on the opposite side of the controls.
 - Attach the front box to the refrigerator with the screw.
 - Put the strike plate on the opposite side of the refrigerator [65b].
 - Put the two round plastic caps into the holes that are near the strike plate.
3. Change the position of the door handles and the door hinges (See Art01695, Art00985, and Art00986):

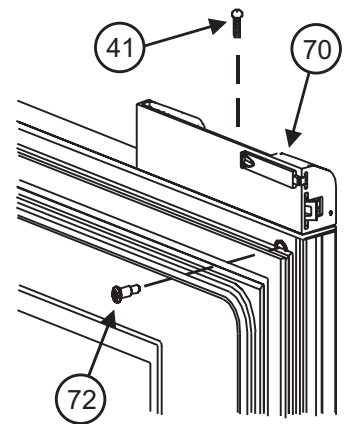


Art01728

- Remove the plastic cap that is opposite the upper hinge of the upper door.
- Remove the cap screws [72] from the door handle [70] and door hinge [73].
- Remove the screws [41] and door handle from each door.
- Remove the upper hinge of each door.
- Put each of these hinges on the other side of the door as the lower hinge.
- Attach each of these hinges with the cap screws that were removed from the other side.
 - The recommended torque for each cap screw [72] is 35 in.-lbs.
- Remove the lower hinge of each door.
- Put each of these hinges on the other side of the door as the upper hinge.
- Attach each of these hinges with the cap screws that were removed from the other side.



Art01573

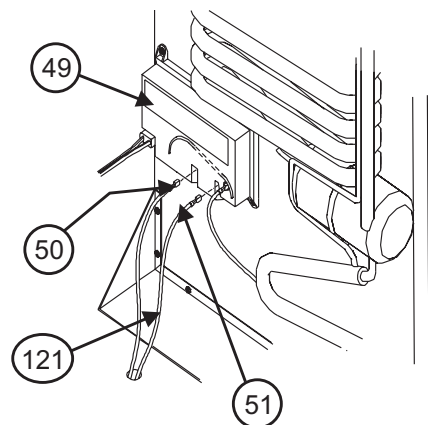


Art01695

- Reverse each door handle and put the lower door handle on the upper door and the upper door handle on the lower door.
- Attach each door handle with a cap screw [72] and screws [41].
- Put the plastic cap into the hole that is opposite the upper hinge of the upper door.

4. Reinstall the doors (See Art00986):

- Make sure each hinge bushing [74] is in the correct position.
 - Put each hinge bushing into the bottom side of each door hinge.
- Put each door in the position on the refrigerator.



Art00966

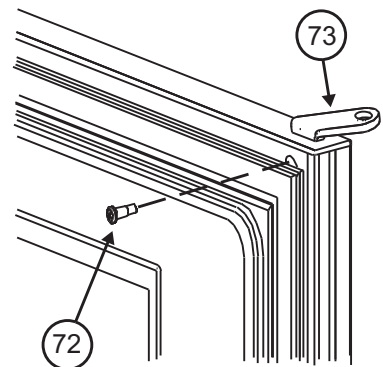
NOTICE

To prevent damage to the threads of the hinge pins, turn the hinge pins by hand until tight and then tighten with a screwdriver.

CAUTION

Apply Loctite removable thread locker (blue) to the threads of the hinge screws before assembly to prevent loosening during use. Do not allow Loctite to contact any of the plastic surfaces of the refrigerator because it can damage those surfaces.

- Align the hinges and put the hinge pins into each door.
- Tighten the hinge pins.
- Put the storage bins in the doors.



Art00985

Connect the Ice Maker (N64XIM, N64XIMXX, N84XIM, and N84XIMXX models)

The ice maker is assembled to the refrigerators at the factory as optional equipment. If the refrigerator does not have a factory installed ice maker, one can not be added to the refrigerator at a later time.

The refrigerator installer must connect a cold water supply line to the solenoid valve at the rear of the refrigerator. The following are necessary to connect the icemaker:

- 1/4 in. OD copper tubing for the water supply line.

OR

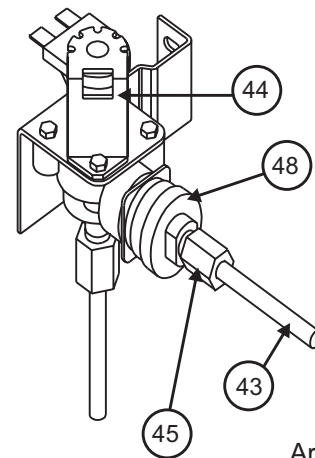
- 1/4 in. OD plastic tubing for the water supply line.
- 1/4 in. shut off valve in the water supply line. This should be easily accessible through the lower intake vent.

Connect the water supply line:

Install a 1/4 in. OD water supply line [43] from the water shut off valve of the vehicle to the solenoid water valve [44] at the rear of the refrigerator (See Art01014):

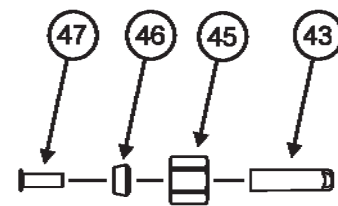
NOTICE

A brass compression nut [45], a brass sleeve, a plastic sleeve [46], and a brass insert [47] are supplied and attached to the rear of the refrigerator (See Art01755).



Art01014

- Put the compression nut and then the sleeve onto the water supply line [43].
 - For copper tubing, use the brass sleeve.
 - For plastic tubing, use the plastic sleeve [46].
 - For plastic tubing with .040 in. wall thickness, also use the brass insert [47].
 - Flush the water supply line until the water is clear.
- Put the tubing into the water valve until it is against the stop.
- Tighten the compression nut by hand (hard finger tight).
- Using two wrenches, tighten the compression nut 1 1/2 to 2 turns.
- Open the water shut off valve of the vehicle.
- Examine the connections for leaks.



Art01755

Connect the Electrical Components

AC Operation	120 volts AC voltage 12 volts DC control voltage	(132 volts max. - 108 volts min.) (15.4 volts max. - 10.5 volts min.)
DC Operation	12 volts DC control voltage	(15.4 volts max. - 10.5 volts min.)

This refrigerator operates on these electrical sources. Operation out of these limits may damage the refrigerator's electrical circuit parts and will void the warranty.



The rear of the refrigerator cooling system has hot surfaces and sharp surfaces that can damage electrical wiring. Make sure that there is a good clearance between all electrical wiring and the cooling system of the refrigerator. Position any electrical wiring within the refrigerator enclosure opposite the burner side of the refrigerator. Do not put any electrical wiring through the roof exhaust vent. Failure to correctly position electrical wiring can result in electrical shock or fire.

Connect the 120 volts AC supply:



Connect the AC power cord(s) only to a grounded three-prong receptacle. Do not remove the round ground prong from any of the AC power cords. Do not use a two prong adapter or an extension cord with any of the AC power cords. Operation of the refrigerator without correct ground can cause dangerous electrical shock or death if you are touching the metal parts of the refrigerator.

Put the AC power cord(s) into a grounded three-prong receptacle:

- Make sure the receptacle is positioned within easy reach of the lower intake vent.
- Make sure the power cord(s) does not touch the burner cover, the flue pipe, or any hot component that could damage the insulation of the power cord.

Connect the 12 volts DC supply:

As the distance from the vehicle battery to the refrigerator increases, the correct AWG wire size and fuse size also increases. If the wire size is too small for the distance, a voltage drop occurs. The voltage drop decreases the output of the system heater and causes poor cooling performance.

1. Determine the min. wire size and the max. fuse size to use:



If you use an incorrect wire size and/or fuse size, electrical fire can result.

- On 2-way models, use a minimum of 18 AWG wire and a maximum 6 Amp fuse.
 - On 3-way models, measure the distance from the vehicle battery to the refrigerator.
 - If the distance is 0 - 20 feet, use a minimum of 10 AWG wire and a maximum 30 Amp fuse.
 - If the distance is over 20 feet, use a minimum of 8 AWG wire and a maximum 40 Amp fuse.
 - If the wire size is larger than the min. size, use the correct fuse per RVIA A119.2 standard or local codes.
2. Install a fuse in DC power supply wires between the battery and the refrigerator:

- Put fuse as close to the battery as possible.

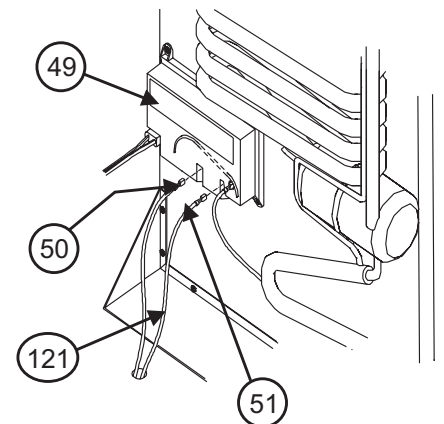
3. Connect the DC power supply wires (See Art00966):

- Attach a 1/4 inch Quick Connect terminal to each DC power supply wire.

NOTICE

Do not use the chassis of the refrigerator or the vehicle frame as one of the conductors. Attach the DC power supply wires only to the battery and the power board [49] of the refrigerator.

- Push the positive DC power wire [50] onto the power board terminal that is marked 12VDC.
- Push the DC ground wire [51] onto the power board terminal that is marked GND.
- Make sure each DC power supply wire is on the correct polarity terminal.



Art00966

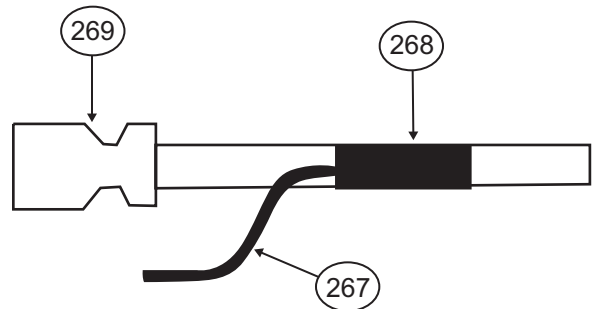
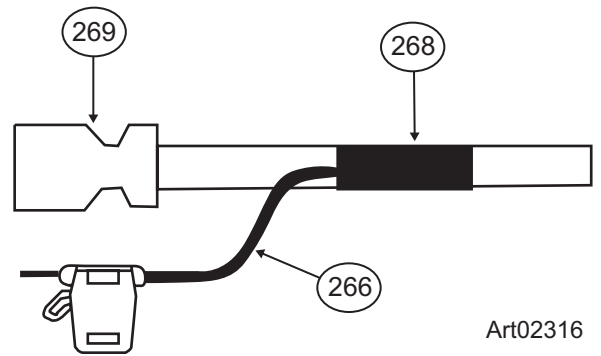
Connect the Low Ambient Heater (optional)

Connect the low ambient heater wires to the 12 volts DC supply. The black (+) wire of the low ambient heater is 16 AWG and the brown (-) wire is 18 AWG.

1. Cut the 12V input (+) wire behind the quick connect [269]; strip both ends (See Art02316).
2. Solder the wires with the 16AWG black wire [266].
3. Wrap the soldered wires with black electrical tape [268]; BE SURE there are no exposed strands.
4. Cut the 12V ground wire behind the quick connect [269]; strip both ends (See Art02317).
5. Solder the wires with the 18AWG wire [267].
6. Wrap the soldered wires with black electrical tape [268]; BE SURE there are no exposed strands.
7. Connect 12V supply to the input wires.

NOTICE

This kit supplies DC voltage to the heater any time the ambient temperature is low enough. Extended storage during cold weather will drain the vehicle batteries. To prevent battery drain, remove the 3 amp fuse from the low ambient heater.



Connect the Propane Gas Components

This refrigerator operates on propane gas at a pressure of 11 inches Water Column Propane.

The controls operate on 12 volts DC (10.5 volts min. - 15.4 volts max.). Operation out of these limits can damage the refrigerator electrical circuit parts and will void the warranty.

Connect the propane gas supply system:



Be very careful when working on or near the propane gas system.

- Do not smoke, or use an open flame near the propane gas system.
- Do not use an open flame to examine for leaks.
- Do not connect the refrigerator to the propane gas tank without a pressure regulator between them.

- To avoid a propane gas leak, always use two wrenches to tighten or loosen the propane gas supply line connections.
- Leaking propane gas leak can ignite or explode and result in dangerous personal injury or death.

Connect the gas supply line to the refrigerator:

- Make sure that all tubing and fittings obey all local, state, and national codes about size and type.
- Make sure that all flexible metal connectors obey the current CAN1-6.10 Standard.
- Make sure that the materials used for the gas supply line obey both the current ANSI A 119.2 (NFPA 1192) and CSA Z240 Standards on Recreational Vehicles. Norcold recommends the use of 3/8 inch copper tubing as the gas supply line and requires a 3/8 inch SAE (UNF 5/8-18) male flare fitting as the connection to the refrigerator.
- Put the propane gas supply line up through the floor of the enclosure.
- Make sure the hole through the floor is large enough allow clearance for the gas supply line.
- Put a weather resistant seal (grommet, sealant, etc.) around the gas supply line where it goes through the floor to prevent vibration and abrasion.
- To prevent vibration and abrasion, make sure that the gas supply line is not against anything in the enclosure.
- Attach the gas supply line to the bulkhead fitting of the refrigerator.

Examine the gas supply system for leaks:



Do not allow the leak detecting solution to touch the electrical components. Many liquids are electrically conductive and can cause electrical shorts and in some cases, fire.

Use a leak detecting solution to examine the gas supply line and all propane gas connections for leaks.

If you use compressed air for the test:

- The pressure of the compressed air at the manual shut off valve of the refrigerator must not be more than 1/2 psig (14 inches Water Column).
- If the pressure of the compressed air is more than 1/2 psig (14 inches Water Column), remove the gas supply line from the bulkhead fitting of the refrigerator before the test.
- If the pressure of the compressed air is equal to or less than 1/2 psig (14 inches Water Column), close the manual shut off valve of the refrigerator before the test.

Ignition and Start Up

Before ignition or start up of the refrigerator:

- Make sure the air flow in the lower intake vent, through the refrigerator coils and condenser, and out the upper exhaust vent is not blocked or decreased.
- Make sure there are no combustible materials in or around the refrigerator.

Ignition and start up: (N64X, N64XXX, N64XIM, N64IMXX, N84X, N84XXX, N84XIM, N84IMXX)
(See Art01018)

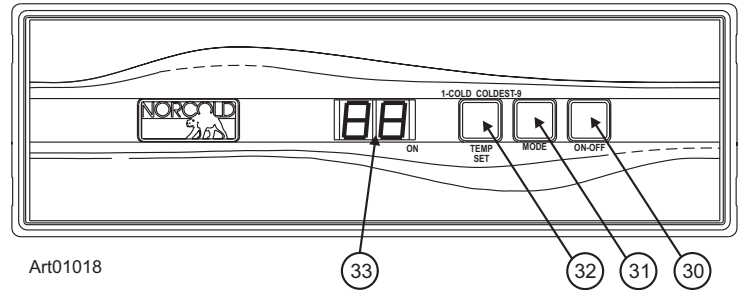


If the gas does not ignite in 30 seconds, the gas safety valve of the refrigerator automatically closes. The controls either select a different energy source or "no" "FL" appears in the center display and you will hear an alarm sound. This means that the gas did not ignite.

If the gas does not ignite after several attempts, refer to the "Fault Codes" section of this manual.

Set the controls to automatic mode operation:

- Push the ON / OFF button [30] to turn the refrigerator on.
- Push and hold the MODE button [31] until the letters "AU" show in the center display [33] and then release.
- If 120 volts AC is available to the refrigerator:
 - The letters "AU" and then "AC" show in the center display.
 - After ten seconds, the "AU" and then "AC" go off and only a green power ON light remains.
 - This means that the refrigerator is operating on AC electric.
- If 120 volts AC is not available to the refrigerator:
 - The letters "AU" and then "AC" show in the center display.
 - After five seconds, the "AU" and then "LP" show in the center display.
 - After ten seconds, the "AU" and the "LP" go off and only a green power ON light remains.
 - This means that the refrigerator is operating on propane gas.
- If neither 120 volts AC nor propane gas is available to the refrigerator:
 - The fault codes "no" "AC" and then "no" "FL" show in the center display and an audible alarm sounds.



If an energy source is available to the refrigerator, but is not operating correctly:

- A fault code shows in the center display.
- The refrigerator controls try to change to a less efficient energy source.
- If a less efficient energy source is not available:
 - An audible alarm starts.
 - A fault code shows in the center display.
 - Refer to the "Fault Codes" section of this manual.

Set the controls to manual mode operation:

- Push the ON / OFF button to turn the refrigerator on.
- Push and hold the MODE button until the letters "AC" show in the center display and then release.
 - After ten seconds, the "AC" goes off and only a green power ON light remains.
- Push and hold the MODE button until the letters "LP" show in the center display and then release.
 - After ten seconds, the "LP" goes off and only a green power ON light remain

Ignition and start up:(N62X, N62XX, N82X, and N82XXX models) (See Art01019)

NOTICE

If the gas does not ignite in 30 seconds, the gas safety valve of the refrigerator automatically closes and the controls either select a different energy source or “F” appears in the center display. This means that the gas did not ignite.

If the gas does not ignite after several attempts, refer to the “Fault Codes” section of this manual.

Automatic Mode Operation:

1. Push the ON/OFF button [30] to start the refrigerator.
2. Push the TEMP SET button [32] as needed to set the thermostat at “4-6” temperature setting.
 - If the AUTO bar [33] and AC bar [35] appear in the center display [34], it means that:
 - 120 volt AC power is available to the refrigerator.
 - The refrigerator is operating on AC electric power.
 - If the AUTO bar and the LP GAS bar [36] appear in the center display, it means that:
 - 120 volt AC power is not available to the refrigerator.
 - The refrigerator is operating on propane gas.

Manual Mode Operation:

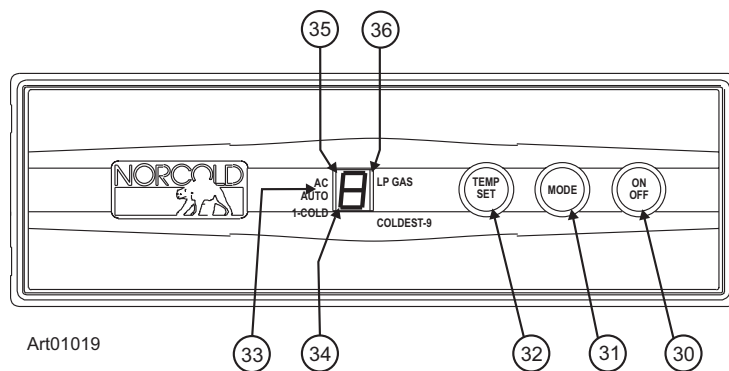
1. Push the ON/OFF button [30] to start the refrigerator.
2. Push the MODE button [31] until the AUTO bar goes off and only the LP GAS bar remains.
3. Push the TEMP SET button [32] as needed, to set the thermostat at “4-6” temperature setting.
4. The LP GAS bar remains until you select a different operating mode or shut down the refrigerator.

Do a test of the gas safety valve:

1. Start up the refrigerator in the manual mode operation.
2. Open the lower intake vent.
3. Remove one wire from the solenoid of the gas safety valve at the rear of the refrigerator.
4. Within 30 seconds, the flame should extinguish. This means that the gas safety valve is operating correctly.
5. Put the wire back on the solenoid of the gas safety valve.
6. Close the lower intake vent.

Shut down - all models:

To shut down the refrigerator, push and hold the ON/OFF button for two seconds.



**Fault Codes
(N62X, N62XXX, N82X, and N82XXX models)**

Fault Codes	Fault Code Meaning	Corrective Actions
No display.	DC voltage is unavailable to the refrigerator control panel or the refrigerator is OFF.	Check: - That the refrigerator is ON. - That the battery charging equipment of the vehicle is operational. - That the AC/DC converter is operational (if applicable). - See your dealer or authorized Norcold Service Center.
"d"	The door was open for more than 2 minutes.	Close the door.
"F"	The burner did not ignite or re-ignite.	Check: - That the valve of the propane gas tank(s) is open. - That the propane gas is at the correct pressure. - That the manual shut off valve of the refrigerator is open. - That there is no air in the propane gas supply line. See "Removing air from the propane gas supply lines" section of this manual. - See your dealer or authorized Norcold Service Center.
"A"	AC voltage is unavailable to the refrigerator control panel.	Check: - That the refrigerator is plugged into a serviceable outlet. - That the fuse or circuit breaker or the vehicle is intact. - That the vehicle generator is operational (if applicable). - See your dealer or authorized Norcold Service Center.
"C"	DC voltage to the refrigerator control panel is too low.	Check: - That the battery charging equipment of the vehicle is operational. - That the AC/DC converter is operational (if applicable). - See your dealer or authorized Norcold Service Center.
Temperature number flashes when TEMP SET button is pushed.	The refrigerator is operating on the "Back Up Operating System".	This is not owner serviceable. See your dealer or authorized Norcold Service Center.
"H"	This is a fault within the refrigerator controls.	This is not owner serviceable. See your dealer or authorized Norcold Service Center.
"I"	This is a fault within the refrigerator controls.	This is not owner serviceable. See your dealer or authorized Norcold Service Center.
"S"	This is a fault within the refrigerator controls.	This is not owner serviceable. See your dealer or authorized Norcold Service Center.

Fault Codes
(N64X, N64XXX, N64XIM, N64XIMXX, N84X, N84XXX, N84XIM, and N84XIMXX models)

Fault Codes	Fault Code Meaning	Corrective Actions
No display.	DC voltage is unavailable to the refrigerator control panel or the refrigerator is OFF.	Check: - That the refrigerator is ON. - That the battery charging equipment of the vehicle is operational. - That the AC/DC converter is operational (if applicable). - See your dealer or authorized Norcold Service Center.
"dr" Audible alarm also.	The door was open for more than 2 minutes.	Close the door.
"no" "FL" Audible alarm also.	The burner did not ignite or re-ignite.	Check: - That the valve of the propane gas tank(s) is open. - That the propane gas is at the correct pressure. - That the manual shut off valve of the refrigerator is open. - That there is no air in the propane gas supply line. See "Removing air from the propane gas supply lines" section of this manual. - See your dealer or authorized Norcold Service Center.
"no" "AC" Audible alarm also.	AC voltage is unavailable to the refrigerator control panel.	Check: - That the refrigerator is plugged into a serviceable outlet. - That the fuse or circuit breaker or the vehicle is intact. - That the vehicle generator is operational (if applicable). - See your dealer or authorized Norcold Service Center.
"dc" "LO"	DC voltage to the refrigerator control panel is too low.	Check: - That the battery charging equipment of the vehicle is operational. - That the AC/DC converter is operational (if applicable). - See your dealer or authorized Norcold Service Center.
Temperature number flashes when TEMP SET button is pushed.	The refrigerator is operating on the "Back Up Operating System".	This is not owner serviceable. See your dealer or authorized Norcold Service Center.
"AC" "rE" Audible alarm also.	This is a fault within the refrigerator controls.	This is not owner serviceable. See your dealer or authorized Norcold Service Center.
"dc" "rE" Audible alarm also.	This is a fault within the refrigerator controls.	This is not owner serviceable. See your dealer or authorized Norcold Service Center.
"AC" "HE" Audible alarm also.	This is a fault within the refrigerator controls.	This is not owner serviceable. See your dealer or authorized Norcold Service Center.
"dc" "HE" Audible alarm also.	This is a fault within the refrigerator controls.	This is not owner serviceable. See your dealer or authorized Norcold Service Center.
"Sr" Audible alarm also.	This is a fault within the refrigerator controls.	This is not owner serviceable. See your dealer or authorized Norcold Service Center.



Manuel d'installation

Réfrigérateurs pour véhicules de plaisance modèles	
N62X et N62XXX	- 6 pi ³ , à double alimentation
N64X et N64XXX	- 6 pi ³ , à double ou triple alimentation
N64XIM et N64XIMXX	- 6 pi ³ , à double alimentation, avec machine à glaçons
N82X et N82XXX	- 8 pi ³ , à double alimentation
N84X et N82XXX	- 8 pi ³ , à double ou triple alimentation
N84XIM et N84XIMXX	- 8 pi ³ , à double alimentation, avec machine à glaçons

Les numéros de modèle des réfrigérateurs à triple alimentation comportent le suffixe "3". Les numéros de modèle des réfrigérateurs à double alimentation ne comportent pas de suffixe.

La lettre « X », dans les numéros de modèle ci-dessus, représente une lettre ou un chiffre correspondant à une option de réfrigérateur.



AVERTISSEMENT

Une faute d'installation, de réglage, de modification, de réparation ou d'entretien peut causer des préjudices corporels ou matériels. Se reporter aux instructions de ce manuel. Pour tous renseignements ou assistance, entrer en rapport avec un installateur qualifié, un réparateur compétent, ou la compagnie de distribution de gaz.

POUR VOTRE SÉCURITÉ

Ne pas entreposer ni utiliser d'essence ni d'autres liquides ou vapeurs inflammables près de ce réfrigérateur ou de tout autre appareil ménager.

POUR VOTRE SÉCURITÉ

En cas d'odeur de gaz

1. Ouvrir les fenêtres
2. Ne toucher à aucun interrupteur électrique
3. Éteindre toute flamme nue
4. Appeler immédiatement la compagnie de distribution de gaz



AVERTISSEMENT

NE PAS installer ce réfrigérateur sous le pont dans des applications marines. Ne pas installer ce réfrigérateur dans une couchette intérieure fixe ou dans toute autre unité d'habitation. Ce réfrigérateur doit être installé en utilisant uniquement les dispositifs d'admission d'air extérieur et d'évacuation conçus et approuvés par NORCOLD pour assurer un fonctionnement fiable en toute sécurité. Les autres systèmes de ventilation peuvent libérer des gaz de combustion mortels ou des concentrations de gaz propane explosives dans le lieu de séjour et/ou sous le pont.

Français

Table des matières

Sens de la prudence.....	2
Consignes de sécurité.....	2
Certification et codes à respecter.....	3
Exigences en matière de circulation d'air.....	4
Dimensions Importantes du Réfrigérateur.....	5
Préparation du logement du réfrigérateur.....	5
Installation des dispositifs de prise d'air et d'évacuation.....	6
Installation des panneaux décoratifs de porte.....	10
Installation du réfrigérateur.....	11
Inversion du pivotement de la porte-Portes non métalliques (facultatif).....	12
Inversion du pivotement de la porte-Portes métalliques (facultatif).....	13
Raccordement de la machine à glaçons (modèles N64XIM, N64XIMXX, N84XIM, et N84XIMXX).....	15
Branchement de la canalisation d'eau.....	15
Connexions électriques.....	16
Raccordement de l'alimentation 120 V c.a.....	16
Raccordement de l'alimentation 12 V c.c.....	17
Raccordement de chauffage à basse température ambiante (option).....	18
Raccordement des éléments du système fonctionnant au gaz propane.....	18
Raccordement de l'alimentation en gaz.....	18
Recherche de fuites.....	19
Allumage et mise en route.....	19
Allumage et mise en route (modèles N64X, N64XXX, N64XIM, N64XIMXX, N84X, N84XXX, N84XIM, et N84XIMXX).....	19
Allumage et mise en route (modèles N62X, N62XXX, N82X, et N82XXX).....	21
Vérification de la soupape de sûreté du gaz.....	21
Arrêt - tous modèles.....	21
Codes de défaillance (modèles N62X, N62XXX, N82X, et N82XXX).....	22
Codes de défaillance (modèles N64X, N64XXX, N64XIM, N64XIMXX, N84X, N84XXX, N84XIM, et N84XIMXX).....	23

Sens de la prudence

Lire attentivement ce manuel et bien comprendre les instructions avant d'installer le réfrigérateur.

Être conscient des risques possibles d'accident lorsque le symbole d'alerte apparaît sur le manuel ou est placé sur le réfrigérateur. Un mot suit le symbole et identifie le type de risque. Lire attentivement la définition de ces risques pour bien les comprendre. Ces symboles ont été placés pour des raisons de sécurité.



Ce mot signifie, que si le risque est ignoré, il existe une possibilité de blessure grave, voire de mort ou de dégâts matériels importants.



Ce mot signifie, que si le risque est ignoré, il existe une possibilité de blessure légère ou de dégâts matériels.

Consignes de sécurité



- **Le réfrigérateur n'est pas approuvé pour être utilisé comme appareil indépendant. Il est équipé pour fonctionner au gaz propane uniquement et ne peut accepter d'autres carburants (gaz naturel, butane, etc.).**
- **Une installation incorrecte, un mauvais réglage, la modification de l'appareil, ou un entretien défectueux peut entraîner des blessures, des dégâts matériels ou les deux. Suivre les instructions du manuel pour installer les dispositifs de prise d'air ou d'évacuation.**

- Ne pas installer le réfrigérateur directement sur le tapis de sol. Le poser sur une planche de bois ou un panneau en métal de dimensions compatibles à celles de l'appareil.
- Le gaz propane peut s'enflammer et causer une explosion avec pour conséquences la possibilité de dégâts matériels, de blessures ou de mort. Ne pas fumer ni créer d'étincelles pendant les travaux sur l'alimentation en gaz. Ne pas utiliser de flamme nue pour rechercher les fuites au niveau des conduites ou des raccords. Pour éviter les fuites toujours possibles, toujours utiliser deux clés pour serrer ou desserrer les raccords des conduites de gaz.
- Ne pas laisser quoi que ce soit toucher le système frigorifique du réfrigérateur.
- S'assurer que l'installation électrique est conforme à tous les codes applicables. Se reporter à la section "Certification et codes à respecter".
- Ne pas remplacer les composants électriques ni modifier les caractéristiques de l'appareil et ne pas effectuer de dérivation.
- Ne pas pulvériser de liquide près des prises électriques, raccords, ou près des éléments constitutifs du réfrigérateur. Beaucoup de liquides sont conducteurs et peuvent causer un choc électrique, des courts-circuits, et éventuellement provoquer un incendie.
- Le système de refroidissement du réfrigérateur est sous pression. Ne pas tenter de réparer ou de recharger un système de refroidissement défectueux.
- Le système contient du chromate de sodium. L'inhalation de certains composés de chrome peut être cause de cancer. Le produit du système de refroidissement peut causer des brûlures sévères des yeux et de la peau et il s'enflamme et brûle avec une flamme intense. Ne pas tordre, laisser tomber, souder, percer, déplacer, fissurer ni faire d'impact sur le système de refroidissement.



- L'arrière du réfrigérateur comporte des angles et des bords effilés. Pour éviter les coupures et l'érosion de la peau lors des travaux sur le réfrigérateur, être très attentif, et porter des gants résistant aux coupures.

Certification et codes à respecter

Ce réfrigérateur est homologué par la section International de l'ACNOR comme conforme à la dernière édition des normes ANSI Z21.19 / CSA 1.4 en ce qui concerne l'installation dans des caravanes résidentielles ou véhicules de loisir.

Pour que la garantie limitée Norcold puisse entrer en vigueur, l'installation du réfrigérateur doit être conforme au présent « Manuel d'installation ». De plus, elle doit respecter les éléments suivants, lorsqu'ils sont applicables :



Art01290

Aux États-Unis et au Canada :

- Les codes locaux, ou, à défaut, le code National Fuel Gas Code, les normes ANSI Z223.1/NFPA 54, le code Natural Gas and Propane installation Code, la norme CSA B149.1, le code ANSI A119.2 Recreational Vehicles Code et les normes CSA Z240 RV Series, Recreational Vehicles.
- L'installation des maisons préfabriquées (caravanes résidentielles) doit se conformer à la norme Manufactured Home Construction and Safety Standard, titre 24 CFR, partie 3280 [anciennement dénommée Federal Standard for Mobile Home Construction and Safety, titre 24 (partie 280), et à la norme à jour CSA Z240.4, Gas-equipped Recreational Vehicles and Mobile Housing.
- Si une source d'alimentation externe est employée, l'appareil électroménager doit, à son installation, faire l'objet d'une mise à la terre électrique conforme aux codes locaux ou, à défaut de tels codes, conforme au code National Electrical code et aux normes ANSI/NFPA 70, ou au Code canadien d'électricité, CSA C22.2. parties 1 et 2.

Tous les tuyaux et raccords d'arrivée de gaz propane doivent respecter les codes locaux, provinciaux et fédéraux s'appliquant à leurs types et dimensions. Ces éléments doivent également être conformes à la norme à jour NFPA 1192 section 2-4, et, au Canada, à la norme à jour CAN 1-6.10.

Exigences en matière de circulation d'air



Vérifier que l'installation est conforme aux exigences suivantes :

- S'assurer que l'apport en air frais est suffisant pour assurer la combustion.
- S'assurer que le lieu de séjour est complètement isolé du système de combustion du réfrigérateur.
- S'assurer que l'évacuation des fumées est complète et sans obstacles car il peut y avoir production de monoxyde de carbone. L'inhalation de monoxyde de carbone peut entraîner des étourdissements, des nausées, ou, dans les cas extrêmes, la mort.
- S'assurer que le réfrigérateur est totalement isolé des éléments générateurs de chaleur au moyen de déflecteurs appropriés et d'un aménagement adéquat.

L'installation certifiée nécessite l'utilisation d'une prise d'air extérieur inférieure et d'un dispositif d'évacuation supérieur. Placer les dispositifs en suivant à la lettre les instructions de ce manuel. Le non-respect de cette consigne annule la certification du réfrigérateur et la garantie de l'usine.

Le bas de l'ouverture pour la prise d'air inférieure qui fait également fonction de porte d'accès pour l'entretien doit se trouver au niveau du plancher ou juste au-dessous, afin de permettre l'évacuation des fuites éventuelles de propane vers l'extérieur, sans risque de concentration de gaz au niveau du plancher.

La certification délivrée par CSA International permet d'avoir un espace minimum nul (0 pouce) entre les parois du réfrigérateur (latérales, arrière, supérieure et inférieure) et le logement. Bien que la norme ne précise aucune valeur pour l'espace maximum pour la certification, il est nécessaire de respecter les valeurs suivantes pour assurer une réfrigération satisfaisante :

Dessous	Mini 0 pouce	Maxi 0 pouce
Chaque côté	Mini 0 pouce	Maxi ½ pouce
Dessus	Mini 0 pouce	Maxi ¼ pouce
Arrière	Mini 0 pouce	Maxi 1 pouce

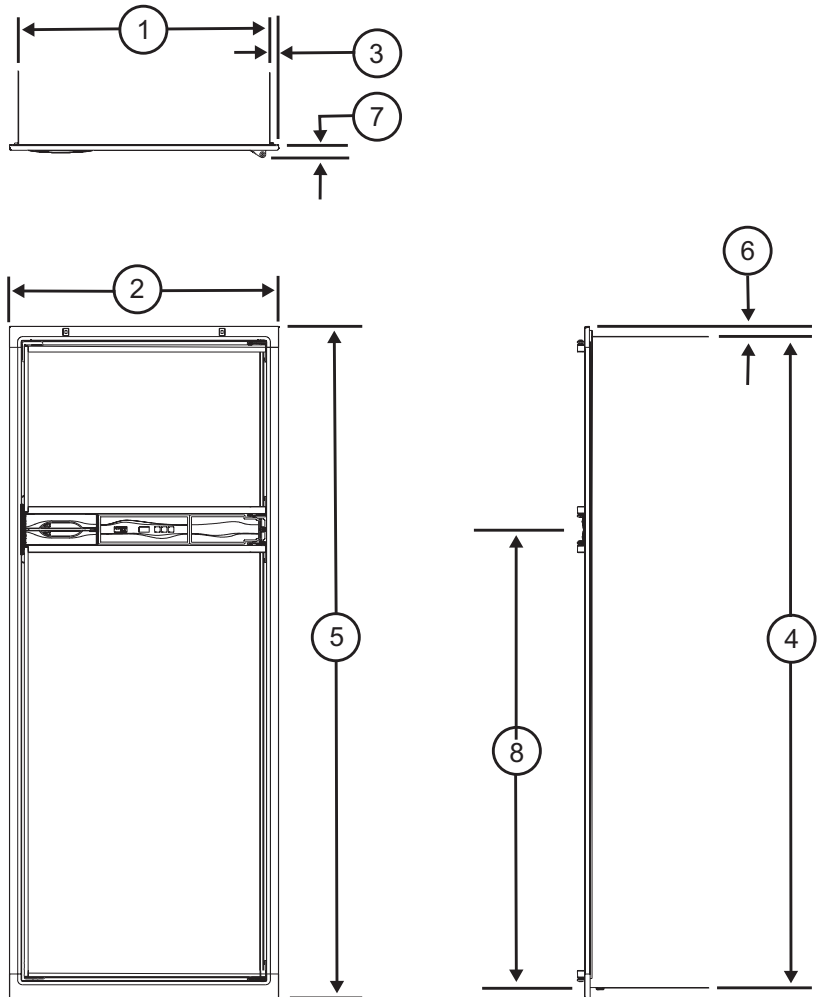
Ces espaces ajoutés aux dispositifs de prise d'air inférieur et d'évacuation supérieur assurent la circulation d'air nécessaire pour une bonne réfrigération. L'air plus frais arrive par la prise d'air inférieure, monte le long du serpentín d'où il absorbe la chaleur dégagée par les éléments du réfrigérateur et est évacué par l'orifice de sortie supérieur. Si le débit d'air est ralenti ou bloqué, le réfrigérateur ne refroidira pas correctement.

La certification par CSA International de chaque modèle NORCOLD couvre la ventilation correcte de l'appareil. Installer uniquement les dispositifs de prise d'air et d'évacuation certifiés identifiés dans ce manuel.

Dimensions Importantes du Réfrigérateur

Ces dimensions importantes du réfrigérateur sont données à titre de référence en cas de besoin (voir Art01733).

Largeur de la caisse du réfrigérateur sans garniture – 23,47 po maxi.....	1
Largeur totale du réfrigérateur avec garniture – 24,6 po.....	2
Distance entre la caisse du réfrigérateur et la garniture latérale – 0,80 po.....	3
Hauteur de la caisse du réfrigérateur sans garniture.....	4
N600 modèles - 52,85 po maxi	
N800 modèles - 59,85 po maxi	
Hauteur totale du réfrigérateur avec garniture.....	5
N600 modèles - 54,5 po	
N800 modèles - 61,5 po	
Distance entre la caisse du réfrigérateur et la garniture supérieure/inférieure – 0,93 po.....	6
Distance entre la paroi de l'enceinte et les charnières – 1,10 po.....	7
Distance entre la caisse du réfrigérateur et le centre des poignées.....	8
N600 modèles - 32,5 po	
N800 modèles - 39,5 po	



Préparation du logement du réfrigérateur

- S'assurer que la hauteur du logement est de 59,88 - 60,01 pouces pour les modèles N82X, N82XXX, N84X, N84XXX, N84XIM, et N84XIMXX ou de 52,88 - 53,01 pour les modèles N62X, N62XXX, N64X, N64XXX, N64XIM, et N64XIMXX, la largeur de 23,50 - 23,63 pouces et la profondeur de 24 pouces.
- S'assurer que le plancher est de niveau et suffisamment résistant :
 - Le plancher doit être métallique ou en bois et de largeur et de profondeur égales à celles du logement.
 - Le plancher doit pouvoir supporter le poids du réfrigérateur et de son contenu.
- S'assurer qu'il n'existe aucune source de chaleur près du réfrigérateur, telle une évacuation de chaudière, une évacuation de radiateur à eau chaude, etc.
- S'il y a plus de 1/2 po entre un côté du réfrigérateur et l'intérieur de l'enceinte :
 - Remplir l'espace d'isolant (en natte) en fibre de verre ou ajouter un déflecteur pour éliminer le dégagement.
 - L'arrière de l'isolant en natte doit être entre 18 et 19 po de la face de l'enceinte.
 - Bien fixer l'isolant en natte à l'enceinte de façon à ce qu'il reste dans cette position durant l'installation du réfrigérateur, s'il devient mouillé et s'il y a du vent.

Art01733

Installation des dispositifs de prise d'air et d'évacuation

1. À l'aide du tableau suivant, déterminer les ouvertures brutes (OB) et les types de dispositifs à utiliser.

Dispositif certifié	N° de pièce	OB (hauteur)	OB (largeur)
Supérieur, évacuation Par le toit , capuchon	622293	S/O	S/O
Supérieur, évacuation Par le toit	616319	24 po	5 ¼ po
Inférieur, prise d'air en angle	616010	9 ¾ po	19 3/8 po
Universel, supérieur et inférieur, plastique	621156	13 ¾ po	21 ½ po

2. Installer la prise d'air inférieure (se reporter à Art01598, Art01599 et Art01602) :

AVIS La prise d'air inférieure sert également de trappe d'accès pour l'entretien des éléments situés à l'arrière du réfrigérateur.

AVERTISSEMENT S'assurer que le bas de l'ouverture pour la prise d'air inférieure se trouve au niveau du plancher ou juste en-dessous, afin de permettre l'évacuation des fuites éventuelles de propane vers l'extérieur, sans risque de concentration de gaz au niveau du plancher.

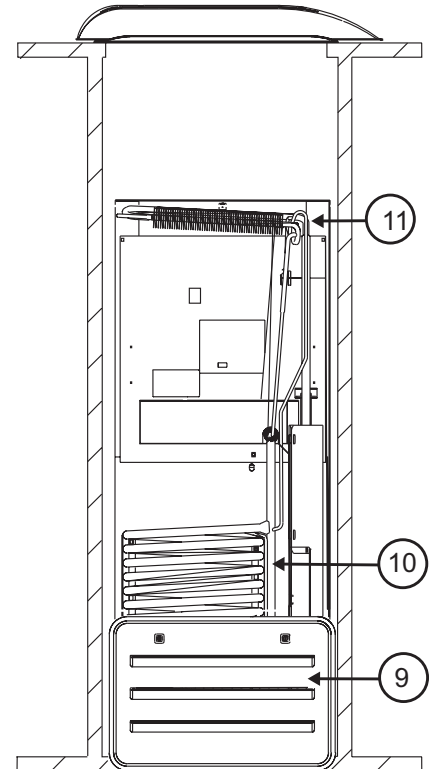
- S'assurer que le bas de l'ouverture pour la prise d'air inférieure [9] se trouve au niveau du plancher ou juste en-dessous.
- Aligner la prise d'air inférieure dans le plan vertical sous le serpentín [10] et le condenseur [11] du réfrigérateur.

3. Installer le dispositif d'évacuation supérieur :

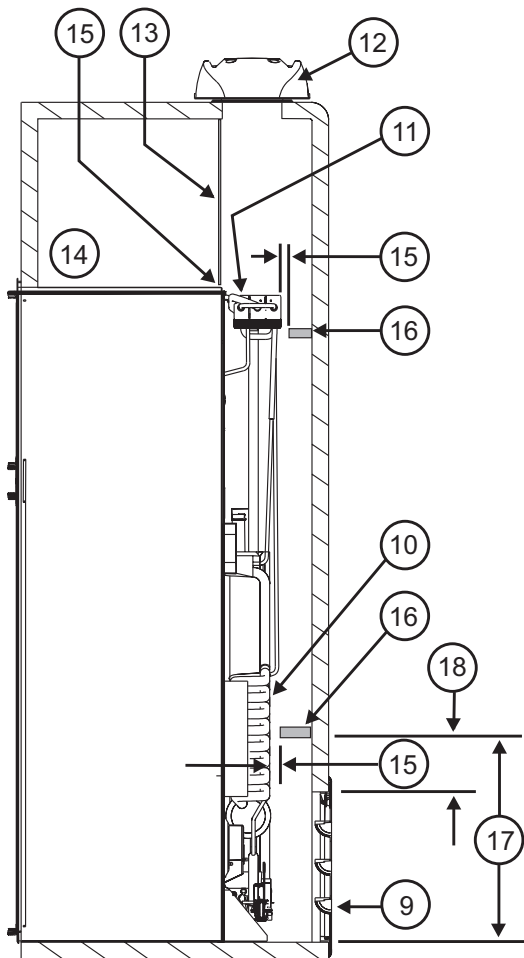
ATTENTION S'assurer de l'absence de sciure, morceaux de matériaux d'isolation ou autres débris de construction sur le réfrigérateur et dans le logement. Ces débris présentent un risque d'incendie et peuvent affecter le bon fonctionnement du réfrigérateur.

AVIS Serrer les vis du capuchon du dispositif d'évacuation supérieur au couple maximal de 10 po-lb. S'assurer également que la circulation de l'air autour du capuchon n'est pas bloquée ni entravée par d'autres équipements montés sur le toit tels une galerie, un climatiseur, un panneau solaire, etc.

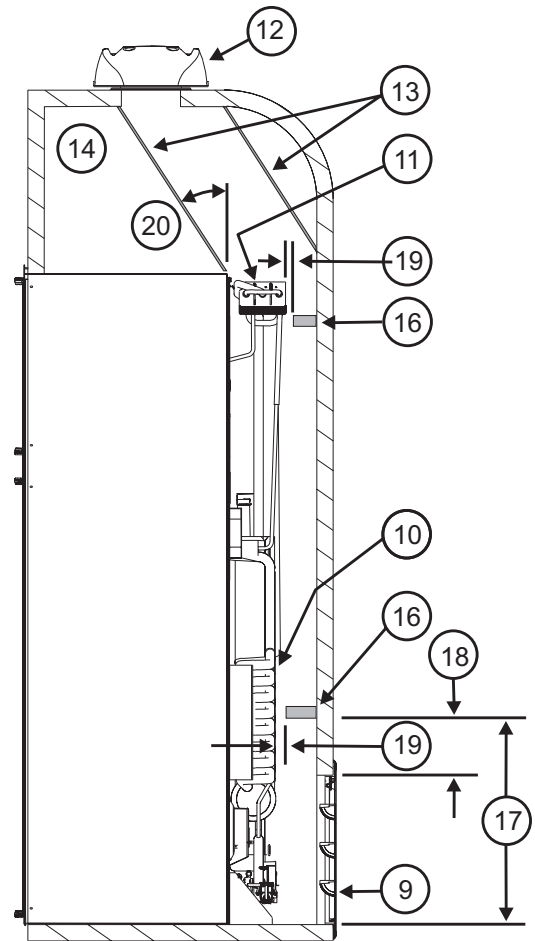
- Si la conception du véhicule le permet, installer le dispositif d'évacuation par le toit [12] directement au-dessus du condenseur [11] du réfrigérateur (se reporter à Art01598) :
 - Installer un déflecteur [13] pour éviter la formation d'air chaud stagnant dans la partie [14] au-dessus du réfrigérateur.
 - S'assurer que l'espace [15] entre le déflecteur et le dessus du réfrigérateur est inférieur à ¼ pouce.
 - S'assurer que le déflecteur fait toute la largeur intérieure du logement.
- Si la conception du véhicule ne permet pas l'installation du dispositif d'évacuation par le toit directement au-dessus du condenseur [11] du réfrigérateur (se reporter à Art01599):
 - Centrer le dispositif d'évacuation par le toit [12] au-dessus du condenseur [11] du réfrigérateur, mais le déplacer vers l'intérieur suivant besoin :
 - Installer deux déflecteurs [13] pour éviter la formation d'air chaud stagnant dans la partie [14] au-dessus du réfrigérateur.



Art01602

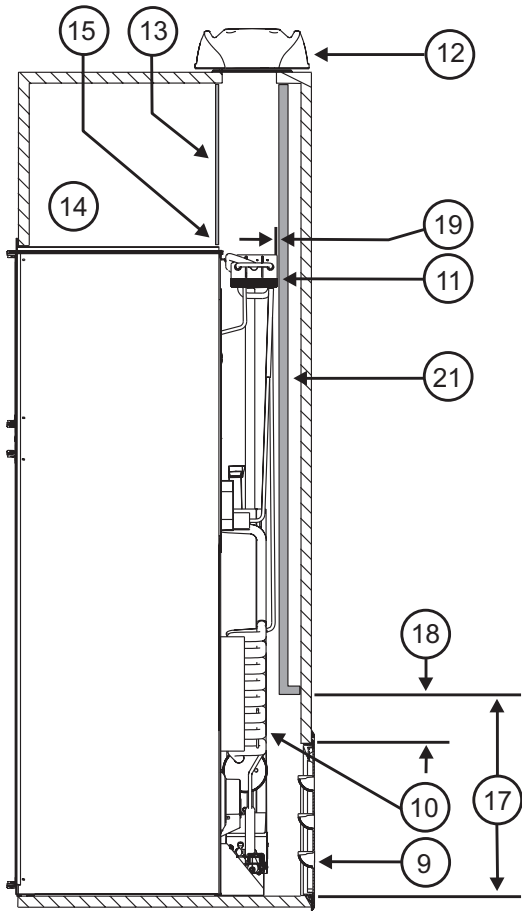


Art01598

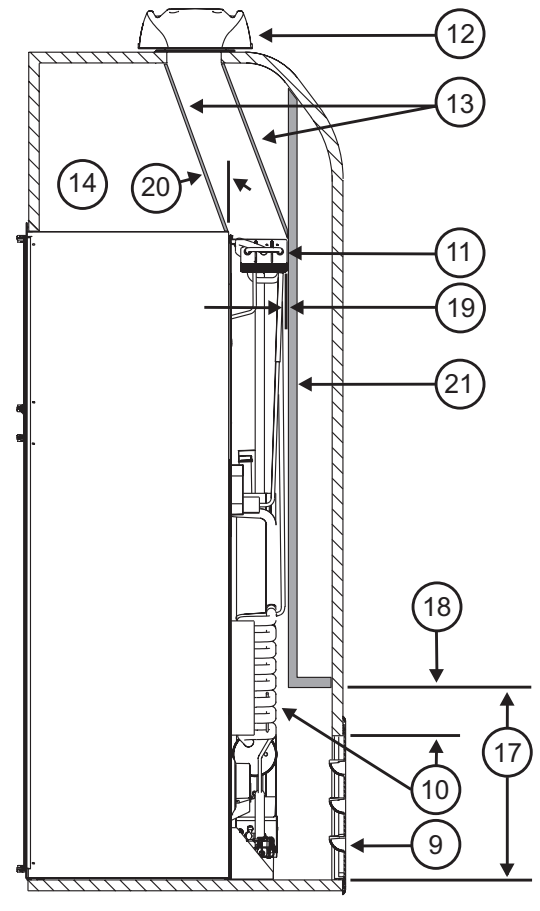


Art01599

- S'assurer que les deux déflecteurs font toute la largeur intérieure du logement.
 - S'assurer que les deux déflecteurs ne font pas un angle supérieur à 45° par rapport à la verticale [20].
 - Placer un déflecteur entre le bord supérieur arrière du réfrigérateur et le bord intérieur de l'ouverture du dispositif d'évacuation supérieur.
 - Placer l'autre déflecteur entre le bord extérieur de l'ouverture du dispositif d'évacuation supérieur et la paroi verticale du véhicule.
- Si la profondeur du logement est égale ou supérieure à 24 pouces, sans toutefois dépasser 25 pouces, il est inutile d'installer des déflecteurs à l'arrière du logement.
 - Si la profondeur du logement est égale ou supérieure à 25 pouces, sans toutefois dépasser 26 pouces, ajouter deux déflecteurs [16] à l'arrière du logement (se reporter à Art 01598 et Art 01599).
 - Placer un déflecteur à une distance comprise entre 18 et 18,5 pouces au-dessus du plancher du logement [17] (soit 4 ¼ à 4 ¾ pouces au-dessus de la partie supérieure de l'ouverture de la prise d'air inférieure (REF) [18]).
 - Placer l'autre déflecteur au bord inférieur du condenseur [11] du réfrigérateur.
 - S'assurer que les déflecteurs se trouvent à une distance égale ou inférieure à 1 pouce [9] du serpentin [10] et du condenseur du réfrigérateur.
 - S'assurer que les déflecteurs font toute la largeur intérieure du logement.



Art01617



Art01618

- Si la profondeur du logement est supérieure à 26 pouces, installer un déflecteur à cadre plein en bois, en aluminium ou en tôle d'acier galvanisée [21] à l'arrière du logement (se reporter à Art 01617 et Art 01618).
 - S'assurer que le bas du déflecteur à cadre plein se trouve à une distance comprise entre 18 et 18,5 pouces au-dessus du plancher du logement [17] (soit 4 ¼ à 4 ¾ pouces au-dessus de la partie supérieure de l'ouverture de la prise d'air inférieure (REF [18]).
 - S'assurer que l'arrière du déflecteur à cadre plein est perpendiculaire au plancher du logement.
 - S'assurer que l'arrière du déflecteur à cadre plein se trouve contre la partie supérieure du logement ou contre le déflecteur en angle [13] (suivant la conception du véhicule).
 - S'assurer que le déflecteur à cadre plein se trouve à une distance égale ou inférieure [19] à un pouce du serpentin [10] et du condenseur du réfrigérateur.
 - S'assurer que le déflecteur fait toute la largeur intérieure du logement.
- Si la conception du véhicule ne permet pas d'installer un dispositif d'évacuation par le toit, installer un dispositif d'évacuation latéral en hauteur.



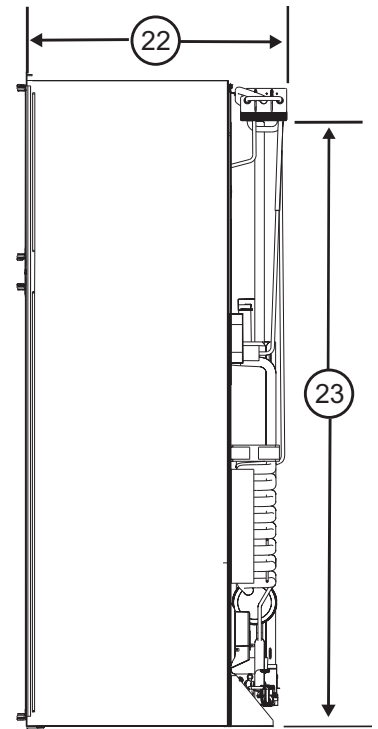
La distance entre l'arrière de l'amortisseur et l'arrière du condenseur est comprise entre 23,7 po mini et 24 po maxi. [22].

La distance entre le bas du réfrigérateur et la partie inférieure du condenseur est comprise entre 47,1 po mini et 47,4 po maxi pour les modèles N62X, N62XXX, N64X, N64XXX, N64XIM, et N64XIMXX [23], et comprise entre 54,1 po mini et 54,4 po maxi pour les modèles N82X, N82XXX, N84X, N84XXX, N84XIM, et N84XIMXX [23] (se reporter à Art01601).

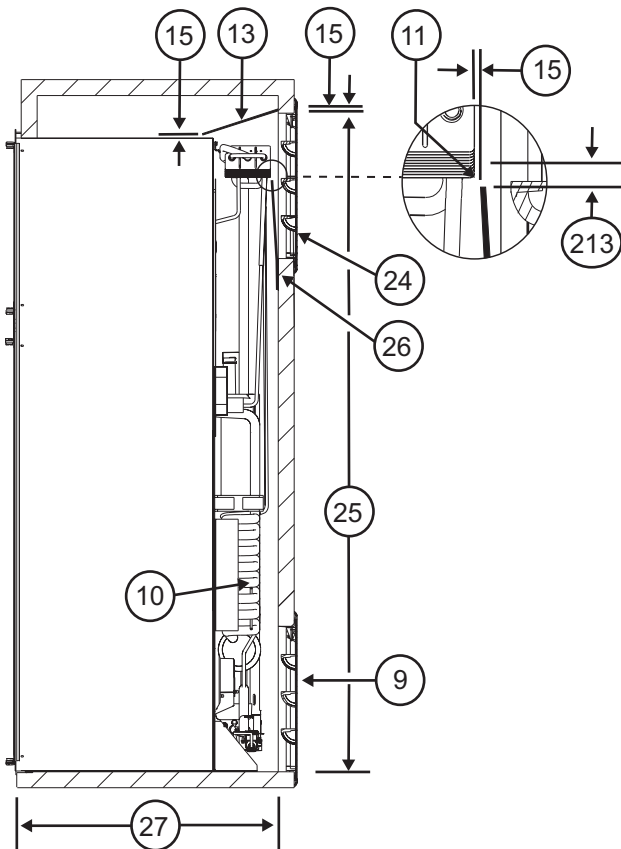


N'utiliser un dispositif d'évacuation latéral qu'avec un réfrigérateur équipé d'un ventilateur. Le rendement du réfrigérateur n'est pas satisfaisant lorsqu'on utilise un dispositif d'évacuation latéral avec un appareil non équipé de ventilateur.

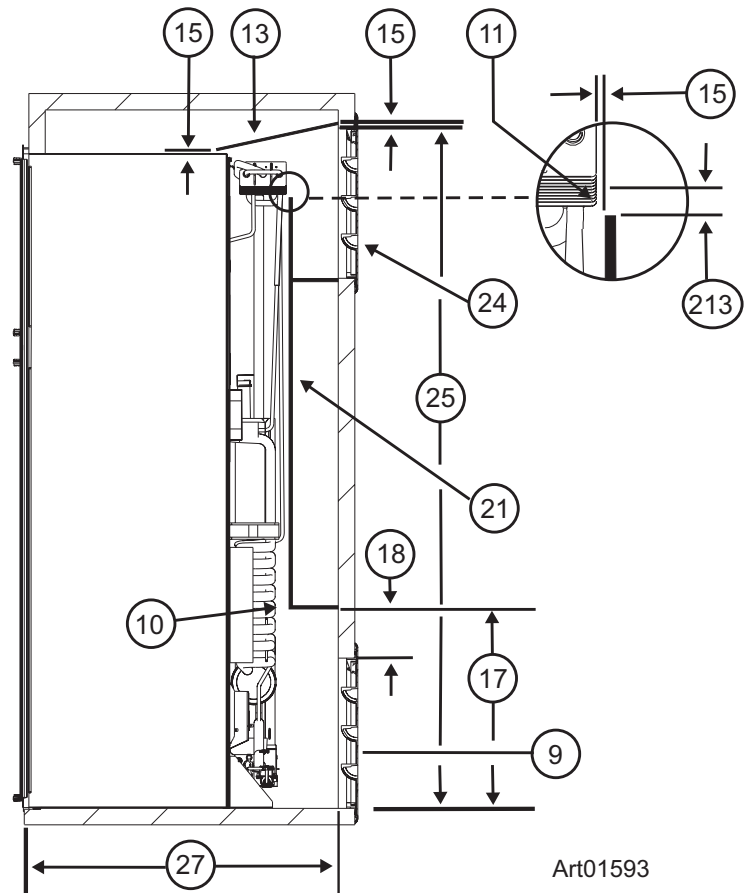
- S'assurer que le réfrigérateur est équipé d'un ventilateur.
- Installer le dispositif d'évacuation latéral en hauteur [24] (se reporter à Art01592 et Art01593).
 - Pour les modèles N62X, N62XXX, N64X, N64XXX, N64XIM, et N64XIMXX, s'assurer que la distance [25] entre la partie inférieure du logement et le haut de l'ouverture pour le dispositif d'évacuation supérieur soit de 55 pouces minimum.
 - Pour les modèles N82X, N82XXX, N84X, N84XXX, N84XIM, et N84XIMXX, s'assurer que la distance [25] entre la partie inférieure du logement et le haut de l'ouverture pour le dispositif d'évacuation supérieur soit de 62 pouces minimum.
- Aligner le dispositif d'évacuation supérieur [24] dans le plan horizontal au-dessus de la prise d'air inférieure [9] du réfrigérateur.
- Installer un déflecteur en aluminium ou en tôle d'acier galvanisé [13] entre le haut du réfrigérateur et la partie supérieure du dispositif d'évacuation supérieur pour éviter la formation d'air chaud stagnant dans la partie au-dessus du réfrigérateur.
 - S'assurer que l'espace entre le déflecteur et le dessus du réfrigérateur est inférieur à ¼ pouce et que le recouvrement du déflecteur au-dessus du réfrigérateur est égal ou inférieur à 1 pouce.



Art01601



Art01592



Art01593

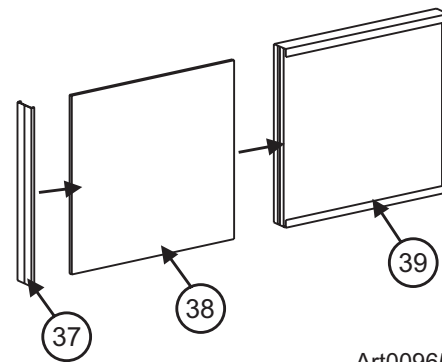
- S'assurer que le déflecteur repose contre la paroi du véhicule à la partie haute du dispositif d'évacuation supérieur et soit situé à une distance égale ou inférieure à ¼ pouce de l'ouverture pour le dispositif d'évacuation supérieur [15].
- S'assurer que le déflecteur fait toute la largeur intérieure du logement.
- Dans le cas d'installation d'un dispositif d'évacuation latéral haut :
 - Si la profondeur du logement est égale ou supérieure à 24 pouces, sans toutefois dépasser 26 pouces [27], installer un déflecteur courbe en aluminium ou en tôle d'acier galvanisé [26] à l'arrière du logement (se reporter à Art01592).
 - S'assurer que la courbe du déflecteur fait toute la largeur intérieure du logement.
 - S'assurer que la courbe du déflecteur est au même niveau que le bord inférieur de l'entourage de la porte de la prise d'air supérieure.
 - S'assurer que le bord supérieur du déflecteur se trouve 1/4 po [213] au-dessous du bas du condenseur et qu'il y a un dégagement de 1/4 po au plus [15] entre l'arrière du condenseur et le déflecteur.
 - Si la profondeur du logement est supérieure à 26 pouces [27] installer un déflecteur à cadre plein en bois, en aluminium ou en tôle d'acier galvanisé [21] entre la prise d'air inférieure et le dispositif d'évacuation supérieur (se reporter à Art01593).
 - S'assurer que le déflecteur à cadre plein fait toute la largeur intérieure du logement.
 - S'assurer que le bas du déflecteur à cadre plein se trouve à une distance comprise entre 18 et 18,5 pouces au-dessus du plancher du logement [17] (soit 4 ¼ à 4 ¾ pouces au-dessus de la partie supérieure de l'ouverture de la prise d'air inférieure (REF) [18]).
 - S'assurer que l'arrière du déflecteur à cadre plein est perpendiculaire à la partie inférieure du logement.
 - S'assurer que le bord supérieur horizontal du déflecteur à cadre plein est au même niveau que le bord inférieur du dispositif d'évacuation supérieur [24].
 - S'assurer que le bord supérieur vertical du déflecteur se trouve entre 1/4 pouce [213] au-dessous du condenseur et 1/2 pouce au-dessus du bas du condenseur.
 - S'assurer qu'il existe un espace [15] inférieur ou égal à ¼ pouce entre l'arrière du condenseur et le déflecteur.

Installation des panneaux décoratifs de porte



Les portes sont étudiées pour recevoir un panneau décoratif. L'épaisseur des panneaux décoratifs de porte doit être au maximum de 3/16 pouce. Installer les panneaux décoratifs sur les portes du réfrigérateur avant de placer le réfrigérateur dans son logement.

- Préparer un panneau décoratif de porte supérieur de 21 19/32 pouces de large par 14 17/32 pouces de haut .
- Préparer un panneau décoratif de porte inférieur
 - de 21 19/32 pouces de large ET
 - de 31 5/8 pouces de haut (pour les modèles N62X, N62XXX, N64X, N64XXX, N64XIM, et N64XIMXX) ou
 - de 38 5/8 pouces de haut (pour les modèles N82X, N82XXX, N84X, N84XXX, N84XIM, et N84XIMXX).
- Sortir la pièce de retenue du panneau [37] de chaque porte (se reporter à Art00965).
- Mettre le panneau décoratif de porte [38] en place dans les encoches de la porte [39].
- Mettre les pièces de retenue de panneau décoratif dans les fentes au bord de la porte.



Art00965

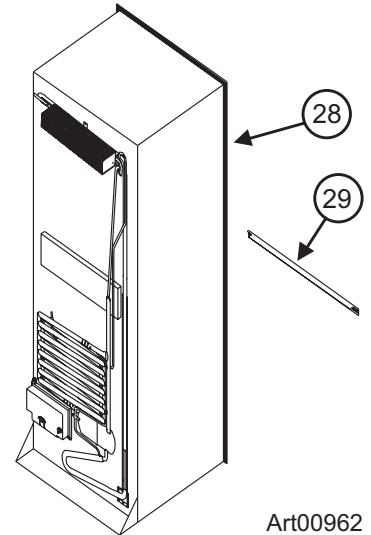
Installation du réfrigérateur

Mettre le réfrigérateur en position (se reporter à Art00962, Art00963, et Art00964) :

AVERTISSEMENT

S'assurer que le joint de combustion [28] est en parfait état, est correctement en place autour des rebords de montage du réfrigérateur et se trouve entre les rebords de montage et la paroi du logement. Un joint de combustion trop court peut laisser les fumées toxiques s'infiltrer dans le lieu de séjour du véhicule. L'inhalation de fumées toxiques peut entraîner des étourdissements, des nausées, ou dans les cas extrêmes, la mort.

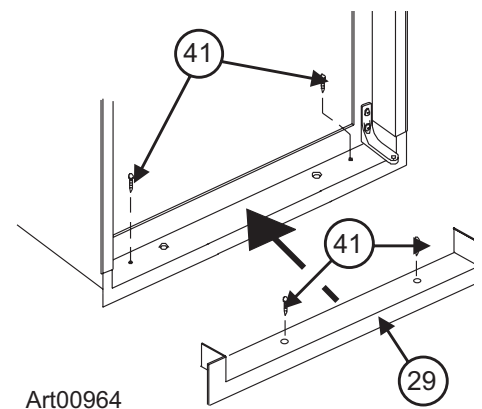
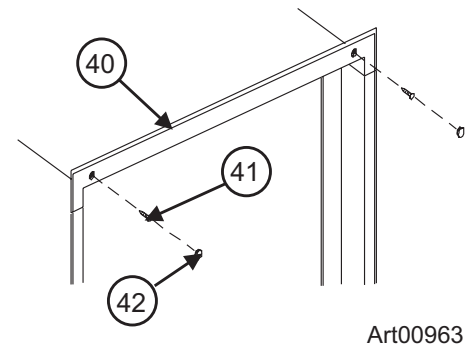
- Enfoncer complètement le réfrigérateur dans son logement.
- Installer la bordure supérieure [40] à l'avant du réfrigérateur.
- Installer les vis [41] par les trous des rebords de montage supérieur et inférieur à l'avant du réfrigérateur dans les parois et dans le plancher du logement.
- Mettre un bouchon [41] dans chacun des trous de vis de la bordure supérieure [40] à l'avant du réfrigérateur.



AVERTISSEMENT

Ne pas oublier la bordure inférieure. Cette pièce fait partie du joint de combustion.

- Mettre la bordure inférieure [129] en place à l'avant du réfrigérateur.
- Installer deux vis [41] par la bordure, le rebord de montage, dans le plancher.
- Installer les vis par le rebord de montage à l'arrière du réfrigérateur, dans le plancher.



Inversion du pivotement de la porte-Portes non métalliques (facultatif)

Ce réfrigérateur est équipé de charnières de caisse qui peuvent être placées en diagonale dans l'angle opposé pour changer le sens d'ouverture de la porte.

1. Retirer les portes (voir Art01726) :

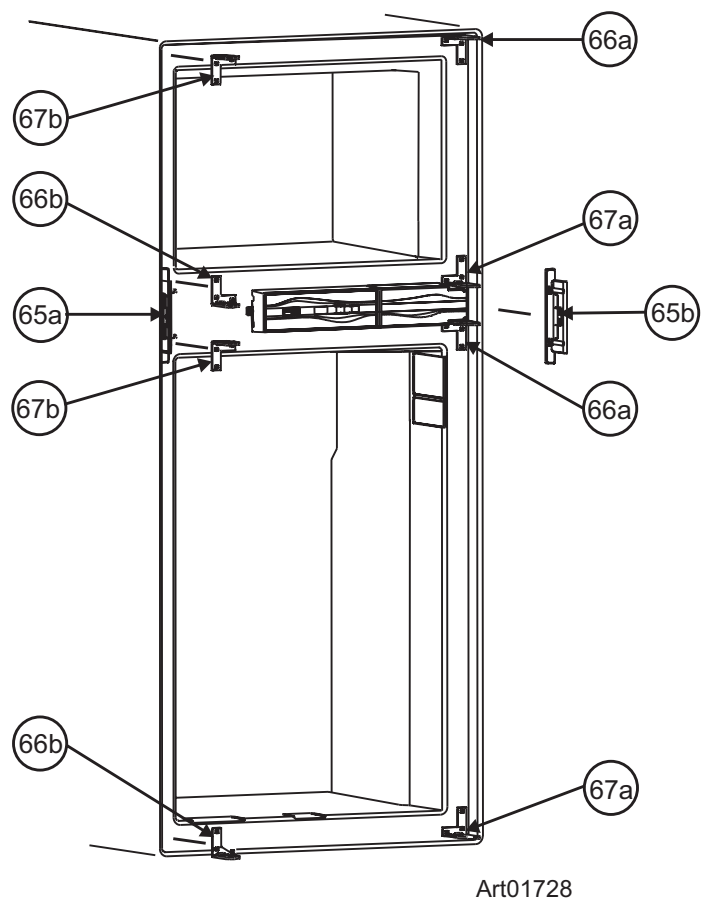
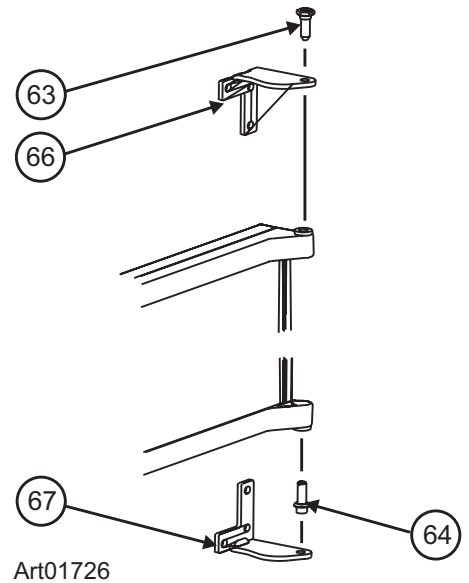
- Retirer les bacs de rangement des portes.

AVIS *Ne pas intervertir les axes des charnières supérieures et inférieures, ils ne sont pas interchangeables.*

- Retirer et conserver l'axe de charnière supérieure [63] de chaque porte.
- Tirer sur le loquet des portes et retirer chacune d'elles du réfrigérateur.
- Retirer et conserver l'axe de charnière inférieure [64] de chaque charnière.

2. Changer la position des charnières de la caisse et de la gâche (voir Art01728) :

- Retirer et conserver les vis de la gâche [65a].
- Enlever les deux bouchons en plastique des trous qui se trouvent près de la gâche.
- Retirer les protecteurs en plastique en forme de L situés à l'opposé des charnières.
- Retirer et conserver les vis de la charnière supérieure de caisse [66a] de chaque porte.
- Placer chacune de ces charnières de l'autre côté du réfrigérateur comme charnière inférieure [66b].
- Fixer chacune de ces charnières à l'aide de vis.
- Retirer et conserver les vis de la charnière inférieure de caisse [67a] de chaque porte.
- Placer chacune de ces charnières de l'autre côté du réfrigérateur comme charnière supérieure [67b].
- Fixer chacune de ces charnières à l'aide de vis.
- Placer les protecteurs en plastique en forme de L par-dessus les trous qu'occupaient les charnières.
- Retirer et conserver la vis [41] de la boîte avant [68] (voir Art01573).
- Sortir la boîte avant du réfrigérateur en passant sous les commandes [69].
- Inverser la boîte avant et la placer de l'autre côté des commandes.
- Fixer la boîte avant au réfrigérateur à l'aide de la vis.
- Placer la gâche du côté opposé du réfrigérateur [65b].
- Poser les deux bouchons en plastique ronds dans les trous qui se trouvent près de la gâche.



3. Changer la position des poignées de porte (voir Art01727) :

- Retirer les vis [41] et la poignée [70] de chaque porte.
- Inverser chaque poignée de porte et placer la poignée de porte inférieure sur la porte supérieure et celle de la porte supérieure sur la porte inférieure.
- Fixer chaque poignée à l'aide des vis.

4. Réinstaller les portes (voir Art01726) :

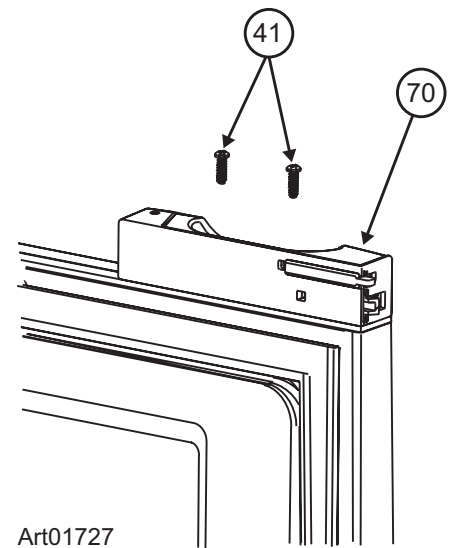
- Visser les axes de charnière inférieure dans les charnières inférieures de la caisse.



Afin d'éviter tout endommagement du filetage des axes de charnière, les serrer à fond à la main avant de les serrer davantage à l'aide d'un tournevis.



Appliquer de l'adhésif frein-filet enlevable Loctite (bleu) sur le filetage des vis de charnière avant le montage afin d'empêcher tout desserrement en cours d'utilisation. Faire en sorte que le Loctite n'entre en contact avec aucune des surfaces en plastique du réfrigérateur car cela pourrait endommager ces surfaces.



Art01727

- Poser chaque porte sur l'axe de charnière inférieure.
- Aligner les trous des charnières supérieures et maintenir dans cette position.
- Visser l'axe de charnière supérieure dans les charnières de chaque porte.
- Serrer les axes de charnière.
- Placer les bacs de rangement dans les portes.

Inversion du pivotement de la porte-Portes métalliques (facultatif)

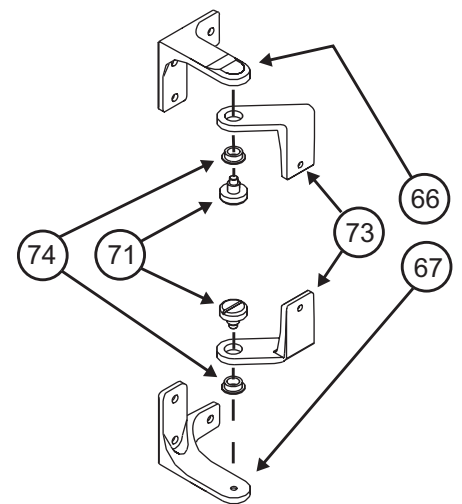
Ce réfrigérateur est équipé de charnières de porte qui peuvent être placées en diagonale dans l'angle opposé pour changer le sens d'ouverture de la porte.

1. Retirer les portes (voir Art00986) :

- Retirer les bacs de rangement des portes.
- Retirer et conserver les deux axes de charnière [71] de chaque porte.
- Tirer sur le loquet des portes et retirer chacune d'elles du réfrigérateur.

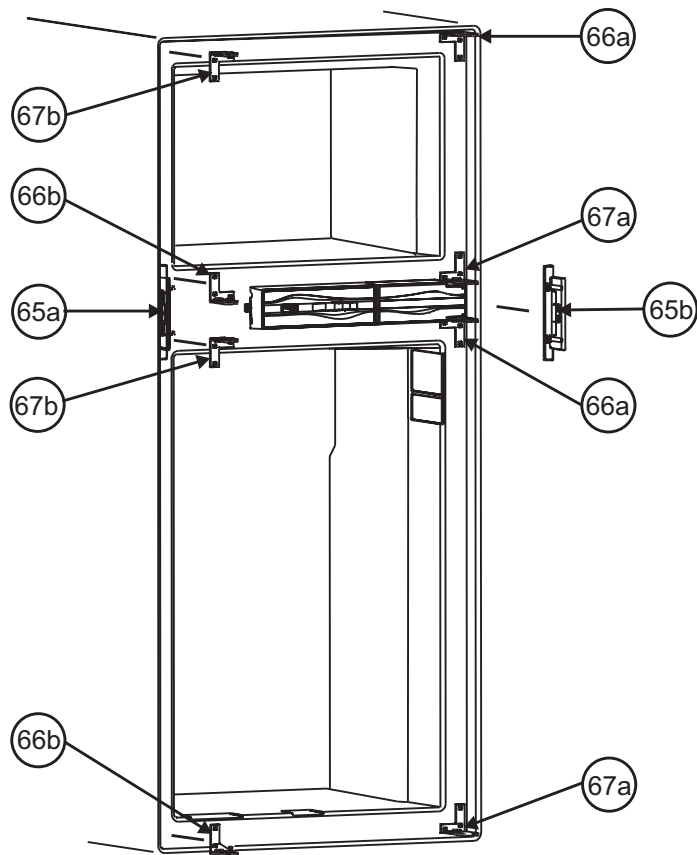
2. Changer la position des charnières de la caisse et de la gâche (voir Art01728) :

- Retirer et conserver les vis de la gâche [65a].
- Enlever les deux bouchons en plastique des trous qui se trouvent près de la gâche.
- Retirer les protecteurs en plastique en forme de L situés à l'opposé des charnières.
- Retirer et conserver les vis de la charnière supérieure de caisse [67a] de chaque porte.
- Placer chacune de ces charnières de l'autre côté du réfrigérateur comme charnière inférieure [67b].



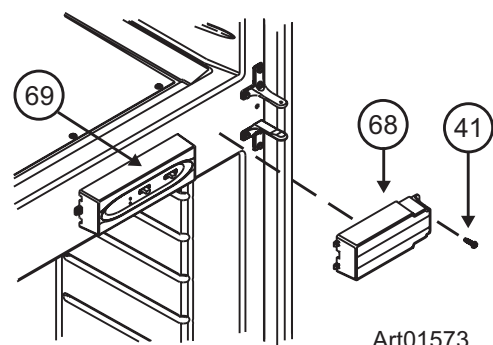
Art00986

- Fixer chacune de ces charnières à l'aide de vis.
 - Retirer et conserver les vis de la charnière inférieure de caisse [66a] de chaque porte.
 - Placer chacune de ces charnières de l'autre côté du réfrigérateur comme charnière supérieure [66b].
 - Fixer chacune de ces charnières à l'aide de vis.
 - Placer les protecteurs en plastique en forme de L par-dessus les trous qu'occupaient les charnières.
 - Retirer et conserver la vis [41] de la boîte avant [68] (voir Art01573).
 - Sortir la boîte avant du réfrigérateur en passant sous les commandes [69].
 - Inverser la boîte avant et la placer de l'autre côté des commandes.
 - Fixer la boîte avant au réfrigérateur à l'aide de la vis.
 - Placer la gâche du côté opposé du réfrigérateur [65b].
 - Poser les deux bouchons en plastique ronds dans les trous qui se trouvent près de la gâche.
3. Changer la position des poignées et des charnières de la porte (voir Art01695, Art00985 et Art00986) :

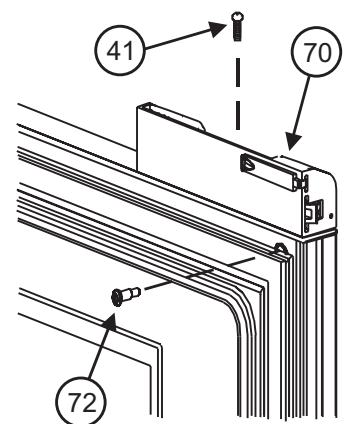


Art01728

- Retirer le bouchon en plastique qui se trouve à l'opposé de la charnière supérieure de la porte supérieure.
- Retirer les boulons [72] de la poignée [70] et de la charnière [73] de la porte.
- Retirer les vis [41] et la poignée de chaque porte.
- Retirer la charnière supérieure de chaque porte.
- Placer chacune de ces charnières de l'autre côté de la porte comme charnière inférieure.
- Fixer chaque charnière à l'aide des boulons retirés de l'autre côté.
 - Le couple de serrage recommandé pour chaque boulon [72] est de 35 lb-po.
- Retirer la charnière inférieure de chaque porte.
- Placer chacune de ces charnières de l'autre côté de la porte comme charnière supérieure.
- Fixer chaque charnière à l'aide des boulons retirés de l'autre côté.

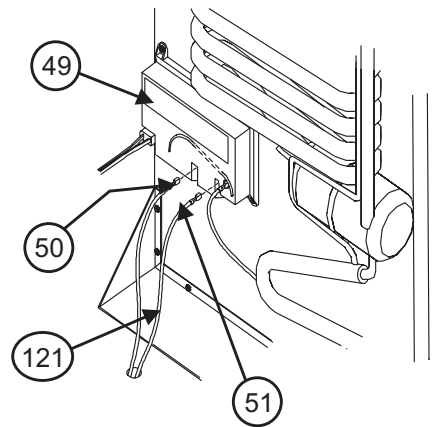


Art01573



Art01695

- Inverser chaque poignée de porte et placer la poignée de porte inférieure sur la porte supérieure et celle de la porte supérieure sur la porte inférieure.
 - Fixer chaque poignée de porte à l'aide d'un boulon [72] et de vis [41].
 - Placer le bouchon en plastique dans le trou qui se trouve à l'opposé de la charnière supérieure de la porte supérieure.
4. Réinstaller les portes (voir Art00986) :



Art00966

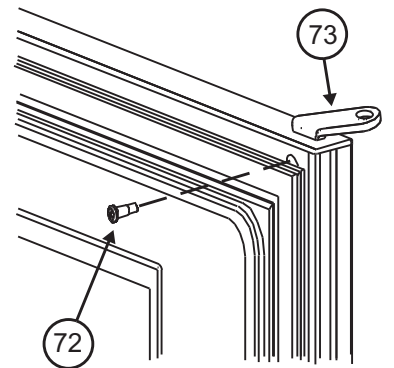


Afin d'éviter tout endommagement du filetage des axes de charnière, les serrer à fond à la main avant de les serrer davantage à l'aide d'un tournevis.



Appliquer de l'adhésif frein-filet enlevable Loctite (bleu) sur le filetage des vis de charnière avant le montage afin d'empêcher tout desserrement en cours d'utilisation. Faire en sorte que le Loctite n'entre en contact avec aucune des surfaces en plastique du réfrigérateur car cela pourrait endommager ces surfaces.

- Aligner les charnières et placer leurs axes dans chaque porte.
- Serrer les axes de charnière.
- Placer les bacs de rangement dans les portes.



Art00985

Raccordement de la machine à glaçons (Modèles N64XIM, N641XIMXX, N84XIM, et N84XIMXX)

La machine à glaçons est installée à l'usine comme équipement en option. Il n'est pas possible d'installer une machine à glaçons sur le réfrigérateur une fois l'appareil sorti d'usine.

L'installateur du réfrigérateur doit brancher une canalisation d'alimentation en eau froide à l'électrovalve située à l'arrière de l'appareil. Les pièces suivantes sont nécessaires pour le raccordement de la machine à glaçons :

- Tube de cuivre de ¼ po de diamètre extérieur pour la canalisation d'alimentation en eau.

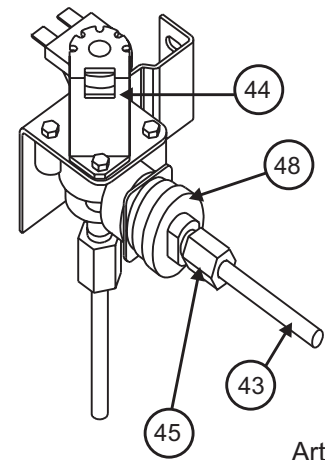
OU

- Tube de plastique de ¼ po de diamètre extérieur pour la canalisation d'alimentation en eau.
- Robinet d'arrêt de ¼ po pour la canalisation d'alimentation en eau. Ce robinet doit être facilement accessible par la prise d'air inférieure.

Branchement de la canalisation d'alimentation en eau :

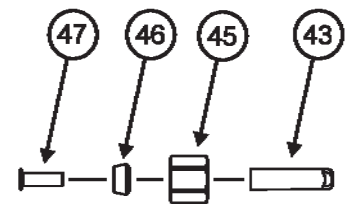
Installer une canalisation d'alimentation en eau de ¼ po de diamètre extérieur [43] entre le robinet d'arrêt du circuit d'eau du véhicule et l'électrovalve d'eau [44] située à l'arrière du réfrigérateur (se reporter à Art01014) :

AVIS Un écrou à compression en laiton [45], un manchon en laiton, un manchon en plastique [46] et une pièce rapportée en laiton [47] sont fournis et sont fixés à l'arrière du réfrigérateur (se reporter à Art01755).



Art01014

- Placer l'écrou à compression puis le manchon sur la canalisation d'alimentation en eau [43].
 - Utiliser le manchon en laiton sur le tube en cuivre.
 - Utiliser le manchon en plastique [46] sur le tube en plastique.
 - Utiliser également la pièce rapportée en laiton [47] sur un tube en plastique de paroi d'épaisseur 0,040 po.
 - Rincer la canalisation d'alimentation en eau jusqu'à ce que l'eau coule claire.
- Placer le tube dans l'adaptateur jusqu'à ce qu'il entre en contact avec la butée de l'adaptateur.
- Serrer l'écrou à compression à la main (fortement).
- Serrer l'écrou à compression de 1 ½ à 2 tours en utilisant deux clés.
- Ouvrir le robinet d'arrêt du circuit d'eau du véhicule.
- Inspecter les raccords et rechercher les fuites.



Art01755

Connexions électriques

Fonctionnement sur C.A.	Tension 120 V c.a. Tension de commande 12 V c.c.	(132V maxi - 108V mini) (15,4 V maxi - 10,5 V mini)
Fonctionnement sur C.C.	Tension de commande 12 V c.c.	(15,4 V maxi - 10,5 V mini)

Le réfrigérateur utilise ces sources d'alimentation. L'utilisation de sources hors des limites indiquées peut endommager les circuits électriques du réfrigérateur et rendra la garantie nulle et non avenue.



Brancher le(s) cordon(s) d'alimentation c.a. uniquement dans une prise à trois lames avec masse. Ne pas retirer le contact de terre rond des cordons d'alimentation c.a. Ne pas utiliser un adaptateur à deux lames ou une rallonge avec les cordons d'alimentation c.a. L'utilisation du réfrigérateur sans masse appropriée peut causer des chocs électriques dangereux ou la mort en cas de contact avec les parties métalliques du réfrigérateur.

Raccordement de l'alimentation en courant alternatif 120V :



Brancher le cordon d'alimentation C.A. dans une prise triphasée avec mise à la terre uniquement. Ne pas enlever la broche ronde de mise à la terre de l'un ou de l'autre des cordons d'alimentation. Ne pas utiliser d'adaptateur à deux broches ni de rallonge électrique avec l'un ou l'autre des cordons d'alimentation en courant alternatif. L'utilisation d'un réfrigérateur incorrectement mis à la terre peut causer un choc électrique, voire la mort lorsqu'on touche les parties métalliques de l'appareil.

Brancher le(s) cordon(s) d'alimentation C.A. dans une prise triphasée avec mise à la terre :

- S'assurer que la prise est d'un accès facile à partir de la prise d'air inférieure.
- S'assurer que le(s) cordon(s) d'alimentation n'entre(nt) pas en contact avec le couvercle du brûleur, le conduit de sortie des fumées, ou tout autre élément chaud qui pourrait endommager la gaine isolante du cordon.

Raccordement de l'alimentation en courant continu 12V :

Le calibre du fil et du fusible à utiliser augmentent avec la distance entre la batterie du véhicule et le réfrigérateur. Une chute de tension se produira si la section du fil est trop faible pour la distance. La chute de tension diminue le rendement du système de chauffage et affecte donc la capacité de refroidissement du réfrigérateur.

1. Déterminer la section minimale du fil et le calibre maximal du fusible à utiliser :



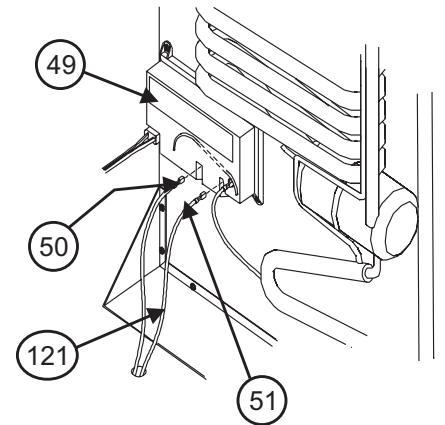
L'utilisation d'un fil et/ou d'un fusible de calibre incorrect peut déclencher un feu électrique.

- Pour les réfrigérateurs à double alimentation, utiliser un fil de calibre 18 AWG minimum et un fusible de 6A maximum.
 - Pour les réfrigérateurs à triple alimentation, mesurer la distance entre la batterie du véhicule et le réfrigérateur.
 - Si la distance est comprise entre 0 et 20 pieds, utiliser un fil de calibre 10 AWG minimum et un fusible de 30 A maximum.
 - Si la distance est supérieure à 20 pieds, utiliser un fil de calibre 8 AWG minimum et un fusible de 40 A maximum.
 - Si le calibre du fil est supérieur au minimum, choisir le fusible approprié suivant la norme RVIA A 119-2 ou les codes locaux applicables.
2. Installer un fusible sur les fils d'alimentation en courant continu entre la batterie et le réfrigérateur :
- Placer le fusible le plus près possible de la batterie.
3. Connecter les fils d'alimentation en courant continu (se reporter à Art00966) :



Ne pas utiliser l'armature du réfrigérateur ni le cadre du véhicule comme conducteur. Connecter les fils d'alimentation en courant continu uniquement à la batterie et au panneau de distribution de puissance [49] du réfrigérateur.

- Connecter le fil d'alimentation positif [50] à la borne du panneau identifiée 12 VDC.
- Connecter le fil de mise à la terre [51] à la borne du panneau identifiée GND.
- S'assurer que chaque fil d'alimentation en courant continu est raccordé à la borne avec la polarité correcte.

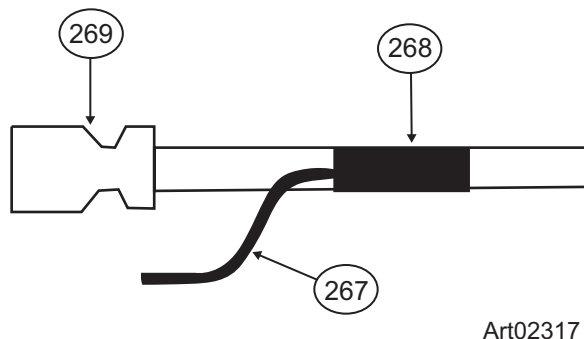
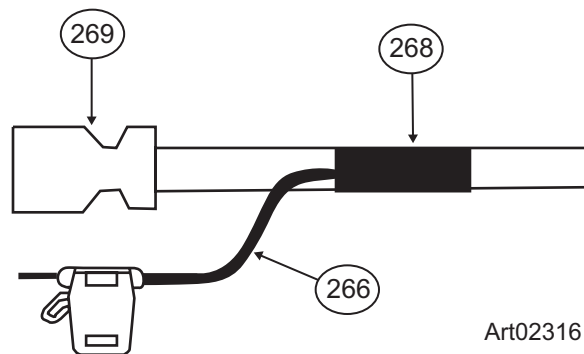


Art00966

Raccordement de chauffage à basse température ambiante (option)

Raccorder les fils du chauffage à basse température ambiante à l'alimentation 12 V c.c. Le fil noir (+) du chauffage à basse température ambiante est de calibre 16 AWG et le fil marron (-) est de calibre 18 AWG.

1. Couper le fil d'entrée 12V + le fil derrière la connexion rapide [269]; dénuder les deux extrémités (See Art02316).
2. Solder le fil de l'étape précédente sur un fil 16AWG [266].
3. Envelopper les fils soudés avec du ruban électrique noir [268]; S'ASSURER qu'aucun brin n'est exposé.
4. Couper le fil de terre 12V derrière la connexion rapide [269]; dénuder les deux extrémités (See Art02317).
5. Solder le fil de l'étape précédente sur un fil 18AWG [267].
6. Envelopper les fils soudés avec du ruban électrique noir [268]; S'ASSURER qu'aucun brin n'est exposé.
7. Raccorder l'alimentation 12V aux fils d'entrée.



AVIS Ce kit alimente le chauffage en tension c.c. chaque fois que la température ambiante est suffisamment basse. Un entreposage prolongé par temps froid décharge les batteries du véhicule. Pour éviter la décharge des batteries, débrancher le fusible 3 A du chauffage à basse température ambiante.

Raccordement des éléments du système fonctionnant au gaz propane.

Ce réfrigérateur fonctionne au gaz propane à une pression de 11 pouces de colonne d'eau.

Les commandes utilisent du 12 V c.c. (10,5 V mini - 15,4 V maxi). L'utilisation d'une source hors des limites indiquées peut endommager les circuits électriques du réfrigérateur et rendra la garantie nulle et non avenue.

Raccordement de l'alimentation en gaz propane :

AVERTISSEMENT Faire très attention lors des interventions sur le système au gaz propane.

- Ne pas fumer ni utiliser de flamme nue près du système au gaz propane.
- Ne pas utiliser de flamme nue pour rechercher les fuites.
- Ne pas raccorder le réfrigérateur à un réservoir de gaz sans détendeur entre les deux.

- Pour éviter une fuite de gaz, toujours utiliser deux clés pour serrer ou desserrer les raccords des conduites de gaz.
- Le gaz propane peut s'enflammer ou exploser avec risques de blessures graves ou de mort.

Raccorder le tuyau d'alimentation de gaz au réfrigérateur :

- S'assurer que tous les raccords et les conduites sont conformes aux codes locaux, provinciaux et national en ce qui concerne le type et le diamètre.
- S'assurer que tous les raccords métalliques flexibles sont conformes à la dernière révision de la norme CAN 1-6.10.
- S'assurer que les matériaux utilisés pour le tuyau d'arrivée de gaz respectent à la fois les normes actuelles ANSI A 119.2 (NFPA 1192) et ACNOR Z240 pour les véhicules de loisir. Norcold recommande l'utilisation d'un tube en cuivre de 3/8 po comme tuyau d'arrivée de gaz et requiert un raccord mâle conique de 3/8 po SAE (UNF 5/8-18) comme connexion avec le réfrigérateur.
- Faire passer la conduite par le plancher du logement du réfrigérateur..
- S'assurer que le diamètre du trou dans le plancher est suffisant pour laisser du jeu autour de la conduite.
- Monter un joint d'étanchéité résistant aux intempéries (anneau, produit d'étanchéité, etc.) autour de la conduite au passage dans le trou pour éviter l'usure par frottement et les vibrations.
- Pour éviter l'usure par frottement et les vibrations, s'assurer que la conduite de gaz ne touche aucune partie ni aucun objet dans le logement du réfrigérateur.
- Fixer la conduite au raccord sur la paroi du réfrigérateur.

Recherche de fuites :



Éviter le contact entre la solution utilisée pour la recherche de fuites et les composants électriques. Beaucoup de liquides sont conducteurs et peuvent causer un choc électrique, des courts-circuits, et éventuellement provoquer un incendie.

Utiliser une solution de détection de fuite pour rechercher les fuites au niveau de la conduite de gaz et de tous les raccords.

Recherche de fuites à l'air comprimé :

- La pression au niveau du robinet d'arrêt manuel du réfrigérateur ne doit pas être supérieure à ½ PSIG (14 pouces de colonne d'eau).
- Si la pression d'air est supérieure à ½ PSIG (14 pouces de colonne d'eau), débrancher la conduite du raccord sur la paroi du réfrigérateur avant d'effectuer la recherche de fuite.
- Si la pression d'air est inférieure ou égale à ½ PSIG (14 pouces de colonne d'eau), fermer le robinet d'arrêt manuel du réfrigérateur avant d'effectuer la recherche de fuite.

Allumage et mise en route

Avant l'allumage ou la mise en route du réfrigérateur :

- S'assurer que le débit d'air dans la prise d'air inférieure, par le serpentin et le condenseur et par le dispositif d'évacuation supérieur ne rencontre pas d'obstacles et reste constant.
- S'assurer qu'il ne se trouve aucun matériau combustible dans le réfrigérateur ni autour de l'appareil.

**Allumage et mise en route : (modèles N64X, N64XXX, N64XIM, N64XIMXX, N84X, N84XXX, N84XIM, et N84XIMXX)
(se reporter à Art 01018)**

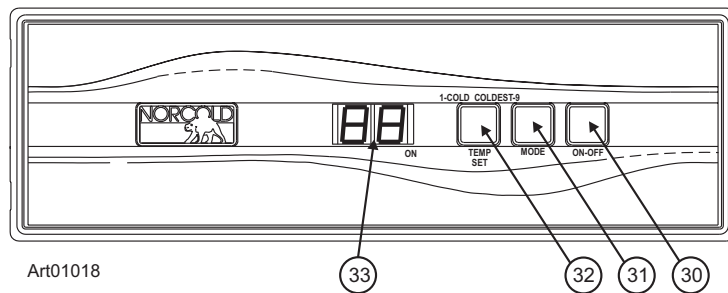


Si le gaz ne s'enflamme pas dans les 30 secondes, la soupape de sûreté du réfrigérateur se ferme automatiquement, les commandes choisissent une différente source d'énergie ou le code "no" "FL" apparaît sur l'afficheur central. Ce code signifie que le gaz ne s'est pas enflammé.

Si l'allumage ne se produit pas après plusieurs tentatives, se reporter à la section "Codes de défaillance" de ce manuel.

Allumage en mode automatique :

- Enfoncer le bouton ON/OFF [30] pour mettre le réfrigérateur en route.
- Enfoncer et maintenir enfoncé le bouton MODE [31] jusqu'à ce que les lettres « AU » apparaissent sur l'afficheur central [33], puis relâcher le bouton.
- Si du 120 V c.a. est disponible pour le réfrigérateur :
 - Les lettres « AU », puis « AC » apparaissent sur l'afficheur central.
 - Les codes « AU », puis « AC » s'éteindront après dix secondes et seul le voyant vert ON de mise sous tension restera allumé.
 - Cela veut dire que le réfrigérateur fonctionne sur courant alternatif.
- Si du 120 V c.a. n'est pas disponible pour le réfrigérateur :
 - Les lettres « AU », puis « AC » apparaissent sur l'afficheur central.
 - Les lettres « AU », puis « LP » apparaissent cinq secondes plus tard.
 - Les codes « AU », puis « LP », s'éteindront après dix secondes et seul le voyant vert ON de mise sous tension restera allumé.
 - Cela veut dire que le réfrigérateur fonctionne au gaz propane.
- Si ni du 120 V c.a. ni du gaz propane ne sont disponibles pour le réfrigérateur :
 - Les codes de défaillance « no » « AC », puis « no » « FL » apparaissent sur l'afficheur central et une alarme sonore se fait entendre.



Si une source d'énergie est disponible pour le réfrigérateur, mais est déficiente :

- Un code de défaillance apparaît sur l'afficheur central.
- Les commandes du réfrigérateur essaient de passer à une source d'énergie moins efficace.
- Si une source d'énergie moins efficace n'est pas disponible :
 - Une alarme sonore se fait entendre.
 - Un code de défaillance apparaît sur l'afficheur central.
 - Se reporter à la section « Codes de défaillance » de ce manuel.

Allumage en mode manuel :

- Enfoncer le bouton ON/OFF pour mettre le réfrigérateur en route.
- Enfoncer et maintenir enfoncé le bouton MODE jusqu'à ce que les lettres « AC » apparaissent sur l'afficheur central, puis relâcher le bouton.
 - Les lettres « AC » s'éteindront après dix secondes et seul le voyant vert ON de mise sous tension restera allumé.
- Enfoncer et maintenir enfoncé le bouton MODE jusqu'à ce que les lettres « LP » apparaissent sur l'afficheur central, puis relâcher le bouton.
 - Les lettres « LP » s'éteindront après dix secondes et seul le voyant vert ON de mise sous tension restera allumé.

Allumage et mise en route : modèles N62X, N62XXX, N82X, et N82XXX) (se reporter à Art01019)

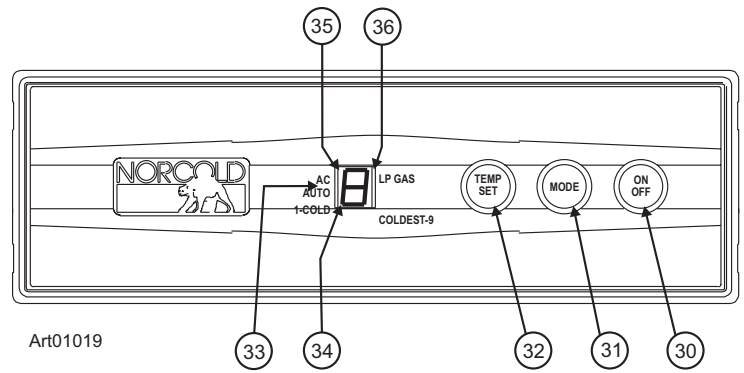
AVIS

Si le gaz ne s'enflamme pas dans les 30 secondes, la soupape de sûreté du réfrigérateur se ferme automatiquement, les commandes choisissent une différente source d'énergie ou le code "F" apparaît sur l'afficheur central. Ce code signifie que le gaz ne s'est pas enflammé.

Si l'allumage ne se produit pas après plusieurs tentatives, se reporter à la section "Codes de défaillance" de ce manuel.

Allumage en mode automatique :

1. Enfoncer le bouton d'allumage ON/OFF [30] pour mettre le réfrigérateur en route.
2. Enfoncer le bouton de réglage de température TEMP SET [32] pour régler le thermostat dans la plage de température "4-6".
 - Si la barre "AUTO" [33] et la barre "AC" [35] apparaissent sur l'afficheur central [34], cela signifie que :
 - L'alimentation 120 Vc.a. est disponible au réfrigérateur.
 - Le réfrigérateur fonctionne sur courant alternatif.
 - Si la barre "AUTO" et la barre "LP GAS" [36] apparaissent sur l'afficheur central, cela signifie que :
 - L'alimentation 120 Vc.a. n'est pas disponible au réfrigérateur.
 - Le réfrigérateur fonctionne au gaz propane.



Allumage en mode manuel :

1. Enfoncer le bouton d'allumage ON/OFF [30] pour mettre le réfrigérateur en route.
2. Enfoncer le bouton MODE [31] jusqu'à ce que la barre "AUTO" disparaisse et que la barre "LP GAS" seule reste.
3. Enfoncer le bouton de réglage de température TEMP SET [32] pour régler le thermostat dans la plage de température "4-6".
4. La barre "LP GAS" reste affichée jusqu'à la sélection d'un autre mode de fonctionnement ou l'arrêt du réfrigérateur.

Vérification de la soupape de sûreté du gaz :

1. Mettre le réfrigérateur en route en mode manuel.
2. Ouvrir la prise d'air inférieure.
3. Débrancher un fil du solénoïde de la soupape de sûreté du gaz à l'arrière du réfrigérateur.
4. La flamme doit s'éteindre dans les 30 secondes, ce qui confirme le bon fonctionnement de la soupape de sûreté.
5. Rebrancher le fil au solénoïde de la soupape de sûreté.
6. Fermer la prise d'air inférieure.

Arrêt - tous modèles :

Pour arrêter le réfrigérateur, enfoncer et maintenir enfoncé le bouton ON/OFF pendant deux secondes.

**Codes de défaillance
(modèles N62X, N62XXX, N82X, et N82XXX)**

Code de défaillance	Signification	Actions correctives
Rien n'apparaît sur l'afficheur	La tension C.C. n'est pas disponible au panneau de commande du réfrigérateur ou le réfrigérateur est arrêté.	Vérifier que: <ul style="list-style-type: none"> - le réfrigérateur est en route. - le système de charge de la batterie du véhicule est opérationnel. - le convertisseur C.A./C.C. est opérationnel (s'il existe). Entrer en rapport avec le concessionnaire ou la Centre d'entretien autorisé Norcold.
"d"	La porte est restée ouverte pendant plus de 2 minutes.	Fermer la porte.
"F"	Le brûleur n'est pas allumé ou rallumé.	Vérifier que: <ul style="list-style-type: none"> - le robinet du (des) réservoir(s) de propane est (sont) ouvert(s). - la pression du gaz propane est correcte. - le robinet d'arrêt manuel de réfrigérateur est ouvert. - la conduite d'alimentation en gaz est purgée. (Se reporter à "Purge de l'air dans les canalisations d'alimentation en gaz propane" de ce manuel. Entrer en rapport avec le concessionnaire ou la Centre d'entretien autorisé Norcold.
"A"	La tension C.A. n'est pas disponible au panneau de commande du réfrigérateur.	Vérifier que: <ul style="list-style-type: none"> - le réfrigérateur est branché dans une prise qui fonctionne. - le fusible ou le disjoncteur du véhicule est intact. - la génératrice du véhicule est opérationnelle (si elle existe). Entrer en rapport avec le concessionnaire ou la Centre d'entretien autorisé Norcold.
"C"	La tension C.C. au panneau de commande du réfrigérateur est trop faible.	Vérifier que: <ul style="list-style-type: none"> - le système de charge de la batterie du véhicule est opérationnel. - le convertisseur C.A./C.C. est opérationnel (si existe). Entrer en rapport avec le concessionnaire ou la Centre d'entretien autorisé Norcold.
La sélection de température clignote lorsqu'on enfonce le bouton TEMP SET	Le réfrigérateur fonctionne sur le système de secours.	Aucune action corrective par l'utilisateur/propriétaire. Entrer en rapport avec le concessionnaire ou la Centre d'entretien autorisé Norcold.
"H"	Défaillance du système de commande du réfrigérateur.	Aucune action corrective par l'utilisateur/propriétaire. Entrer en rapport avec le concessionnaire ou la Centre d'entretien autorisé Norcold.
"r"	Défaillance du système de commande du réfrigérateur.	Aucune action corrective par l'utilisateur/propriétaire. Entrer en rapport avec le concessionnaire ou la Centre d'entretien autorisé Norcold.
"S"	Défaillance du système de commande du réfrigérateur.	Aucune action corrective par l'utilisateur/propriétaire. Entrer en rapport avec le concessionnaire ou la Centre d'entretien autorisé Norcold.

Codes de défaillance

(modèles N64X, N64XXX, N64XIM, N64XIMXX, N84X, N84XXX, N84XIM, et N84XIMXX)

Code de défaillance	Signification	Actions correctives
Rien n'apparaît sur l'afficheur	La tension C.C. n'est pas disponible au panneau de commande du réfrigérateur ou le réfrigérateur est arrêté.	Vérifier que: <ul style="list-style-type: none"> - le réfrigérateur est en route. - le système de charge de la batterie du véhicule est opérationnel. - le convertisseur C.A./C.C. est opérationnel (s'il existe). Entrer en rapport avec le concessionnaire ou la Centre d'entretien autorisé Norcold.
"dr" L'alarme sonore se fait entendre	La porte est restée ouverte pendant plus de 2 minutes.	Fermer la porte.
"no" "FL" L'alarme sonore se fait entendre	Le brûleur n'est pas allumé ou rallumé.	Vérifier que: <ul style="list-style-type: none"> - le robinet du (des) réservoir(s) de propane est (sont) ouvert(s). - la pression du gaz propane est correcte. - le robinet d'arrêt manuel de réfrigérateur est ouvert. - la conduite d'alimentation en gaz est purgée. (Se reporter à "Purge de l'air dans les canalisations d'alimentation en gaz propane" de ce manuel. Entrer en rapport avec le concessionnaire ou la Centre d'entretien autorisé Norcold.
"no" "AC" L'alarme sonore se fait entendre	La tension C.A. n'est pas disponible au panneau de commande du réfrigérateur.	Vérifier que: <ul style="list-style-type: none"> - le réfrigérateur est branché dans une prise qui fonctionne. - le fusible ou le disjoncteur du véhicule est intact. - la génératrice du véhicule est opérationnelle (si elle existe). Entrer en rapport avec le concessionnaire ou la Centre d'entretien autorisé Norcold.
"dc" "LO"	La tension C.C. au panneau de commande du réfrigérateur est trop faible.	Vérifier que: <ul style="list-style-type: none"> - le système de charge de la batterie du véhicule est opérationnel. - le convertisseur C.A./C.C. est opérationnel (si existe). Entrer en rapport avec le concessionnaire ou la Centre d'entretien autorisé Norcold.
La sélection de température clignote lorsqu'on enfonce le bouton TEMP SET	Le réfrigérateur fonctionne sur le système de secours.	Aucune action corrective par l'utilisateur/propriétaire. Entrer en rapport avec le concessionnaire ou la Centre d'entretien autorisé Norcold.
"AC" "rE" L'alarme sonore se fait entendre	Défaillance du système de commande du réfrigérateur.	Aucune action corrective par l'utilisateur/propriétaire. Entrer en rapport avec le concessionnaire ou la Centre d'entretien autorisé Norcold.
"dc" "rE" L'alarme sonore se fait entendre	Défaillance du système de commande du réfrigérateur.	Aucune action corrective par l'utilisateur/propriétaire. Entrer en rapport avec le concessionnaire ou la Centre d'entretien autorisé Norcold.
"AC" "HE" L'alarme sonore se fait entendre	Défaillance du système de commande du réfrigérateur.	Aucune action corrective par l'utilisateur/propriétaire. Entrer en rapport avec le concessionnaire ou la Centre d'entretien autorisé Norcold.
"dc" "HE" L'alarme sonore se fait entendre	Défaillance du système de commande du réfrigérateur.	Aucune action corrective par l'utilisateur/propriétaire. Entrer en rapport avec le concessionnaire ou la Centre d'entretien autorisé Norcold.
"Sr" L'alarme sonore se fait entendre	Défaillance du système de commande du réfrigérateur.	Aucune action corrective par l'utilisateur/propriétaire. Entrer en rapport avec le concessionnaire ou la Centre d'entretien autorisé Norcold.

