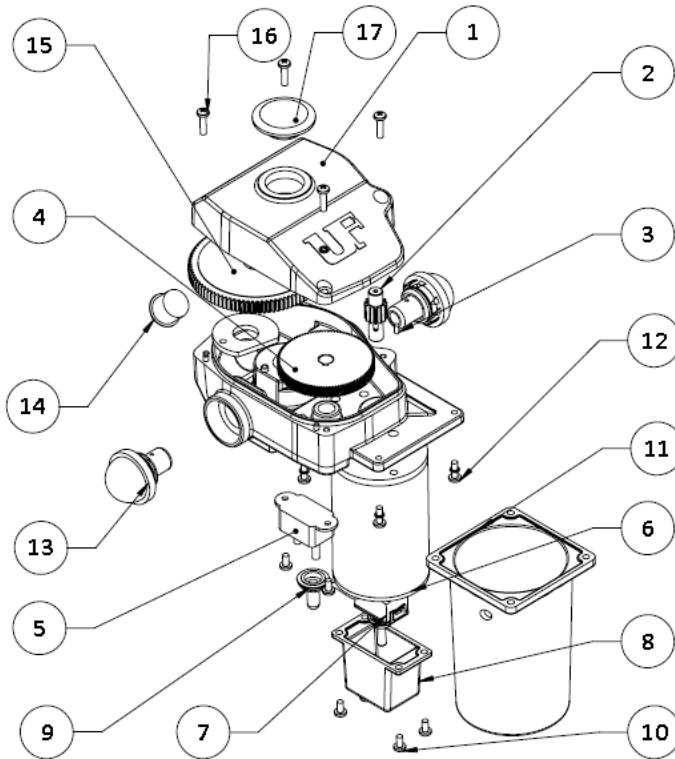




ULTRA 3502 ELECTRIC TONGUE JACK

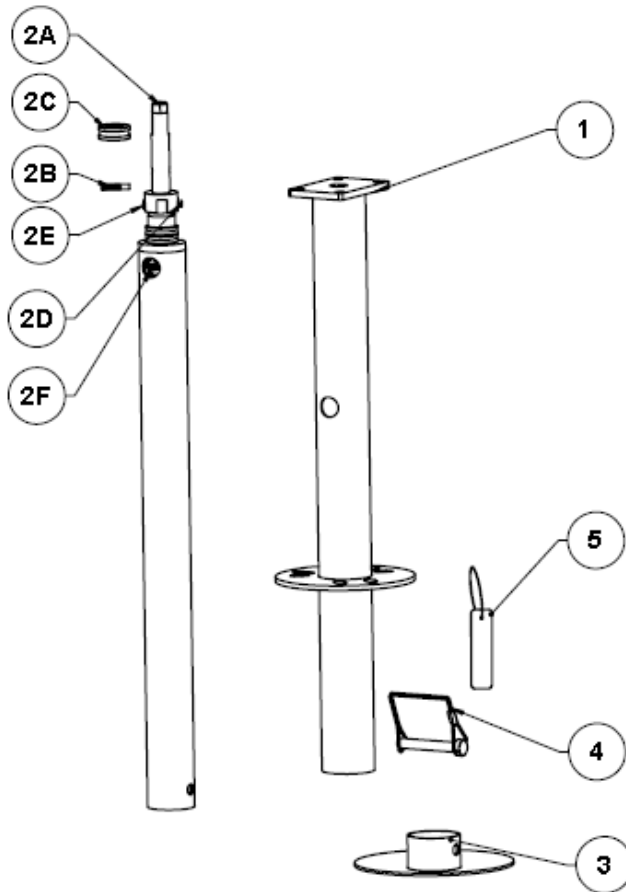
p/n 38-944017

MOTOR EXPLODED VIEW



No.	Part No.	Description	Q'ty
1	38-751030	Gear Housing Cover	1
2	38-751124	Pinion Gear 12T	1
3	38-751154	Pinion Key 3x6	1
4	38-751118	Spur Gear	1
5	38-101283	Circuit Breaker	1
6	38-751040	Motor	1
7	38-751037	Motor Switch	1
8	38-751047	Switch Housing	1
9	38-751039	Switch Boot	1
10	38-751060	M4x8 Screw	6
11	38-751048	Motor Housing	1
12	38-751010	M4x12 Screw	4
13	38-751042	Light	2
14	38-751057	Light Switch	1
15	38-751085	Main Gear	1
16	38-751070	M4x16 Screw	4
17	38-751114	Rubber Plug	1

NOT SHOWN	Part No.	Description	Q'ty
	38-751167	Socket 9/16"/Manual Override	1
	38-751034	250V 30A Slow-Blow Fuse	1
	38-751035	Fuse Holder	1



LOWER STEM ASSEMBLY

No.	Part No.	Description	Q'ty
1	38-752010	2" Outer Tube	1
2(A-F)	38-751160	1.75" Inner Tube Assembly	1
2A	38-751122	Collar Hex Head	1
2B	38-752018	Retaining Pin	1
2C	38-751121	Thrust Bearing	1
2D	38-751138	Cotter Pin	1
2E	38-751127	Upper Pin	1
2F	17-753230	Grease Zerk 6-1.0mm	1
3	38-751100	Footpad Standard 2" (3502)	1
4	38-141023	Wire Lock Pin	1
5	38-114452	Serrated Washer	3

38-751170 – Lower Stem Assembly (Includes #1 & #2)