



Chevy 2500HD  
& 3500 Pickup

10/14  
TP20283, Rev 1



**BOLT TORQUE SPECIFICATIONS**

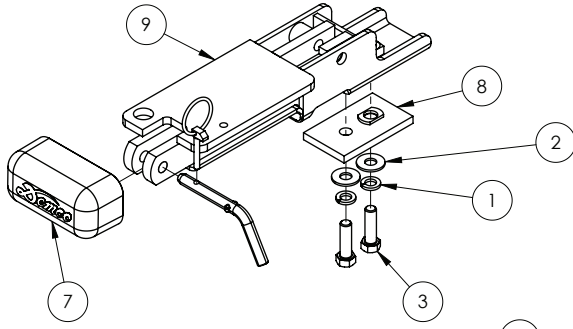
STANDARD BOLTS:			METRIC BOLTS:	
Size	Grade	Torque	Size	Torque
5/16"	5	20 ft/lbs.	8mm	22 ft/lbs.
3/8"	5	35 ft/lbs.	10mm	42 ft/lbs.
7/16"	5	56 ft/lbs.	12mm	70 ft/lbs.
1/2"	5	85 ft/lbs.	14mm	95 ft/lbs.

# BASEPLATE

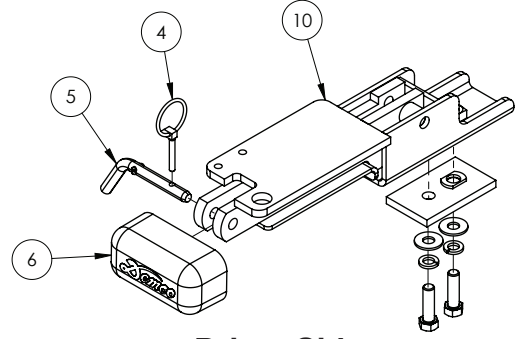
Pin Height - 20" Center - 32"



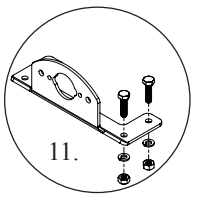
NOTE: Pull ear covers may need trimming.



Passenger Side



Driver Side



**9517283 PARTS LIST**

REF. NO.	PART NO.	QTY.	DESCRIPTION
1.	00084	4	.50 Lock Washer
2.	00085	4	.50 Flat Washer
3.	00482	4	Bolt .50 NC X 1.75 GR5 HEX
4.	02397	2	1/4" Quick Pin
5.	10423-91	2	Attaching Pin
6.	12979	1	Pull Ear Cover "A"
7.	12980	1	Pull Ear Cover "B"
8.	13855-35	2	Back-Up Plate
9.	13856-35	1	Right Pull Pod
10.	13857-35	1	Left Pull Pod
11.	5937	1	Plug Mount Kit
12.	12329	1	Loctite(not shown)



ASSEMBLY  
OPERATION  
REPLACEMENT PARTS

Please order replacement parts by **PART NO.** and **DESCRIPTION.**

**READ** complete manual **CAREFULLY**  
BEFORE attempting operation.

Doing Our Best to Provide You the Best

**WARNING: FAILURE TO FOLLOW THESE INSTRUCTIONS CAN RESULT IN LOSS OF TOWING VEHICLE CONTROL, SEPARATION OF THE TOW BAR FROM THE TOWING VEHICLE, SEPARATION OF THE TOWED VEHICLE FROM THE TOW BAR, CAUSING SEVERE PERSONAL INJURY, DEATH, OR PROPERTY DAMAGE.**

## **WARRANTY POLICY & REGISTRATION**

Go online to [www.demco-products.com](http://www.demco-products.com) to review Demco warranty policies and register your Demco product.

### **CAUTION**

Safety is of utmost importance at all times. There are several items that must be checked each time before using and while using a tow bar.

Before allowing anyone to hook up or operate a tow bar, be sure they have read and understand the proper operating procedure.

**DO NOT** use worn or damaged cables and/or pins.

Be sure the **SAFETY CABLES** are hooked, chassis to chassis, to both the towing and towed vehicles using the crisscross method.

Check clearance between vehicles in a turning situation.

Check base plate mounting bolts for tightness and frame for metal fatigue.

Do not load the towed vehicle with anything as you may exceed the towing capacity of the tow bar.

Keep fingers away from pivot points to prevent personal injury.


Be sure the steering components of the towed vehicle are properly aligned.

**NOTE:** This unit can be backed up in moderate increments. Any severe backwards cornering could result in damage to the Tow Bar and/or towed vehicle chassis.

**For automatic transmissions:** Consult your vehicle owners manual for towing suitability with the drive shaft connected. Otherwise, the towed vehicle will have to be equipped with a transmission pump or drive shaft disconnect.

Check to make sure that all lights are in proper working order.

**The information on towability of vehicles is reprinted with permission of MotorHome® Magazine, and is believed to be reliable. However, Demco does not warrant the information to be correct. Always consult your towed vehicle owner's manual and follow towing instructions. Each year, MotorHome® Magazine, compiles a list of vehicles that can be towed four-down behind a motorhome with no modifications required. This guide contains only those vehicles that have been approved by their manufacturers for towing. This list is enclosed with this manual.**

 **Caution: MotorHome® Magazine** left out any vehicles that have towing speed limits slower than 55 m.p.h., or distance limits of less than 200 miles. At a minimum, these vehicles require significant modification, such as the use of an aftermarket product, to make them towable. The availability of a **Demco Tow Bar Base Plate** does not imply that these vehicles can be modified or that there is an aftermarket product available. Refer to your vehicle owner's manual or consult your dealer to determine whether your vehicle can be modified to make it towable. Failure to observe this precaution could result in property damage or personal injury.

### **IMPORTANT INSTALLATION ITEMS**

DEMCO products and accessories are intended to be installed by professional installers with experience, proper equipment and the ability to do modification work. Installers with these qualifications can be found in RV and Automotive Service Centers.

If the car to be towed has been in an accident, the chassis may be damaged in an area where the Base Plate attaches. It may no longer be suitable for towing. Extreme caution and careful examination are required in such a situation. It is also likely, even from a minor accident, that the hole alignment will be more difficult due to hole alignment problems.

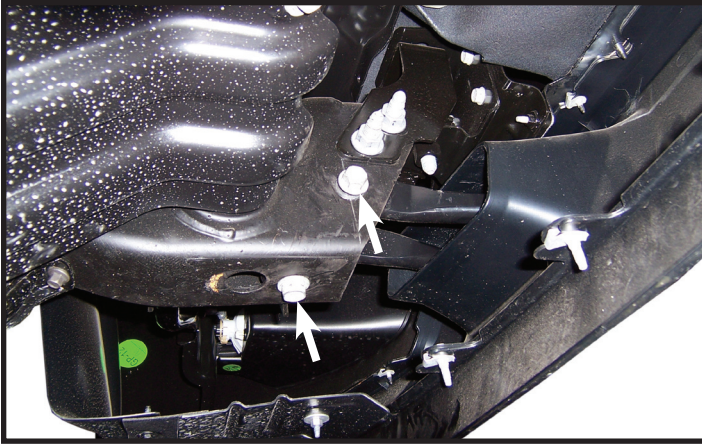
Many DEMCO Base Plates are designed to use existing holes and hardware to mount the Base Plate to the towed vehicle. Even though the bolt is there, however, do not assume it is adequate for mounting the Base Plate. Manufacturers make many changes in hardware both within and between model years. Be sure the bolt is long enough to protrude past the nut a distance no less than 1/2 the diameter of the bolt, after the Base Plate is mounted. The threads should be in good condition. **We require that “*LOCTITE*® Blue” be used on all bolts.** If a new bolt is required, be sure it is SAE Grade 5 or Metric 8.8.

#### **NOTE:**

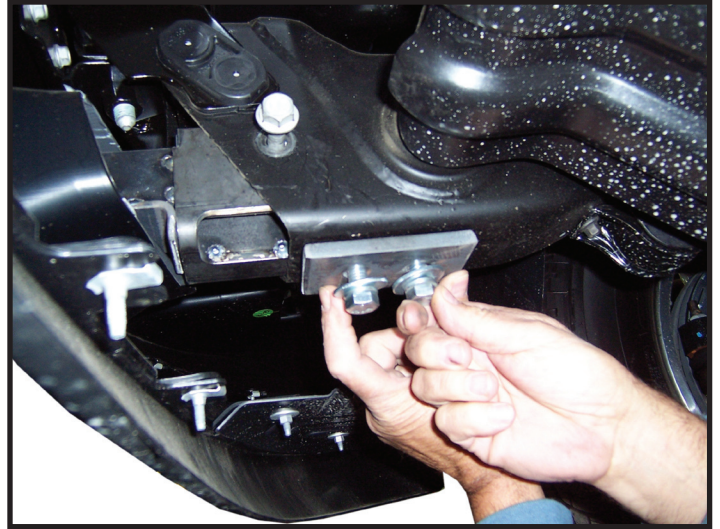
**The dimensional variations between otherwise identical vehicles can be considerable. Some minor modifications may have to be made to ensure a proper fit.**



## INSTALLATION INSTRUCTIONS



1. Remove tow hooks, on each side, by removing two bolts from each hook. NOTE: Long crossbolt and nut will be reused.

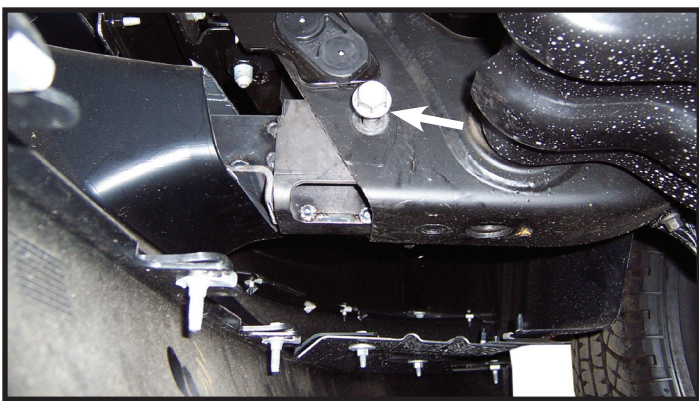


4. Install back-up plate with two 1/2" UNC 1-3/4" bolts, 1/2" lock washers, and 1/2" flat washers. NOTE: One side of back-up has a washer welded on, this will go into large hole in frame.

5. Remove protective tape.



2. Apply protective tape (duct tape) by lining top and bottom of tow hook opening to protect fascia during installation.



3. Slide base plate pull pods into end of frame. (See front page for which pull pod is passenger side and driver side.) Insert long crossbolt now and check for alignment of baseplate bottom bolt thru frame. In some cases this hole may have to be slightly elongated with a die grinder.

**NOTE:** Use Blue **LOCTITE** on all bolts and torque bolts according to the chart on front page.



P.O. BOX 189  
4010 320th St., BOYDEN, IA. 51234  
PH: (712) 725-2311  
FAX: (712) 725-2380  
TOLL FREE: 1-800-54DEMCO (1-800-543-3626)  
[www.demco-products.com](http://www.demco-products.com)

**Go online to [www.demco-products.com](http://www.demco-products.com) for Demco  
warranty policies & product registration.**