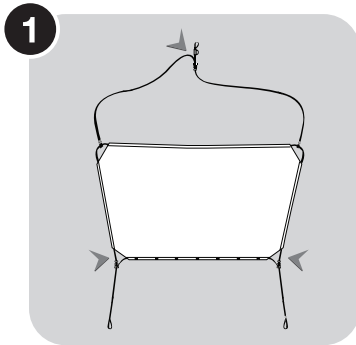


Class A Windshield Cover

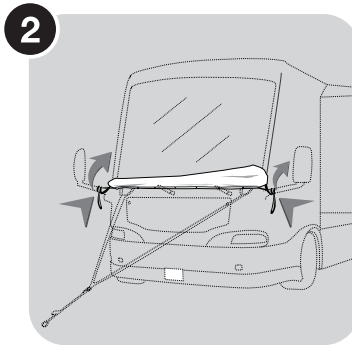
Installation Instructions

ADCO
SINCE 1955



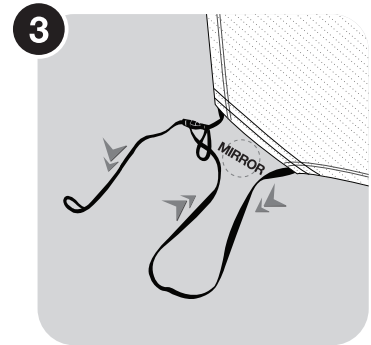
1 General Advice

- Cover attaches to RV at **3 points**, the **side mirrors** and **any center mounted roof-top accessory** (A/C units and Satellite Dishes are recommended).
- Once you have adjusted the straps and buckles to the correct size, installation should take no more than 5 minutes.
- Strap abrasion to the vehicle's finish is possible and can be avoided by adjusting the provided abrasion sleeves.
- **This product is intended for short term usage.**



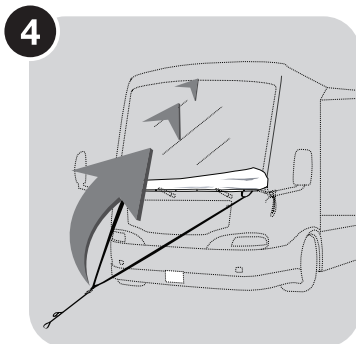
2 Orientation

- Locate the elastic strap along the top edge of the cover. This strap can be used to help store the longer straps while the product is not being used, but also helps you differentiate the top and bottom of the cover.
- Next, locate the left bottom corner strap which will be attached to the left mirror in the next step.
- Note that the white side of the cover faces out towards the sun.



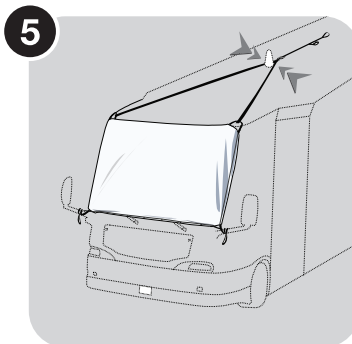
3 Attaching to Mirrors

- Adjust each bottom corner strap to fit snug over the side mirror arms.
- Adjust the abrasion sleeves on the straps to vehicle contact points where necessary.
- If your RV has top mounted mirrors, rotate the cover upside down.
- Once the straps are secured on each mirror, adjust strap length as necessary so that the cover is perfectly centered.



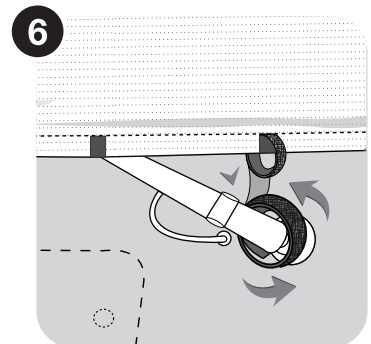
4 Toss Roof Straps onto Roof

- Now, toss the roof-top straps onto the roof, using the small weighted sack to help you.



5 Attaching to Roof-top Accessory

- Guide each of the top corners over the top corners of the RV.
- Adjust the abrasion sleeves on the straps to vehicle contact points as necessary.
- Slip the long strap over any center mounted accessory and tighten.
- If you have top mounted mirrors, instead of anchoring the top strap around a roof accessory, adjust this strap around the under carriage of the RV. You would essentially be using the cover upside down.



6 Optional Wiper Attachments

- On certain vehicles you may find it necessary to anchor the bottom of the cover to the windshield wiper bolts with the provided Velcro strips and exposed bottom hem.
- This will help prevent the cover from sliding up on the windshield glass leaving the bottom exposed to the sun.
- **Most vehicles will not require this step.** We do not recommend attaching directly to the wiper blades.

ADCO
2 YEAR
WARRANTY
www.AdcoProd.com

*This warranty is limited to the replacement value of the cover.