

CRE3000

SUSPENSION SYSTEM

QUALIFICATION GUIDE



STEP 1A

If axles are Over Slung (OS) as shown in figure 1, ALL frame hangers need to be a minimum of 3 1/4" tall.

STEP 1B

If axles are Under Slung (US) as shown in figure 2, ALL frame hangers need to be a minimum of 4 1/4" tall.



figure 1



figure 2

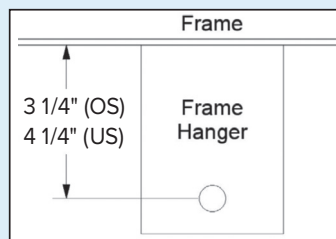


figure 3

STEP 2

Equalizer hanger width **MUST** be 3" and 1 1/2" from edge of hanger to center of hole. If wider, trim hanger as shown in figure 4. Contact MORryde for variations other than what is shown.

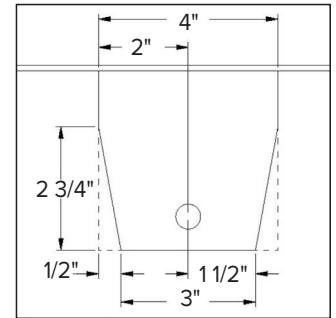


figure 4

STEP 3

If frame hanger has height adjustment, the **CRE3000** must be installed in the tall ride height (lowest hole) OR the taller setting(s) (lowest holes) could be cut off—be sure to leave the same amount of material below the installation hole as there was below the bottom hole.

STEP 4

A minimum of 1 11/16" (A) clearance is required from the side of the tire to the side of the frame hanger.

STEP 5

A minimum of 3" (B) clearance is required from the top of the tire to the bottom of the floor at load. It is best practice to utilize a bump stop on the frame of the trailer for the axle assembly to bottom into before the tire contacts the floor.

STEP 6

A minimum of 2 1/2" (C) clearance is required from the closest part of axle assembly to the underside of the frame at load.

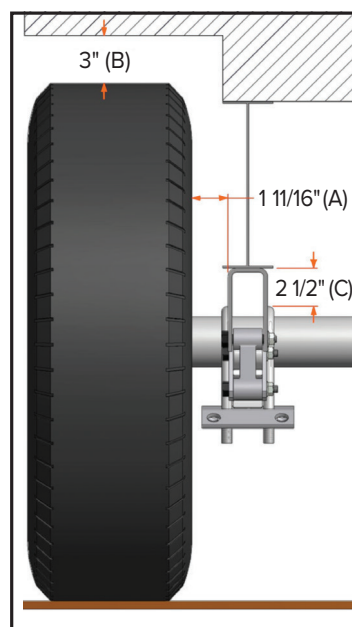


figure 5

PLEASE NOTE:

The **CRE3000** is designed for a 1 3/4" wide double eye leaf spring. It is **NOT** compatible with slipper style leaf springs.

STEP 7A

If the height of the stock equalizer is **greater than** 2 3/4" (D) as shown in figure 6, complete the following dimension checks:

$$\frac{(\text{Height of stock equalizer} - 2 \frac{3}{4}'')}{2} = X$$

(Your Dimension (B) from figure 5) – X must be a minimum of 3"

(Your Dimension (C) from figure 5) – X must be a minimum of 2 1/2"

STEP 7B

If the height of the stock equalizer is **less than** 2 3/4" (D) as shown in figure 6, complete the following dimension checks:

$$\frac{(2 \frac{3}{4}'' - \text{Height of stock equalizer})}{2} = Y$$

(Your Dimension (B) from figure 5) + Y must be a minimum of 3"

(Your Dimension (C) from figure 5) + Y must be a minimum of 2 1/2"

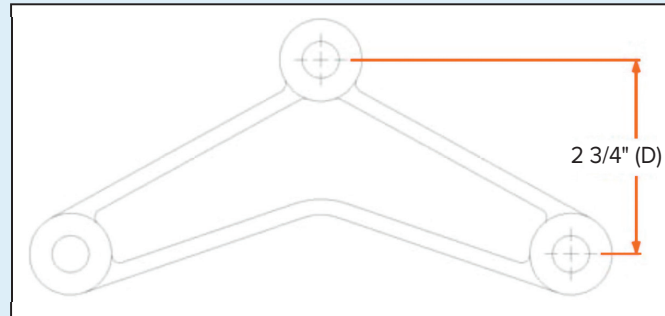


figure 6

STEP 8

Verify the frame hanger spread (FHS) meets the minimum measurement required given the variables in the table on the right.

Wheelbase	Leaf Spring Length	Equalizer Length	Minimum FHS Measurement	
			Tandem	Triple
33"	24"	N/A	54 7/8"	85 7/8"
33"	26"	N/A	58 7/8"	91 7/8"
35"	26"	N/A	60 3/4"	95 3/4"
42"	26"	14 3/4" (See figure 8)	67 3/4"	N/A
42"	31"	10" (See figure 9)	72 3/4"	N/A

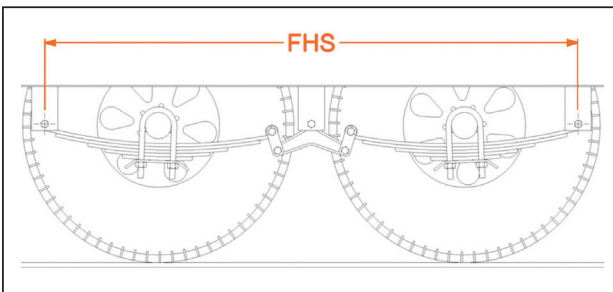


figure 7



figure 8

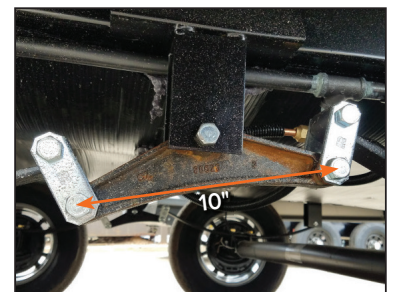


figure 9

STEP 9

Shackle links that measure 2 1/4" from hole center to hole center must be used. The only allowable exception is that 3 1/8" shackle links may be used in conjunction with 4 1/4" or taller equalizer hangers AND overslung axles.



Above. Beyond. Always.

574.293.1581 • www.MORryde.com