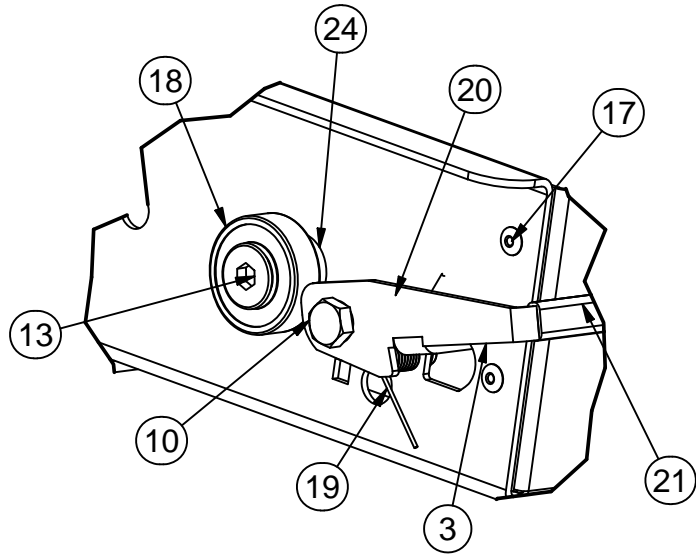
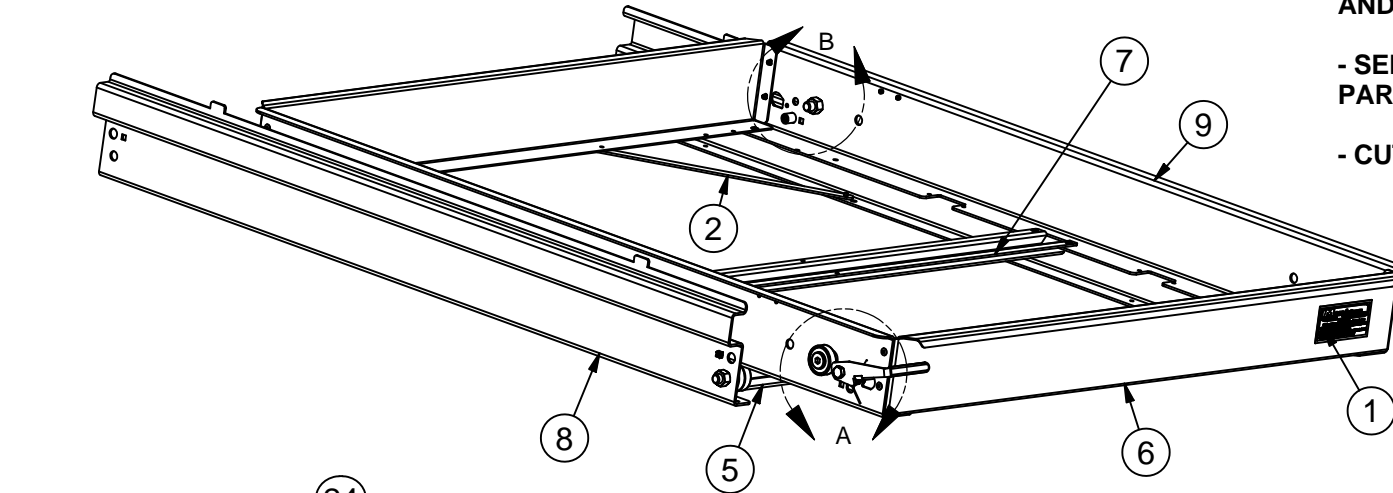


- CT - POWDER COAT BLACK
 - CTG - POWDER COAT GRAY

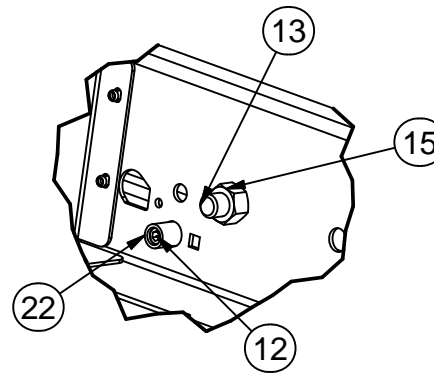
- SEE PAGE 2 FOR PART NUMBER CHART
 AND DIMENSIONAL INFORMATION

- SEE PAGE 3 FOR REPLACEMENT
 PART INFORMATION

- CUT WOOD AND CARPET TO FIT (SP56-079)



DETAIL A



DETAIL B

Parts List

ITEM	QTY	PART NUMBER
1	1	CARGO TRAY STICKER
2	2	CTG205-001
3	1	CTG213-001
4	1	CTG213-058
5	2	CTG224-Width
6	2	CTG225-Width
7	1	CTG226-Width
8	2	CTG227-048
9	2	CTG228-048
10	1	UO115-013
11	1	UO115-298
12	2	UO115-359
13	6	UO115-372
14	1	UO116-002
15	6	UO116-094
16	1	UO116-105
17	26	UO136-137
18	8	UO136-441
19	1	UO136-486R
20	1	UO136-488
21	1	UO136-496
22	2	UO136-605
23	2	UO136-638
24	4	UO136-707
25	2	UO136-758

DRAWN:	Jon Kauffman	CHECKED:	DATE:	8/2/2011
MATERIAL:	STEEL			
FINISH:	SEE NOTES			
ALL DIMENSIONS ARE O.D. UNLESS OTHERWISE NOTED				
TOLERANCE OF DIMENSIONS (INCHES)				
UNLESS OTHERWISE SPECIFIED:				
LASER:	2 PLACES ± 0.020	3 PLACES ± 0.010		
BRAKE:	2 PLACES ± 0.063	3 PLACES ± 0.031		
WELDING:	2 PLACES ± 0.063	3 PLACES ± 0.031		
SHOP ENG:	2 PLACES ± 0.030	3 PLACES ± 0.010		
CUTOFF:	± 0.031			
ANGULAR: ± 1° FLATNESS: ± 0.06/10.00				

CTG60-XX48

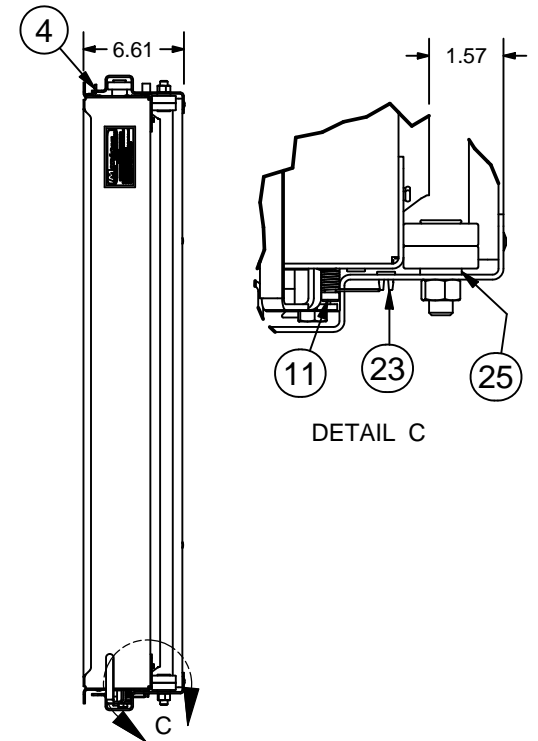
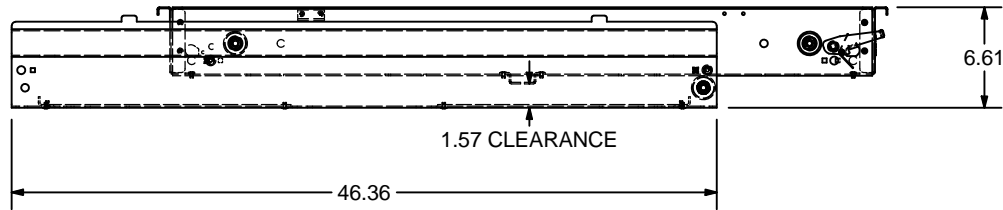
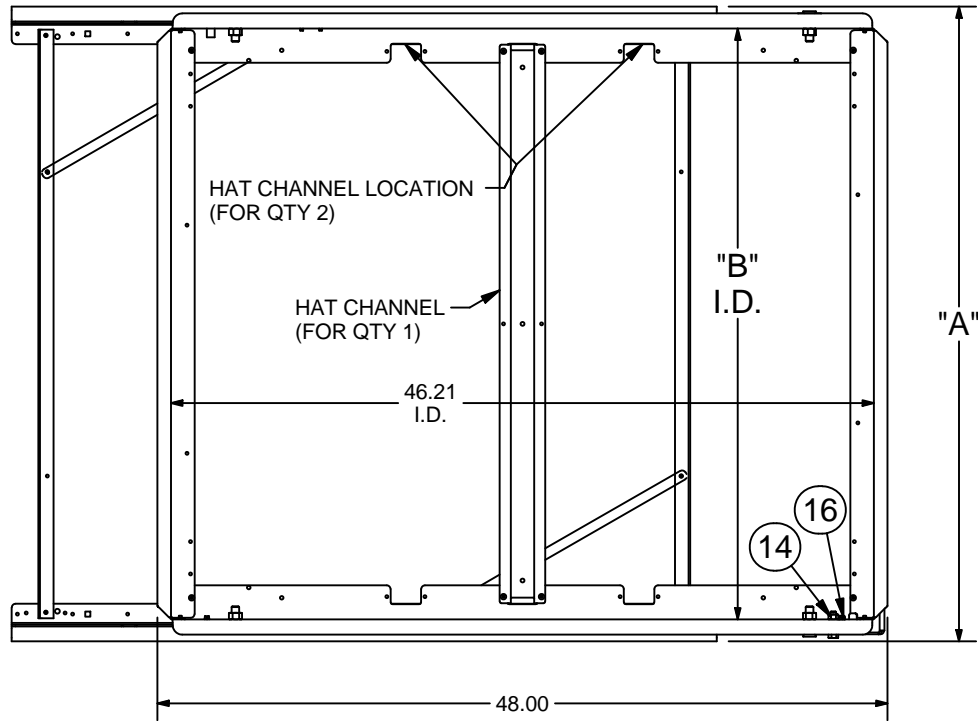
CARGO SLIDE XX" x 48"



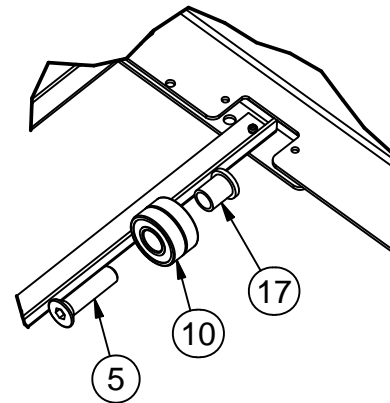
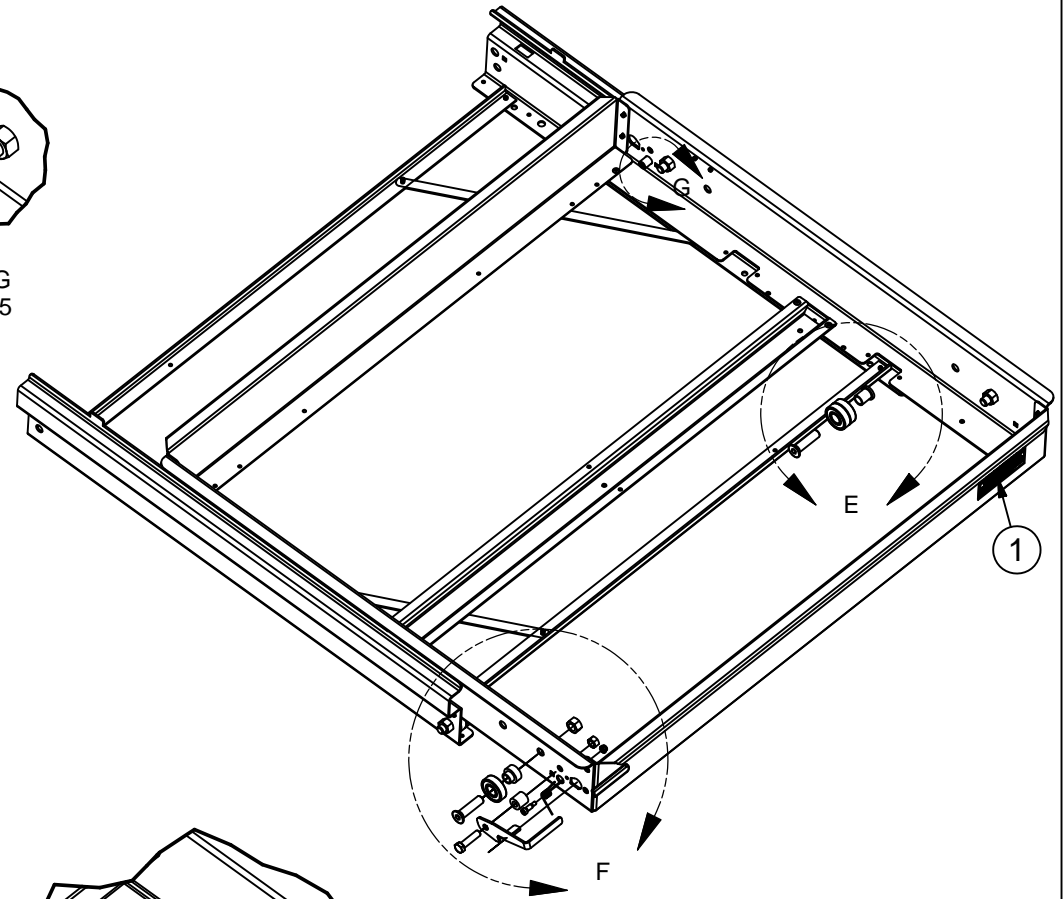
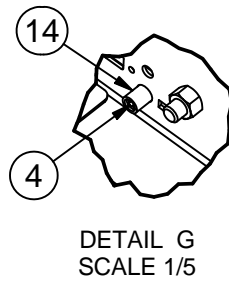
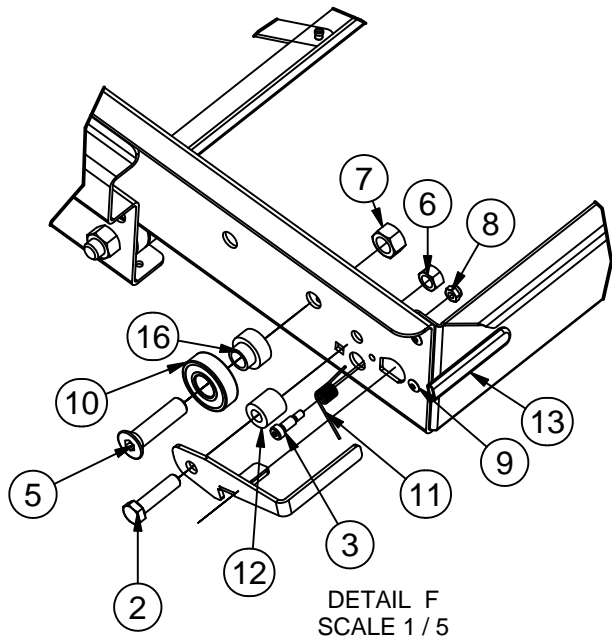
THIS DRAWING & THE INFORMATION CONTAINED THEREON ARE THE EXCLUSIVE PROPERTY OF MORRYDE. THEY SHALL NOT BE COPIED OR DUPLICATED WITHOUT OUR CONSENT.

Table			
Part Number	Dim. "A"	Dim. "B"	# OF HAT CHANNELS
CTG60-2048W	19.74	16.85	1
CTG60-2648W	25.74	22.85	1
CTG60-2948W	28.74	25.85	1
CTG60-3348W	32.74	29.85	1
CTG60-3648W	35.74	32.85	1
CTG60-3948W	38.74	35.85	1
CTG60-4248W	41.74	38.85	2
CTG60-4848W	47.74	44.85	2
CTG60-5248W	51.74	2	

- CT - POWDER COAT BLACK
- CTG - POWDER COAT GRAY
- CUT WOOD AND CARPET TO FIT (SP56-079)



DRAWN: Jon Kauffman	CHECKED: DATE: 8/2/2011	CTG60-XX48
MATERIAL: STEEL		CARGO SLIDE XX" x 48"
FINISH: SEE NOTES		
ALL DIMENSIONS ARE O.D. UNLESS OTHERWISE NOTED		
TOLERANCE OF DIMENSIONS (INCHES)		
UNLESS OTHERWISE SPECIFIED:		
LASER: 2 PLACES ± 0.020 3 PLACES ± 0.010 BRAKE: 2 PLACES ± 0.063 3 PLACES ± 0.031 WELDING: 2 PLACES ± 0.063 3 PLACES ± 0.031 SHOP ENG: 2 PLACES ± 0.030 3 PLACES ± 0.010 CUTOFF: ± 0.031		
ANGULAR: ± 1° FLATNESS: ± 0.6/10.00		THIS DRAWING & THE INFORMATION CONTAINED THEREON ARE THE EXCLUSIVE PROPERTY OF MORRYDE. THEY SHALL NOT BE COPIED OR DUPLICATED WITHOUT OUR CONSENT. SHEET 2 OF 3



Parts List

ITEM	QTY	PART NUMBER	DESCRIPTION
1	1	CARGO TRAY STICKER	
2	1	UO115-013	BOLT - 3/8-16 x 1-1/2" HHCS
3	1	UO115-298	BOLT - 10-24 SHOULDER OD x 1/4" x 1/2" LG
4	2	UO115-359	BOLT - 3/8-16 x 3/4" NYLON SET SCREW
5	6	UO115-372	BOLT - 1/2-13 x 2" FLAT HEAD SOCKET
6	1	UO116-002	NUT - 3/8-16 CENTER LOCK ZINC
7	6	UO116-094	NUT - 1/2-13 CENTER LOCK ZINC
8	1	UO116-105	NUT - 10-24 NYLON LOCK NUT
9	26	UO136-137	3/16 RIVET
10	8	UO136-441	BEARING - .668" ID x 1.575" OD x .47" WIDE
11	1	UO136-486R	TORSION SPRING 0.404 OD
12	1	UO136-488	PLASTIC SPACER - .38" ID x .75" OD .75" LG
13	1	UO136-496	YELLOW RUBBER GRIP
14	2	UO136-605	RIVET NUT - 3/8-16
15	2	UO136-638	NYLON GROMMET NUT, .060 HEAD HEIGHT
16	4	UO136-707	SINGLE BEARING SLEEVE - PLASTIC
17	2	UO136-758	DOUBLE BEARING SLEEVE - PLASTIC

DRAWN: Jon Kauffman	CHECKED: DATE: 8/2/2011	CTG60-XX48
MATERIAL: STEEL		NONE
FINISH: VARIOUS		CARGO SLIDE XX" x 48"
ALL DIMENSIONS ARE O.D. UNLESS OTHERWISE NOTED TOLERANCE OF DIMENSIONS (INCHES) UNLESS OTHERWISE SPECIFIED:		
LASER:	2 PLACES ± 0.020	3 PLACES ± 0.010
BRAKE:	2 PLACES ± 0.063	3 PLACES ± 0.031
WELDING:	2 PLACES ± 0.063	3 PLACES ± 0.031
SHOP ENG:	2 PLACES ± 0.030	3 PLACES ± 0.010
CUTOFF:	± 0.031	
ANGULAR: ± 1°		FLATNESS: ± 0.06/10.00
		<small>THIS DRAWING & THE INFORMATION CONTAINED THEREON ARE THE EXCLUSIVE PROPERTY OF MORRYDE, THEY SHALL NOT BE COPIED OR DUPLICATED WITHOUT OUR CONSENT.</small>
		SHEET 3 OF 3