



**OVER 35 YEARS OF INNOVATION, QUALITY, SAFETY.**  
IMPORTANT OWNER-OPERATOR INSTALLATION INSTRUCTIONS

## **D2126, D2127**



REVISED version 8 BY: TD 1/30/2015  
TECH SUPPORT (800) 246-8132

**AFTER INSTALL, PLEASE GIVE  
THIS BOOKLET TO YOUR CUSTOMER**

# Warnings

## Truck Bed and Camper Protection

Torklift **does not** recommend installing your camper on top of a plastic bed liner (or other compressible material such as foam). These materials can act as a spring, causing increased vertical truck camper movement independent of the vehicle. Plastic bed liners can slide on the truck bed surface, and the truck camper can slide on top of the bed liner. Using a plastic bed liner or similar compressible material will void your warranty and may additionally cause truck bed and/or camper damage.

Minor movement or settling can occur in some incidental harsh driving conditions (on or off-road). A rubber bed mat is recommended to protect the truck bed and camper, but is not a requirement to maintain the Torklift legendary lifetime warranty.

## Suspension

To significantly reduce body roll, sag and sway Torklift strongly recommends the StableLoad. Torklift International StableLoads improve safety, handling, and to help level your truck. More information can be found at ([www.Torklift.com/stableload](http://www.Torklift.com/stableload)).

If your truck is additionally equipped with suspension air bags Torklift cautions against over pressurization as this may lead to unsafe vehicle handling characteristics. We have found that airbags used in conjunction with StableLoads have allowed operators to lower air bag pressure by 50% or more. Only pressurize suspension air bags enough to level the truck.

**Parts Inventory** ..... 3

**Step 1: Installation Prep** ..... 4

**Step 2: Locate The Mounting Point**..... 4

**Step 3: Installing Bolt Hardware** ..... 5

**Step 4: Mounting The Tie-Down Receiver** ..... 6

**Step 5: Mounting Backing Plate** ..... 8

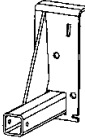
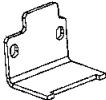


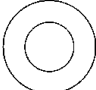


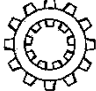

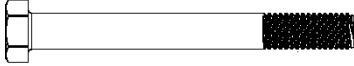
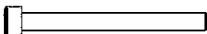


**Recommended Torque Ratings**..... 9

**Step 6: Installing Tie-Down Insert**..... 9

**Step 7: Passenger Side Tie-Down** ..... 10

NOTE: This tie downs insert bullet should be installed offset towards the rear of the truck instead of the front. The insert protrudes from under the rear of the cab.

## Parts Inventory

	Tie-Down Receiver	2
	Backing Plate	2
	Tie-Down Insert <i>(Note: D2126 insert is straight, while D2127 is bent)</i>	2
	1" (2cm) x 3" (8cm) Plate Washer	2
	1/2" SAE Flat Washer	10
	1/2" Lock Washer	6
	1/2" – 13 Grade 8 Hex Nut	6
	1/2" Star Washer	2
	1/2" -13 x 2" (5cm long) Grade 8 Bolt	2
	1/2" -13 x 4- 1/2" (11cm long) Grade 8 Bolt	4
	1/4" x 2-1/4" (6cm long) Snapper Pin	2
	1/2" Bolt Fisher	1
	2" Tubing Spacer	4

## **Step 1: Installation Prep**

Before beginning the **Tie-Down** installation process, disengage the parking brake and chock the wheels for easier installation.

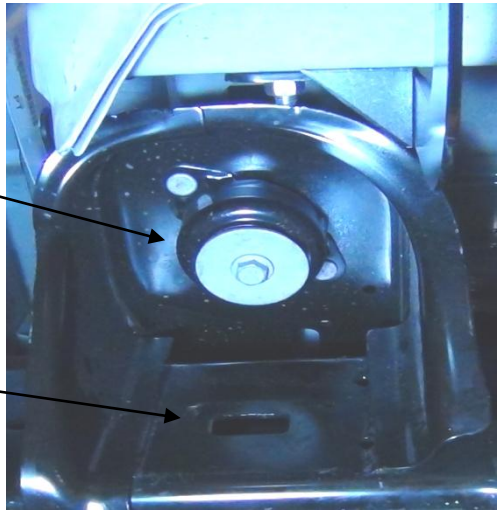
## **Step 2: Locate the Mounting Point**

The cab mount where the **Tie-Down Receiver** will be installed is located at the end of the cab and just before the start of the bed, see Photo 2A.

**Photo 2A**

**Cab Mount**

**Tie-Down  
Mounting  
Point**



### **Step 3: Installing Bolt Hardware**

#### **A) - 1/2" Bolt Fisher Assembly**

Begin by attaching the **1/2" Bolt Fisher** to the **1/2" -13 x 2"(5cm) Grade 8 Bolt**. Place one **1/2" Star Washer**, followed by one

**Photo 3A**

1

**1/2" Star Washer**



**1"(2cm) x 3"(8cm)  
Plate Washer**

**1/2" -13 x 2"(5cm)  
Grade 8 Bolt**

#### **B) - Installing Bolt Fished Hardware**

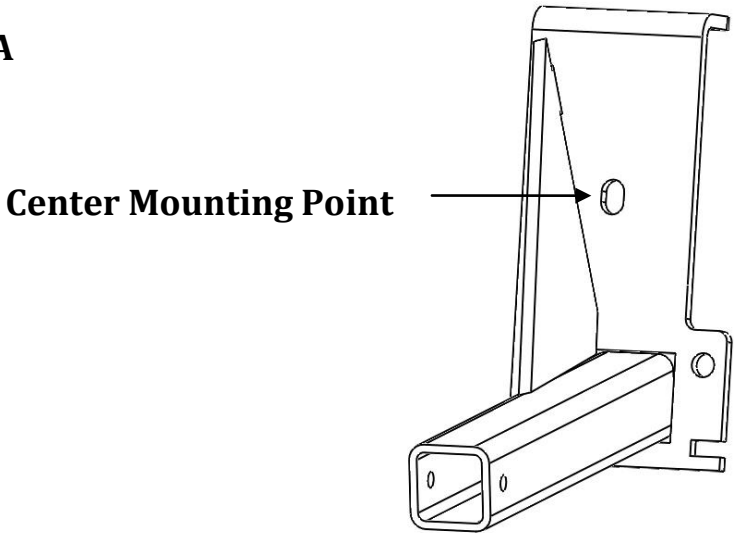
Take the previously assembled **1/2" Bolt Fisher Assembly** and put each piece of hardware through the Tie-Down Mounting point seen in Photo 2A.

## **Step 4: Mounting The Tie-Down Receiver**

### **A) - Bolt Fish Tie-Down**

Install the **1/2" Bolt Fisher** through the **Center Mounting Point** of the **Tie-Down Receiver**, see Figure 4A.

**Figure 4A**



### **B) - Fit Tie-Down to Frame**

Slide the top flange of the **Tie-Down Receiver** between the parking brake cable and frame. The top flange will rest on the top of the frame.

**Note: Tie-Down Receiver shown is D2127 Passenger Side**

**Note: If the emergency break cable was not disengaged it will make the installation of the driver side Tie-Down more difficult.**

### C) - Fish Bolts Through Frame and Tie-Down

With the **Tie-Down Receiver** fitted over the frame, pull the **1/2" Bolt Fisher Assembly** through the frame and out through the **Tie-Down Receiver** center mounting point.

### D) - Removal Of 1/2" Bolt Fisher

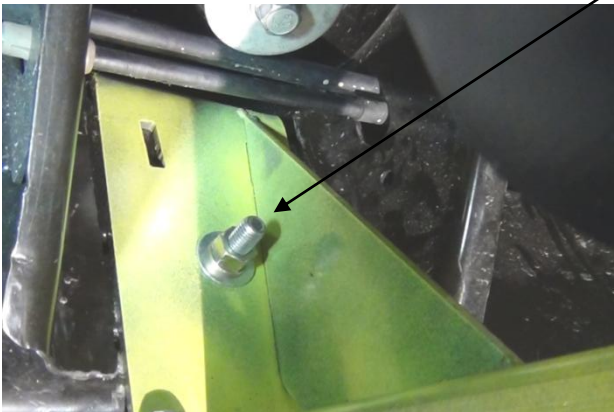
Now that the **1/2" Bolt Fisher Assembly** is installing out through your **Tie-Down Receiver** center mounting point, carefully remove the **1/2" Bolt Fisher**. Be sure not to drop the hardware into the frame.

### E) - Fastening Tie-Down To Frame

Place one **1/2" SAE Flat Washer**, and one **1/2" Lock Washer** over the **1/2" -13 x 2"(5cm long) Grade 8 Bolt** protruding through the center mounting point on the **Tie-Down Receiver**. Secure with a **1/2" – 13 Grade 8 Hex Nut**. Hand Tighten. See Photo 4E.

**Photo 4E**

**1/2" Mounting Assembly**



**Note: Photo of a D2126 Drive side Tie-Down Receiver**



## Step 5: Mounting Backing Plate

### A) - Backing Plate

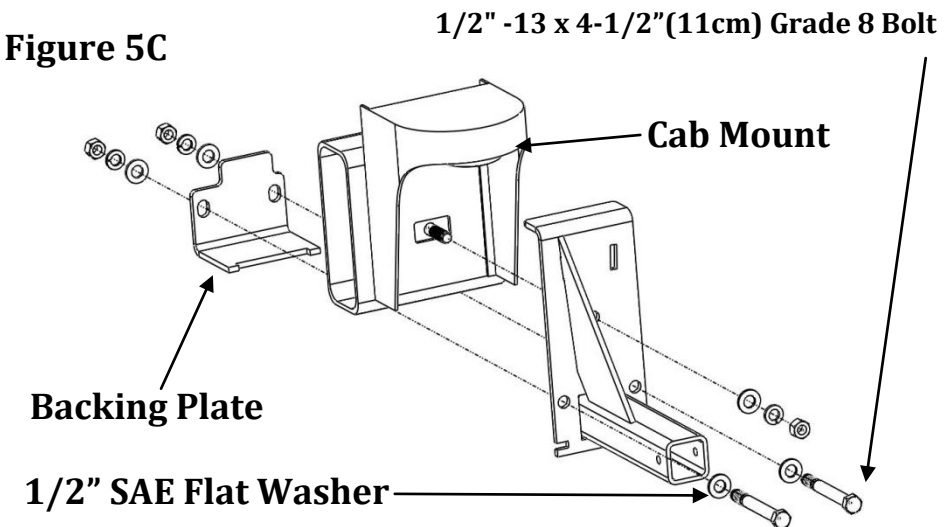
On D2126, the **Backing Plate** is offset and needs to be installed with the tall side towards the front of the truck. The D2127 **Backing Plate** is centered.

### B) - Align Backing Plate

In order to install the **Backing Plate**, align the tabs on the **backing plate** with the notches on the **Tie-Down Receiver** and hold the **Backing Plate** against the frame.

### C) - Install Backing Plate Bolts

With the Backing Plate held up to the frame install one **1/2" - 13 x 4-1/2"(11cm) Grade 8 Bolt** with one **1/2" SAE Flat Washer** through the **Tie-Down Receiver** and out through the **Backing Plate** as shown in Figure 5C.



Note: The Passenger Side Tie-Down in this figure is D2126.

**Note: On 3500 Trucks the 2" Tubing Spacer will need to be slid over the 1/2" -13 x 4-1/2" Grade 8 Bolt between the Tie-Down Receiver and Back Plate.**

**D) - Install Backing Plate Nuts**

Secure the other side of the **1/2" -13 x 4-1/2"(11cm) Grade 8 Bolt** with one **1/2" SAE Flat Washer**, one **1/2" Lock Washer**, and one **1/2" – 13 Grade 8 Hex Nut**. Hand tighten the **1/2" – 13 Grade 8 Hex Nut**. Refer back to Figure 5C for reference if needed.

**E) - Fastening Backing Plate to Tie-Down**

Repeat step 5C and 5D for fastening the second hole on the **Tie-Down** to the **Backing Plate**.

**Recommended Torque Ratings**

<b>1/2" -13 x 2"(5cm) Grade 8 Bolt</b>	<b>75 Ft-Lbs (101nm)</b>
<b>1/2" -13 x 4-1/2"(11cm) Grade 8 Bolt</b>	<b>55 Ft-Lbs (74nm)</b>

**Step 6: Installing Tie-Down Insert**

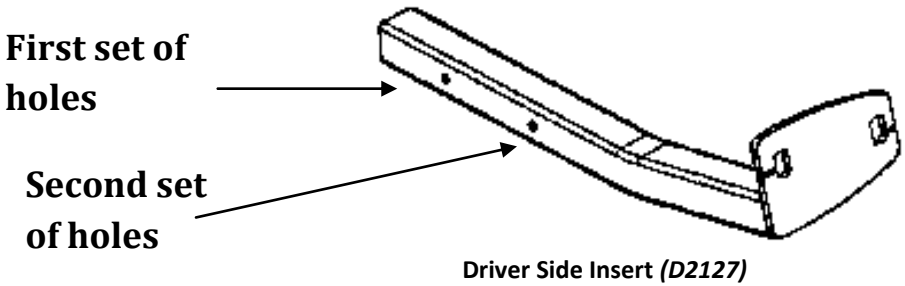
**A) - Selecting the Proper Insert**

When Installing the Insert make sure the **Tie-Down Insert** being installed on the D2126 or D2127 Front **Tie-Down Receiver** is offset towards the rear of the Truck for clearance.

## B) - Installing Insert

Insert the **Tie-Down Insert** into the **Tie-Down Receiver**. Align the holes in the **Tie-Down Insert** with the holes in the **Tie-Down Receiver**. Secure with a **1/4" x 2-1/4" (6cm) Snapper Pin**. Either set of holes in the **Tie-Down Insert** can be used. Use the first set of holes to increase clearance around the truck body.

**Figure 6B**



### **Step 7: Passenger Side Tie-Down**

To install the passenger side **Tie-Down Receiver**, repeat steps 1 through 6 on the passenger side of the truck.

## **RECOMMENDED TRUCK CAMPER INSTALLATION INSTRUCTIONS**

When securing any heavy load (especially a camper) in your truck bed, your front tie down points should pull the load forward as much as possible. Some camper anchor points may differ with different manufacturers, as well as the camper jack mounting locations. Your Torklift tie down inserts have offset triangular brackets to increase the angle of pull. These are designed to be used in the front facing forward, and the rear facing rearward but can be used in either front or rear. These recommendations are to be considered and followed as a basic rule of thumb. Obviously there will be some applications where this may not be possible. At a minimum, if opposite pull of both front and rear Tiedowns cannot be achieved for whatever reason, you should have at least a forward pull at the front or rear location. If your camper does not come with Rubber Bumpers on the front lower portion of the camper, installing Rubber Bumpers (Torklift has Rubber Bumpers available Part A7001) or using a block of wood such as a 2 x 4 in the bed, will prevent the camper from damaging the front bulk head of the truck bed. Minor movement (or settling) can occur in some incidental harsh driving conditions (on or off road). A rubber bed mat is not a requirement to maintain the lifetime warranty on a Torklift system, but a strong recommendation simply as a safety precaution to protect the truck bed, the bottom of the camper and to give the camper additional support.

**TORKLIFT DOES NOT RECOMMEND:** Installing your truck camper in your truck on top of a drop in plastic bed liner!!! The drop in plastic bed liners can slide on top of the truck bed surface, and the camper can slide on top of the slick surface of the bed liner. The liner can also act as a spring causing a trampoline effect increasing vertical truck camper movement, independent of the vehicle, possibly resulting in truck bed, and camper damage!

## **INSTRUCTIONS FOR FINISH MAINTENANCE OF TORKLIFT PRODUCTS**

### **POWDER COATED STEEL:**

To keep your Torklift products looking good follow these guidelines. All steel powder coated Torklift products are sandblasted for maximum adhesion and use a high quality industrial urethane based powder coat. Due to the extreme, harsh, undercar environment that your Torklift products live in, (consistently sprayed with corrosive road chemicals such as salt, and road debris), Torklift does not warranty the power coated finish.

To minimize corrosion from these factors on powder coated steel products, Torklift recommends regularly cleaning and inspecting the powder coated surface and touching up any affected areas with an enamel or urethane based aerosol paint product. If there are any areas of surface rust, there are also aerosol spray rust converters available on the market that can be used as a preparation to touch-up paint application. These finish maintenance products are available at any automotive parts supplier.

### **POLISHED STAINLESS STEEL :**

TorkLift utilizes quality grade 304 stainless steel in our stainless steel polished products. 304 stainless

steel is well known for its anti-corrosive properties. However, in some environments such as coastal regions or when coming in contact with some road chemicals, corrosion may occur. For a quick clean simply use WD40 and a cloth rag. We also recommend occasional polishing of our polished stainless products to maintain their attractive finish. Use an approved stainless steel chrome or aluminum mag wheel polish cleaning product which can be purchased from any automotive parts supplier.



## **Frame Mounted Tie Downs**

Leading the camper tie down industry in strength, quality, advanced design and installation. TorkLift TRUE framemounted tie downs are far superior to all tie down systems available.

The TorkLift system is unique in its design and is patented. Four independent tie down points (with no belly or crossbar) working much like your receiver type trailer hitch as the inserts are removable allowing the system to be virtually undetectable when not in use. They are designed for each make and model to fit tight to the frame so as not to compromise ground clearance. Torklift tie downs are not universal 'one size fits all' therefore all the problems with correct fit for each particular application have been eliminated.

**VISIT [WWW.TORKLIFT.COM](http://WWW.TORKLIFT.COM) FOR MORE INFORMATION**

### **Original SuperHitch & SuperHitch Magnum**

High strength extended hitch system engineered for safely towing all types of trailers behind your truck and camper. With a max towing capacity of 14,000 lbs.(6350kg) with an extension\* , (17,000 lbs.(7711kg) to 20,000 lbs.(9071kg) without\*) the Original SuperHitch and Superhitch Magnum are rated the strongest in the industry.



**CONTACT YOUR LOCAL DEALER FOR MORE DETAILS**

# **Torklift International Limited Lifetime Warranty Information**

1901 Fryar Ave Sumner, WA 98390

Torklift will require proof of purchase to register, with pictures of any defective product before issuing a replacement. Torklift will not register any product without proof of purchase, which can be faxed, scanned, emailed, or mailed to the information provided below.

Torklift warrants its hitches, custom hitch receivers, frame mounted tie downs, turnbuckles, and accessories (excluding wire harnesses which carry a 90 day warranty) from date of purchase against defects in material and workmanship under normal use and service for the ownership life of the original consumer purchaser. **ALL COMMERCIAL APPLICATIONS ARE WARRANTED FOR A PERIOD OF 90 DAYS FROM THE DATE**

**OF INSTALLATION/SERVICE.** Torklift will replace **FREE OF CHARGE** any part which proves defective in material or workmanship when presented to Torklift, **TRANSPORTATION CHARGES PREPAID** by purchaser, at the address above. **THIS WARRANTY IS LIMITED TO DEFECTIVE PARTS**

**REPLACEMENT ONLY. LABOR CHARGES AND/OR DAMAGE INCURRED IN INSTALLATION OR REPLACEMENT, AS WELL AS INCIDENTAL AND CONSEQUENTIAL DAMAGES CONNECTED THEREWITH ARE EXCLUDED.** This warranty does not include the finish or paint on our products. Rusting, cracking or peeling of the finish is also excluded. Some states do not allow the exclusion or limitation of incidental or consequential damages, so the above limitation or exclusion may not apply to you. Any damage to Torklift products as a result of misuse, abuse, neglect, accident, improper installation or any use violative of instructions furnished by Torklift or **WHEN USED IN ANY COMMERCIAL APPLICATION WILL VOID THE WARRANTY.**

This warranty gives you specific legal rights, and you may also have rights which vary from state to state. With warranty service, you may be able to go to a small claims court, a state court or a federal district court.



OVER 35 YEARS OF INNOVATION, QUALITY, SAFETY.

**1901 Fryar Avenue Sumner WA, 98390**  
**Phone (800) 246-8132 Fax (253) 854-8003**

**Or visit our website: [www.TorkLift.com](http://www.TorkLift.com)**

Dear Valued Customer,

Thank you for making TorkLift your choice for truck, camper packages and accessories for your vehicle. By choosing TorkLift products, you have chosen a company that has been serving the RV industry for nearly 40 years and whose name has become synonymous with strength, quality and advanced design and installation.

Please take a few moments of your time to complete the Product Registration Warranty Card on the next page. When registering your newly purchased TorkLift products, you can be assured that your contact information is secure and that you and your product are getting the attention and respect that you deserve.

Thank you again for choosing TorkLift quality products.

**Register for your lifetime warranty and receive a free  
Torklift  
International gift.**

To Fax: Send copies of the questionnaire, warranty card and receipt to  
253-854-8003

To E-mail: Send copies of the questionnaire, warranty card and receipt to  
[warranty@torklift.com](mailto:warranty@torklift.com)



**OVER 35 YEARS OF INNOVATION, QUALITY, SAFETY.**

To Mail: Send to Torklift International 1901 Fryar Ave Sumner, Wa 98390

## OFFICIAL WARRANTY REGISTRATION CARD

PLEASE FILL OUT THIS FORM COMPLETELY AND RETURN TO TORKLIFT WITHIN

30 DAYS OF PURCHASE ACCOMPANIED BY A COPY OF YOUR ORIGINAL RECEIPT

### 1. PART(S) PURCHASED

TODAY'S DATE: \_\_\_\_\_

PART#: \_\_\_\_\_ PART#: \_\_\_\_\_

PART#: \_\_\_\_\_ PART#: \_\_\_\_\_

PART#: \_\_\_\_\_ PART#: \_\_\_\_\_

### 2. PURCHASER INFORMATION

NAME: \_\_\_\_\_

ADDRESS: \_\_\_\_\_

CITY: \_\_\_\_\_ STATE: \_\_\_\_\_ ZIP / POSTAL CODE: \_\_\_\_\_

PHONE: ( ) - \_\_\_\_\_ EMAIL: \_\_\_\_\_

### 3. TRUCK INFORMATION

YEAR: \_\_\_\_\_ MAKE: \_\_\_\_\_

MODEL: \_\_\_\_\_ BED LENGTH: \_\_\_\_\_

### 4. CAMPER INFORMATION

YEAR: \_\_\_\_\_ MAKE: \_\_\_\_\_ MODEL: \_\_\_\_\_

### 5. DEALER INFORMATION

PURCHASED FROM: \_\_\_\_\_

ADDRESS: \_\_\_\_\_

CITY: \_\_\_\_\_ STATE: \_\_\_\_\_ ZIP / POSTAL: \_\_\_\_\_

INSTALLED BY: OWNER ABOVE DEALER ANOTHER DEALER

IF ANOTHER DEALER, WHO: \_\_\_\_\_