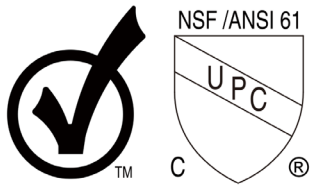


## Dura Faucet Limited Lifetime Warranty

Dura Faucet warrants its RV faucets to be leak and drip free during normal use for as long as the original consumer purchaser owns a Dura Faucet. | If the faucet should leak or drip during normal use, Dura Faucet will, free of charge, mail to the purchaser the cartridge necessary to put the faucet in good working condition. This warranty applies only to Dura Faucets installed in the United States of America, Canada or Mexico (North America). | Dura Faucet also warrants all other aspects of the faucet or accessories to be free of defects in material and workmanship during normal usage in a recreational vehicle for as long as the original consumer purchaser owns his or her Dura Faucet, Plated metal and plated plastic finishes are warranted for (1) year. | If a defect is found during normal use, Dura Faucet will, at its election, repair, provide a replacement part or product, or make appropriate adjustment. Damage to a product caused by accident, misuse, or abuse is not covered by this warranty. Improper care and cleaning will void the warranty. Proof of purchase (original sales receipt) must be provided to Dura Faucet with all warranty claims. Dura Faucet is not responsible for labor charges, installation, or other incidental or consequential costs. In no event shall the liability of Dura Faucet exceed the purchase price of the faucet. | If you believe that you have a warranty claim, contact Dura Faucet through our online contact form. Please be sure to provide all pertinent information regarding your claim, including a complete description of the problem, the product, model number, color, finish, the date the product was purchased and from whom the product was purchased. Also include your original invoice. | DURA FAUCET AND/OR SELLER DISCLAIM ANY LIABILITY FOR SPECIAL, INCIDENTAL OR DONSEQUENTIAL DAMAGES. | Some states/provinces do not allow limitations of how long an implied warranty lasts or the exclusion of limitation of such damages, so these limitations and exclusions may not apply to you. This warranty gives the consumer specific legal rights. You may also have other rights that vary from state/province to state/province.

\* Never use cleaners containing abrasive cleansers, ammonia, bleach, acids, waxes, alcohol, solvents or other products not recommended for plated metal or plastic finishes. This will void the warranty.



19215 SE 34th St. Ste 106-382  
 Camas, WA 98607  
 Tel/Fax: 888-242-5932  
 www.durafaucet.com



# DURA Faucet

RV Faucet Specialists

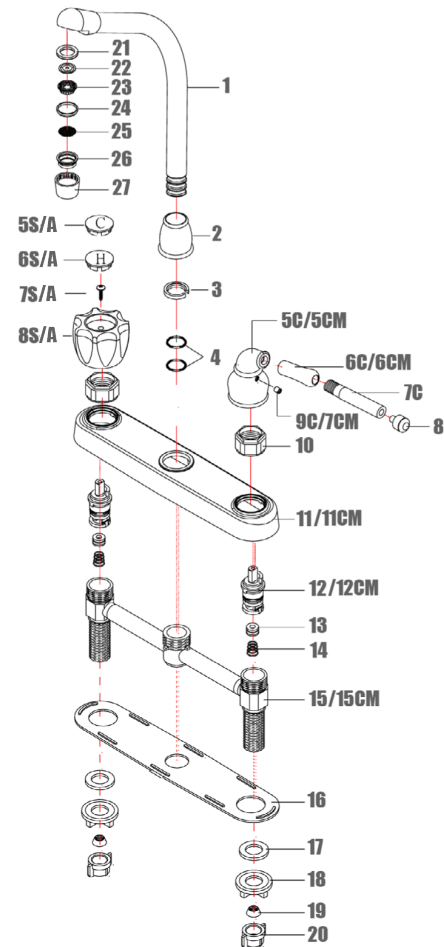
## DF-PK210 Hi-Rise RV Kitchen Faucet



**DF-PK210S/A**  
**Acrylic Knobs**  
**Smoked/Crystal**

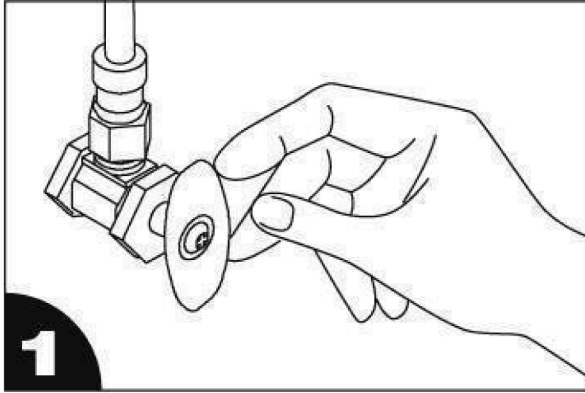


**DF-PK210C/CM**  
**Classical Levers**  
**Plastic/Metal**



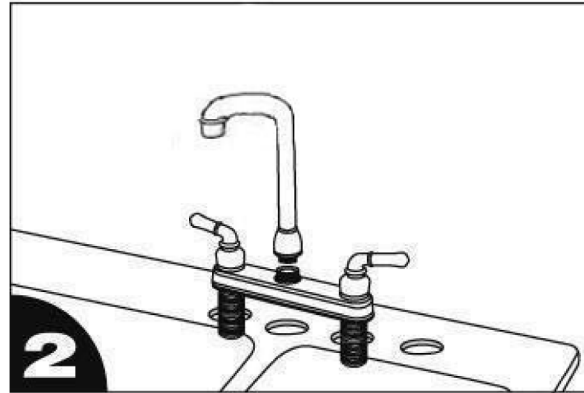
- 1 Brass Spout (1)
- 2 ABS Spout Nut (1)
- 3 POM C-Ring (1)
- 4 Rubber O-Ring (2)
- 5S/A Acrylic/Al C-Button (1)
- 5C ABS Base (2)
- 5CM Zn Base (2)
- 6S/A Acrylic/Al H-Button (1)
- 6C ABS Handle (2)
- 6CM Zn Handle (2)
- 7CM, 7S/A, 9C Stainless Steel Handle Screw (2)
- 7C ABS Axle (2)
- 8S/A Acrylic Handle (2)
- 8C ABS Plug (2)
- 10 ABS Nut (2)
- 11 ABS Escutcheon (1)
- 11CM Zn Escutcheon (1)
- 12 POM/Rubber/Stainless Steel Cartridge-Hot (2)
- 12CM Brass/POM/Rubber/Stainless Steel Cartridge-Hot (2)
- 13, 17, 19, 21 Rubber Washer (2)
- 14 Stainless Steel Spring (2)
- 15 POM/Rubber Body (1)
- 15CM POM/Rubber/Brass Body (1)
- 16 PP Base Plate (1)
- 18 ABS Mounting Nut (2)
- 20 ABS Coupling Nut (2)
- 22 POM Flow Restrictor (1)
- 23 POM Filter Nut (1)
- 24 POM Ring (1)
- 25 Stainless Steel Filter (1)
- 26 POM Filter Seat (1)
- 27 ABS Aerator Nut (1)

## Installation Instructions



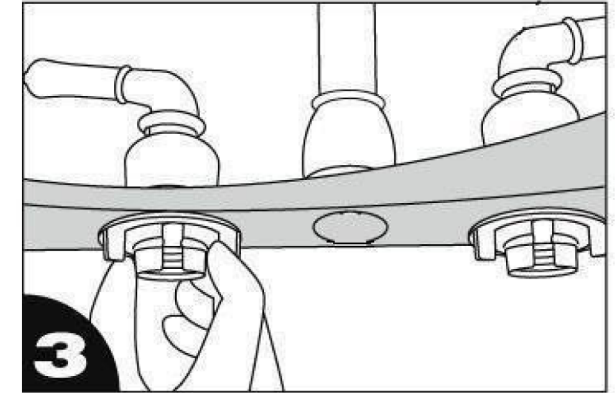
### Step 1

Shut off water supply. Plug sink drain with cloth to avoid losing small parts. Remove old faucet.



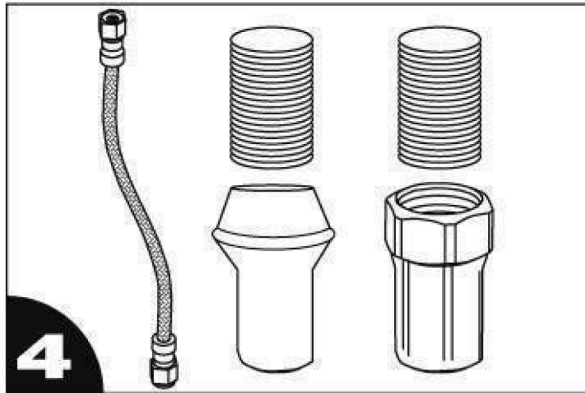
### Step 2

Place faucet onto sink with "H" (Hot) on the left and "C" (Cold) on the right.



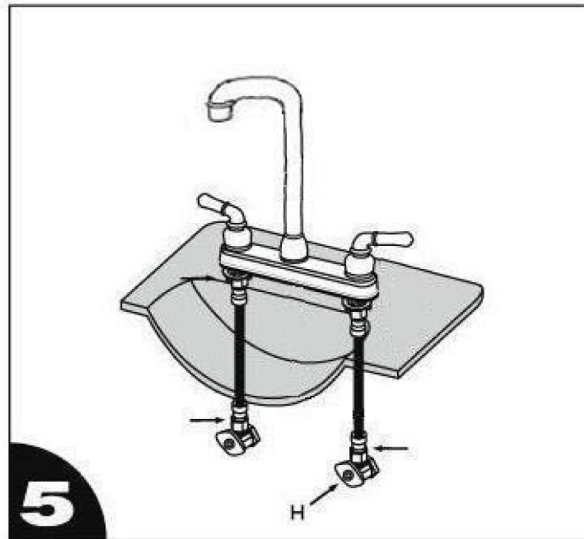
### Step 3

From under the sink, thread mounting nuts onto threaded shanks and tighten by hand.



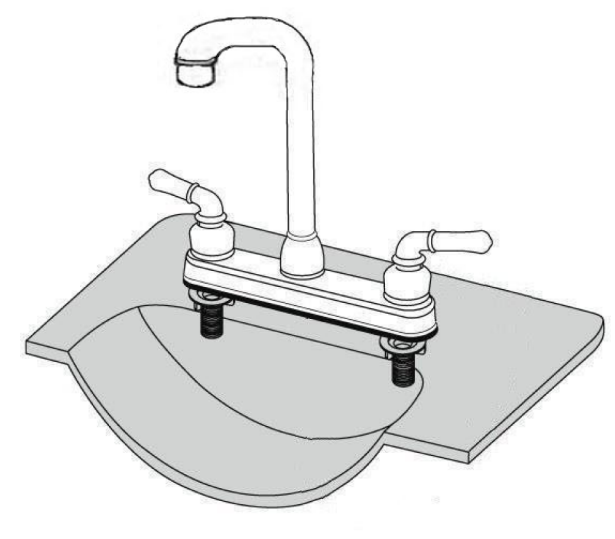
### Step 4

If your water supply tubes have formed ends, discard cone washers and friction rings. If they have straight ends, select proper friction rings. It is not necessary to use pipe joint compound when using cone washers and friction rings. If flexible vinyl supply tubes are used with built-in nuts, discard supply nut, cone washers and friction rings.



### Step 5

Turn on hot and cold water. Check for any leaks, especially at hook-ups to supply lines.



## Maintenance/Cleaning Instructions

**Cleaning Tips:** The finish on your faucet is designed to retain its beautiful sheen for years. To maintain the original look of the finish, a little care and caution should be used. We recommend the use of mild soap and water to clean the faucet. THE USE OF ABRASIVE CLEANERS MAY SCRATCH THE FINISH.