

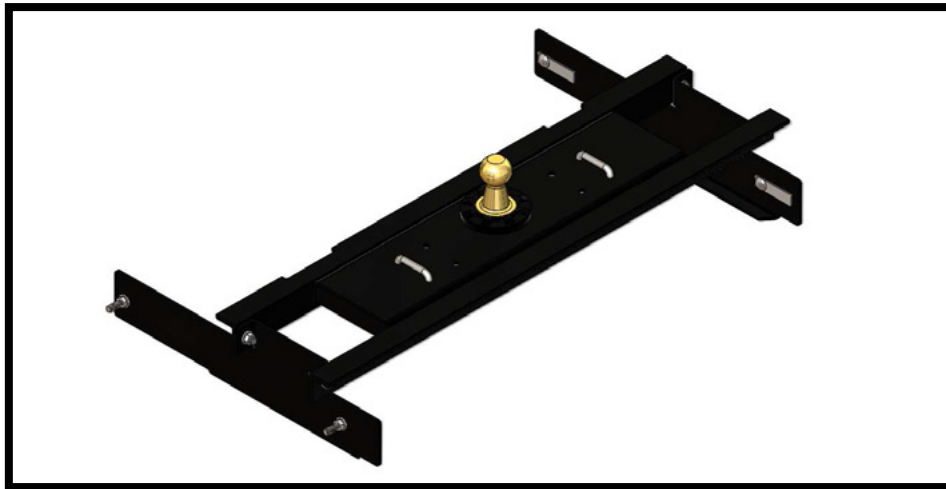


# DH2201

## 2004-14 Ford F-150 (Long, Short & Standard Box) Installation Instructions

Serial Number

**Please read these Installation Instructions in their entirety prior to installing or operating this equipment.**



**This hitch is rated to 30,000 lbs. Gross Towing Weight and 7,500 lbs. Tongue Weight**

**Bolt Torque Specifications**  
Torque in Foot-Pounds for Inch Bolts

Bolt Size	Grade 5	Grade 8
1/4"	10	14
5/16"	19	29
3/8"	33	47
7/16"	54	78
1/2"	78	119
5/8"	154	230
3/4"	257	380

**Bolt Torque Specifications**  
Torque in Foot-Pounds for Metric Bolts

Bolt Size	Grade 8.8	Grade 10.9
6MM	6	8
8MM	16	22
10MM	31	40
12MM	54	70
14MM	89	117
16MM	161	230
18MM	222	318

**! WARNING**

Refer to your vehicle's owner's manual for maximum towing capacity. **DO NOT** exceed vehicle, tongue or hitch weight ratings - failure to follow vehicle manufacturer's recommendations could result in damage to your vehicle, personal injury or death.

**! WARNING**

Failure to read and follow these instructions could result in separation of the trailer from the truck, causing property damage, loss of towed vehicle, personal injury or death.

DH2201  
2004-14 Ford F-150 (Long, Short & Standard Box)  
Installation Instructions

 **WARNINGS**

- Trailer brakes are required.
- Always insure there is sufficient clearance between the hitch ball in the stored position and the vehicle's rear differential. A DH9004 plug is available for use when the ball is not stored in the ball housing.
- Do not use any open flame under the truck bed to cut or weld. There is extreme danger of explosion or fire.
- Vehicle must be securely blocked and brakes set before beginning to work underneath the vehicle.
- Do not clamp hitch over any wiring or brake lines.
- Always make sure trailer is loaded slightly tongue heavy. Do not pull a trailer that is lighter on the tongue end.

### ***Maintenance/Care***

- Periodically clean any dirt/debris from the ball and ball housing and moderately lubricate them with white lithium grease or equivalent grease.

**Instruction Notes:** Some drilling and trimming is required.

Place all components that are removed on a flat, sturdy surface. All items will be reinstalled unless otherwise noted after the hitch is installed.

The dimensional variations between otherwise identical vehicles can be considerable. While this hitch was designed for easy installation, it may be necessary to modify the hitch slightly to compensate for vehicle manufacturer's tolerances.

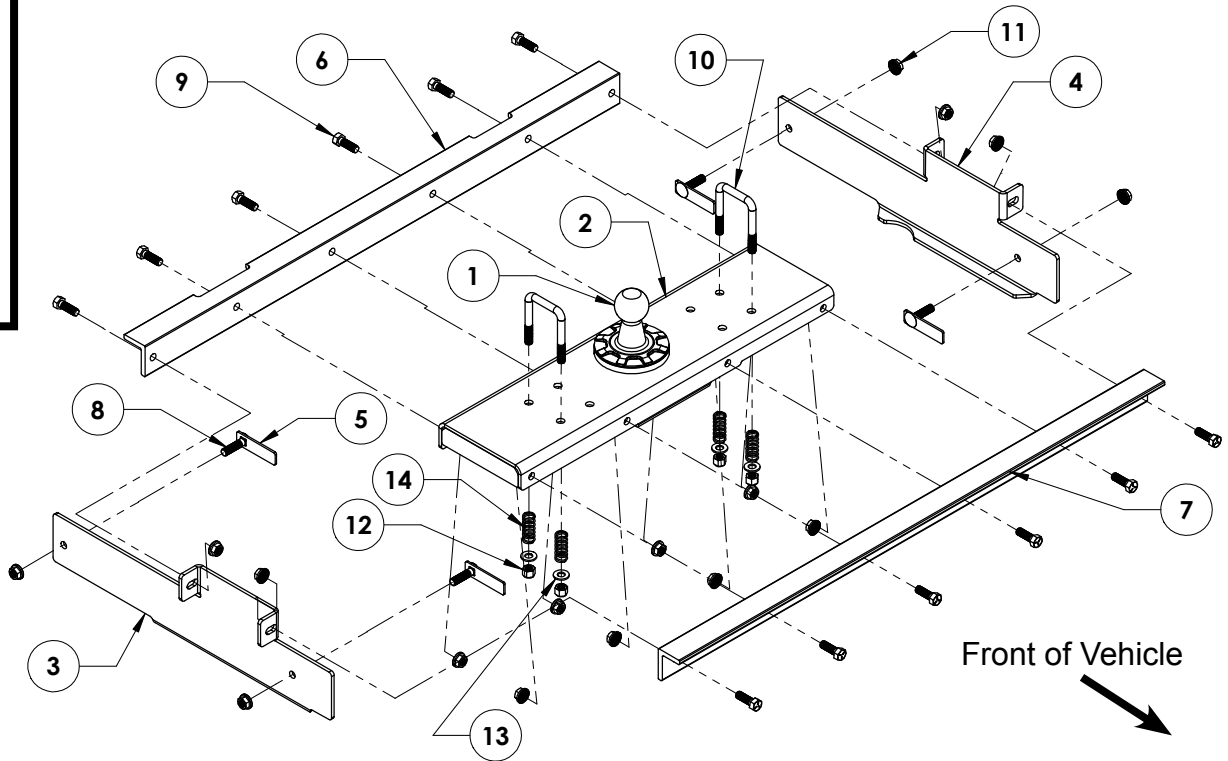
### ***NOTICE***

- When a bed liner is installed, compensation of the bed liner thickness must be accounted for when measuring the ball location in the box bed.
- When using power drills be aware of the dangers of torque and drill bit length.
- When using a reciprocating saw be aware of objects behind the cutting surface.
- Use a good quality paint to spray cut edges of frame to prevent rusting.
- Be sure to use Loctite® Red on all bolts before tightening. Tighten all bolts according to the torque chart provided.
- The installer must instruct the operator on proper ball installation and locking procedures.
- Dealer or installer be certain the user receives these instruction sheets.
- If the hitch is in an accident, it must be replaced. DO NOT use it again! An accident can cause unseen damage and using it again could result in more damage or serious injury. **DO NOT** use the hitch if it is damaged or missing parts.

DH2201  
2004-14 Ford F-150 (Long, Short & Standard Box)  
Installation Instructions

**Tools Required**

Torque Wrench  
Drill  
Tape Measure  
Loctite® RED  
5" Hole Saw  
17/32" Drill Bit  
3/4" Socket  
3/4" Wrench



Item No.	Part No.	Description	Qty.
1.....	62-3822 .....	Hitch Ball .....	1
2.....	62-3996 .....	DH2201 Center Section .....	1
3.....	101-8424 .....	PS Side Plate .....	1
4.....	101-8425 .....	DS Side Plate .....	1
5.....	101-8431 .....	Locking Plate, 1/2" Bolt x 3-5/8" .....	4
6.....	105-1574 .....	Rear Crossmember Angle .....	1
7.....	105-1575 .....	Front Crossmember Angle .....	1
8.....	201-0025 .....	1/2"-13 x 2" Carriage Bolt, Grade 5, ZP.....	4
9.....	201-0051 .....	1/2"-13 x 1-1/2" Hex Head Bolt, Grade 5, ZP .....	12
10.....	201-0275 .....	1/2"-13 x 3-3/4" x 2-1/2" U-Bolt, ZP .....	2
11.....	202-0072 .....	1/2"-13 Hex Flange Whiz Lock Nut, ZP .....	16
12.....	202-0094 .....	1/2"-13 Hex Nylon Lock Nut, ZP.....	4
13.....	203-0005 .....	1/2" Flat Washer, ZP.....	4
14.....	222-0091 .....	Compression Spring (.049" Dia x .60" x 2").....	4

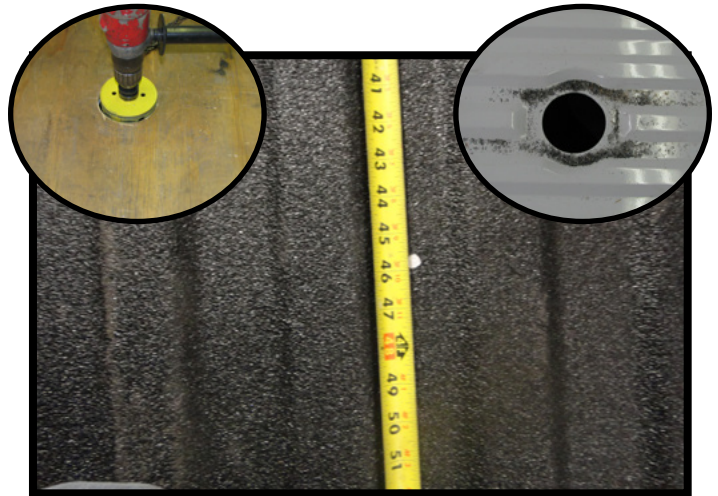
**Important:**

Use only genuine factory replacement parts on your hitch. Do **NOT** substitute homemade or non-typical parts. If a bolt is lost or in need of replacement, for your safety and the preservation of your hitch, be sure to use a replacement bolt of the same grade (In most cases it will be Grade 5, please reference the parts list above). Replacement parts may be ordered through your nearest Blue Ox® Dealer or Distributor. Failing to follow and/or altering these installation instructions in either installation or required equipment will void the manufacturer's warranty.

DH2201  
2004-14 Ford F-150 (Long, Short & Standard Box)  
Installation Instructions



1. Using the vehicles jack handle tool, remove the spare tire as per vehicles owners manual.



2. Measure and mark a hole at 45-3/4" from the end of the bed (not the tailgate) and centered between the wheel wells . Drill a 5" hole thru the bed. When a bed liner is installed, compensation of the bed liner thickness must be accounted for when measuring the ball location in the box bed.  
Note: Using a board while drilling decreases the chances of the bit wobbling out of position.



3. On the passenger side, slide the rear crossmember across the top of the frame towards the rear of the bed hole.



4. On the passenger side, slide the front crossmember across the top of the frame towards the front of the bed hole.  
Position the crossmembers approximately as shown (inset).



DH2201  
2004-14 Ford F-150 (Long, Short & Standard Box)  
Installation Instructions



5. Install the center section up thru the 5" hole in the bed and in between the crossmembers.



6. Secure in the center section to the crossmembers with the appropriate hardware. Do not fully tighten the fasteners.



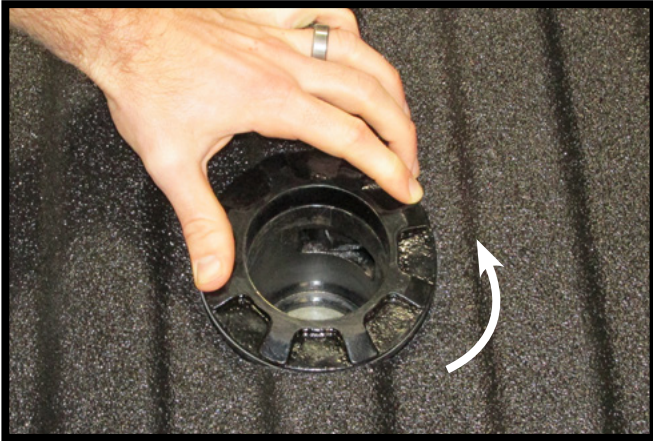
7. On both sides of the vehicle, bolt the side plates to the crossmembers using the appropriate hardware. Do not fully tighten hardware.



8. Install the fishwire into the frame holes and out the inner frame access hole. Place the locking plate and carriage bolt onto the fishwire and pull back thru the frame hole. Remove the fishwire and install the lock nut onto the bolt. Repeat for each frame hole.

Note: On older models the bump stop and clip nut must be removed for fishwire access.

DH2201  
2004-14 Ford F-150 (Long, Short & Standard Box)  
Installation Instructions



9. Check the rotation of the top collar at this time to insure the bed is not rubbing against it and it can rotate freely. If necessary drop the center section and remove any obstructions.
- Once rotation is checked, tighten all hardware to the supplied torque specs.



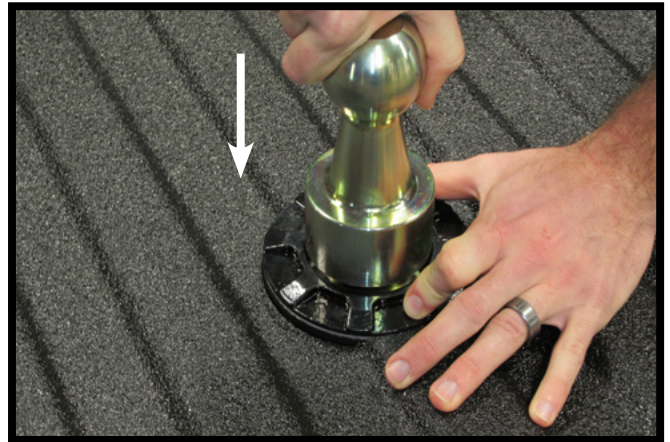
10. Using a 17/32" drill bit, drill the two (2) holes thru the bed that land in the bed valley. Do this on both sides.
- Insert the 1/2"-13 u-bolts thru the holes from the topside. Install a 1/2" flat washer, spring, another 1/2" flat washer and 1/2"-13 lock nut onto each u-bolt stud. Tighten until the washers are touching the spring without compressing it.

DH2201  
2004-14 Ford F-150 (Long, Short & Standard Box)  
Installation Instructions

### Installing the Hitch Ball



1. Rotate the locking collar to release the latch pawl.



2. Align the ball with the collar and drop the ball into the hitch. Release the locking collar.

### Removing the Hitch Ball



1. Rotate the locking collar to release the latch pawl. Pull straight up on the ball to remove from the hitch.

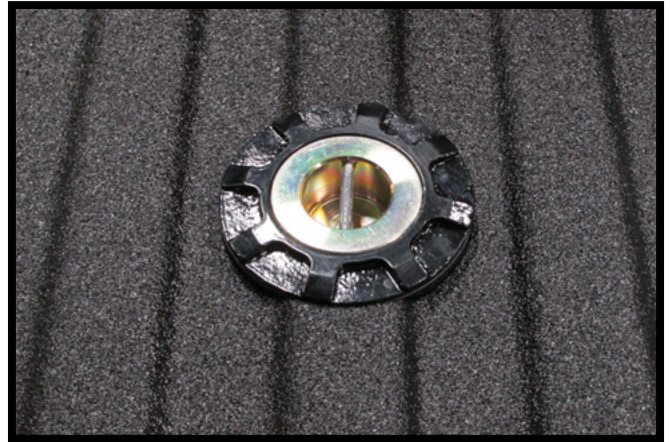


DH2201  
2004-14 Ford F-150 (Long, Short & Standard Box)  
Installation Instructions

### Storing the Hitch Ball



1. Rotate the locking collar to release the latch pawl. Align the ball with the collar and drop the ball into the hitch.



2. Release the locking collar.

### CUSTOMER SERVICE COMMITMENT

Blue Ox® is committed to providing you with exceptional customer care throughout your lifetime with our products. Our team is here to assist you with any questions you may have regarding the performance of your product. Simply call (402) 385-3051 and you can speak with our customer care team.

Additionally, please visit our website to see which rallies our Destination America team will be attending. For a nominal fee, our service technician will service your towing system to ensure it's in proper working condition. Also, as a commitment to our customers, should you visit our factory, you can stay at our full service Blue Ox® campground at no charge along with enjoying a factory tour.

Again, thank you for being our customer and for the confidence you have shown in the performance of our products. It is because of customers like you we enjoy the success we have today.

© 2015 Blue Ox  
One Mill Road, Industrial Park  
Pender, Nebraska 68047  
Phone: (402) 385-3051  
Fax: (402) 385-3360  
[www.blueox.com](http://www.blueox.com)