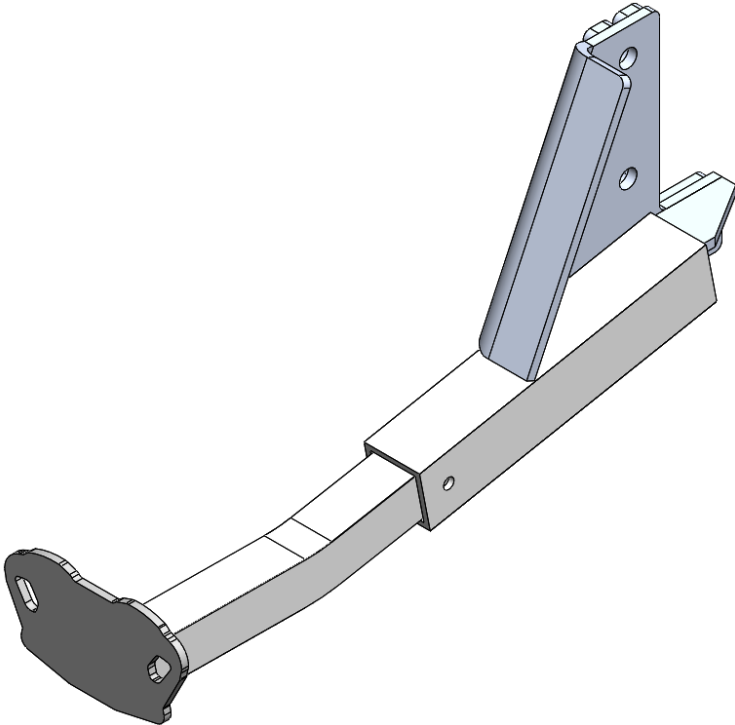


TORKLIFT **INTERNATIONAL**

OVER 35 YEARS OF INNOVATION, QUALITY, SAFETY.
IMPORTANT OWNER-OPERATOR INSTALLATION INSTRUCTIONS

Part F3007A



Version 3 BY: JL (8/7/2015)

TECH SUPPORT (800) 246-8132

**AFTER INSTALL, PLEASE GIVE
THIS BOOKLET TO YOUR CUSTOMER**

Warnings

Truck Bed and Camper Protection

Torklift **does not** recommend installing your camper on top of a plastic bed liner (or other compressible material such as foam). These materials can act as a spring, causing increased vertical truck camper movement independent of the vehicle. Plastic bed liners can slide on the truck bed surface, and the truck camper can slide on top of the bed liner. Using a plastic bed liner or similar compressible material will void your warranty and may additionally cause truck bed and/or camper damage.

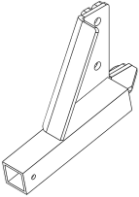


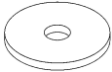
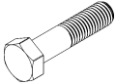



Minor movement or settling can occur in some incidental harsh driving conditions (on or off-road). A rubber bed mat is recommended to protect the truck bed and camper, but is not a requirement to maintain the Torklift legendary lifetime warranty.

Suspension

To significantly reduce body roll, sag and sway Torklift strongly recommends the StableLoad. Torklift International StableLoads improve safety, handling, and to help level your truck. More information can be found at (www.Torklift.com/stableload).

If your truck is additionally equipped with suspension air bags Torklift cautions against over pressurization as this may lead to unsafe vehicle handling characteristics. We have found that airbags used in conjunction with StableLoads have allowed operators to lower air bag pressure by 50% or more. Only pressurize suspension air bags enough to level the truck.

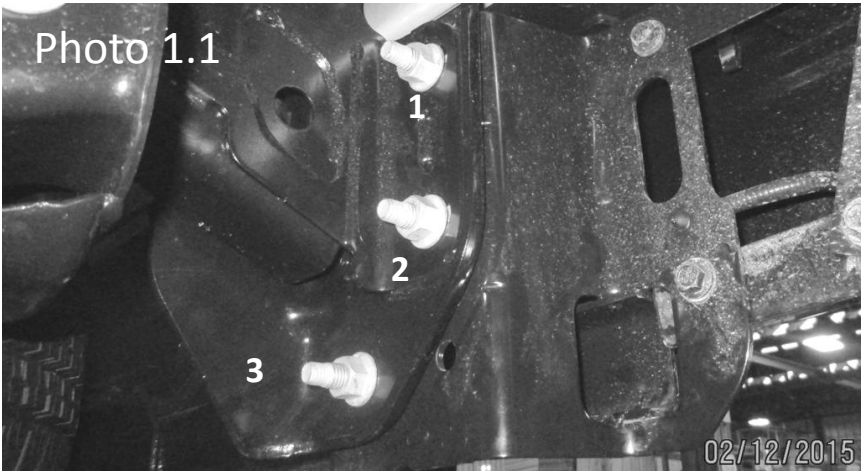
Parts Inventory

Item Image	Item Description	Quantity
	Tie Down Receiver	2
	Spacer Plate	2
	Bent Tie Down Insert	2
	1/2" x 2.25"OD Fender Washer	2
	M14-2.0 x 60mm Grade 10.9 Hex Bolt	6
	1/2" USS Flat Washer	12
	9/16 Lock Washer	6
	M14-2.0 Grade 10.9 Hex Nut	6
	Tie Down Finishing Kit	1

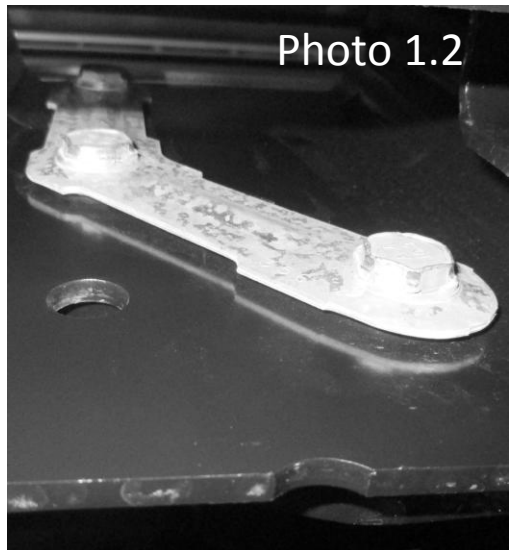
Installation Notes: It will be necessary to remove the two bolt plates holding the factory hitch and bumper to the vehicle frame. It is important to only install one tie down receiver at a time, leaving the factory bolt plate tight on the other side of the vehicle. This will hold the bumper and hitch in place.

Step 1:

Begin on the passenger side of the vehicle by removing the three factory 22mm Hex Nuts as shown. (Photo 1.1)



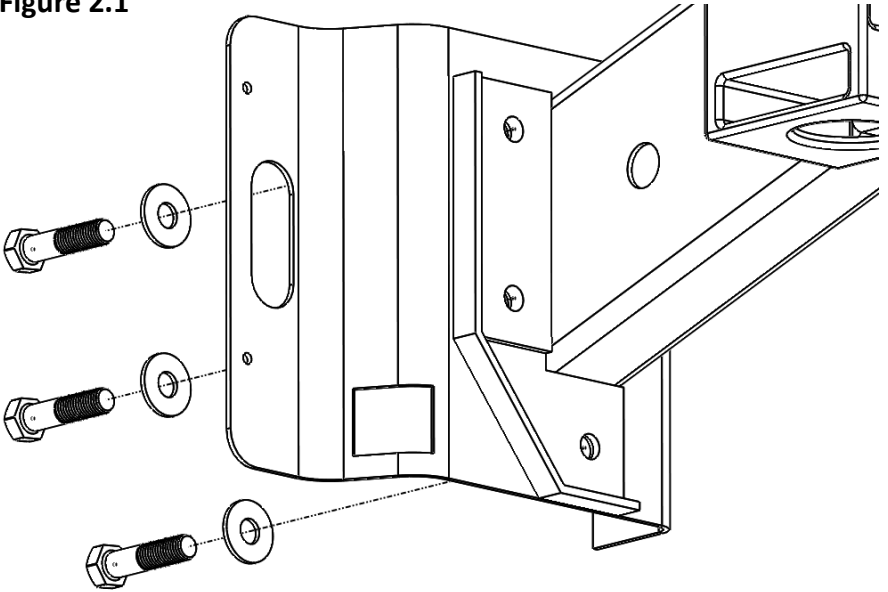
Once the nuts are removed, it is necessary to either pry or lightly and evenly hammer out the factory bolt plate. The bolt plate may be pried using a screw driver on the bolt head side, or lightly tapped through from the threaded side with a hammer. (Photo 1.2)



Step 2:

Install one **M14 x 60mm Hex Bolt** with one **1/2" Flat Washer** through each of the three holes in the hitch and frame. The threads should face the front of the truck exactly like the factory bolt plate removed in step one. (Figure 2.1)

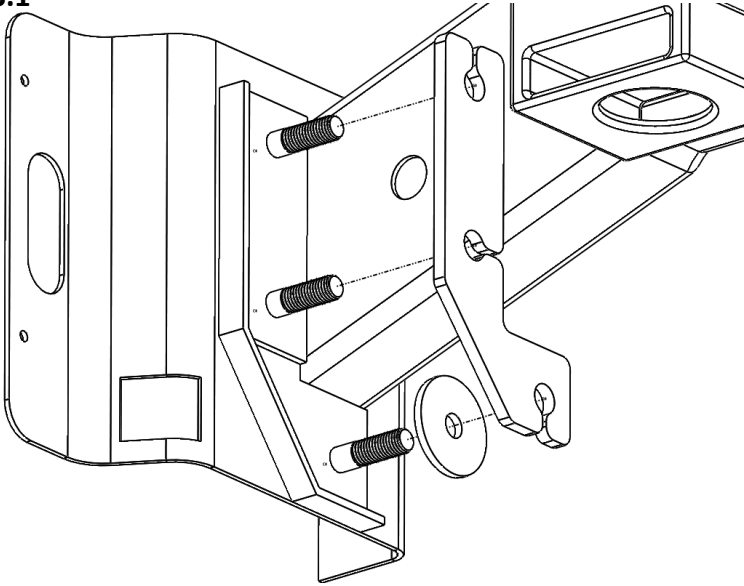
Figure 2.1



Step 3:

Install one **1/2" Fender Washer** onto the protruding threads of the lower most bolt. Next, install one of the supplied **Spacer Plates** over the top of the fender washer and onto the protruding threads of all three **M14 Hex Bolts**. (Figure 3.1)

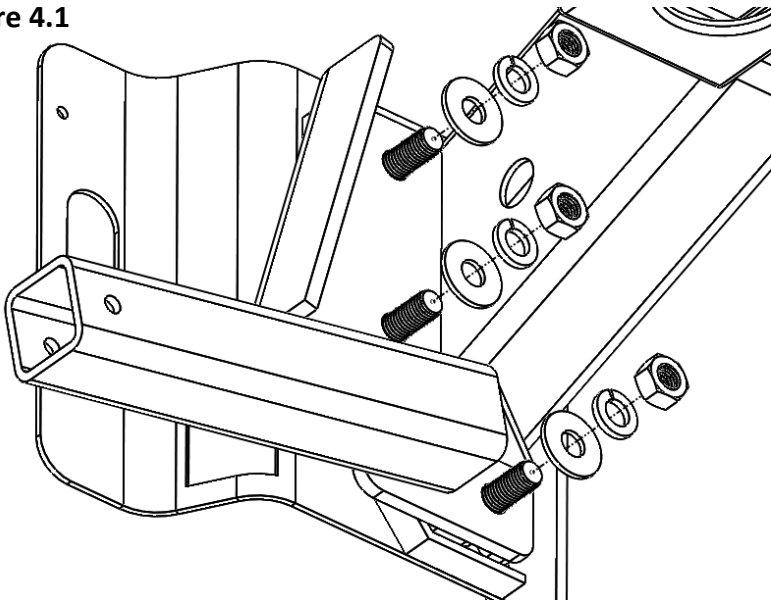
Figure 3.1



Step 4:

Install the passenger side **Tie Down Receiver** over the **Spacer Plate** and onto the protruding threads of the three **M14 Hex Bolts**. Secure the receiver with one **1/2 Flat Washer**, one **9/16" Lock Washer**, and one **M14 Hex Nut** for each of the three bolts. Leave hand tight at this time. (Figure 4.1)

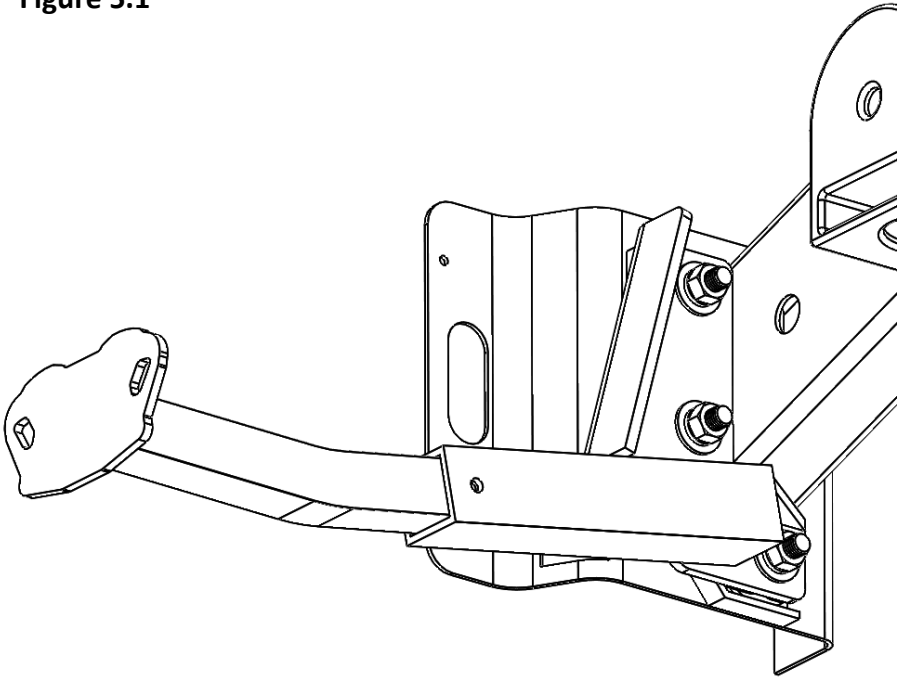
Figure 4.1



Step 5:

Evenly tighten the three **M14 Hex Nuts** and torque each to 120 ft-lbs (162Nm). Install the **bent tie down insert** and secure with a **Tie Down Lock**. (Figure 5.1)

Figure 5.1



Step 6:

Repeat Steps 1-5 for the driver side tie down installation.

TIEDOWN INSERT INSTALLATION INSTRUCTIONS

On one end of each of your tie down inserts is a triangular plate referred to by Torklift as a bullet plate. In most cases, the tie down inserts should be installed with the shorter side of the bullet plate facing away from each other, i.e.. The shorter side of the front insert should point to the front of the truck and the shorter side of the rear insert should point towards the rear of the truck.

DRIVERS SIDE FRONT

DRIVERS SIDE REAR



Once installed, attach the TorkLift directional stickers to the face of the bullet plate on the insert as a reminder.

IMPORTANT NOTE: *Your tie down inserts are designed to have clearance inside of the receiver. This is to account for road debris, as well as aid in installation and removal. Some rattle may be expected if the inserts are left installed while not under load from the camper.*

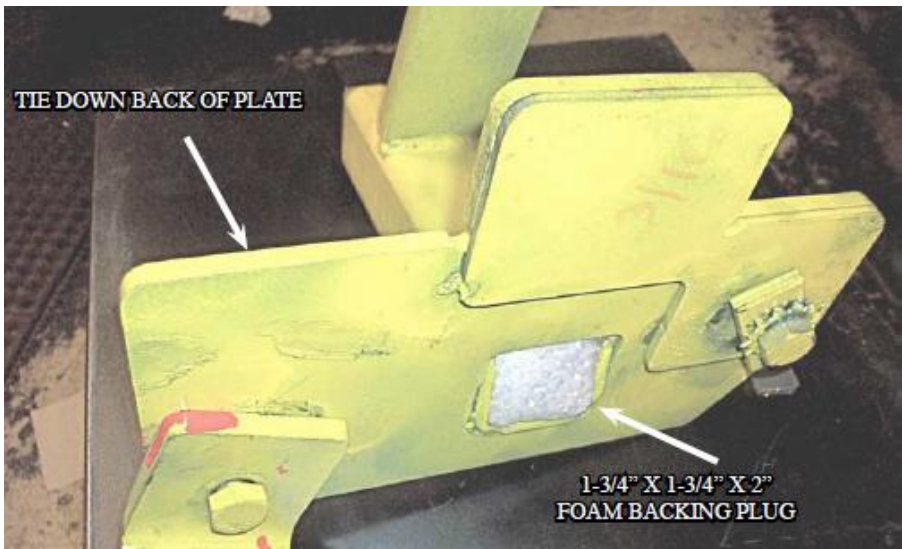
TD Finishing Kit

1-3/4" x 1-3/4" X 2" Foam Backing Plug	2
2" x 2" x 1-1/2" Receiver Cap	2

Step 1A:

Insert one 1-3/4" x 1-3/4" x 2" Foam Backing Plug into the back of the Aluminum Tie Down Receiver opening. If the back of the receiver is inaccessible, insert the Foam Backing Plug in the front of the Aluminum Tie Down Receiver and press it back with the Tie Down Insert see Photo 1.1

Photo 1.1



Step 2A:

Install one 2" x 2" x 1-1/2 Receiver Cap over the end of the Aluminum Tie Down Receiver. (See Photo 2.1) If the 2" x 2" x 1-1/2" Receiver Cap does not fit over the receiver, you will need to notch it out using a box knife or similar. (See Photo 2.2)

PHOTO 2.1



PHOTO 2.2



Torklift International Limited Lifetime Warranty Information

322 Railroad Ave North, Kent, WA 98032

Torklift will require proof of purchase to register, with pictures of any defective product before issuing a replacement. Torklift will not register any product without proof of purchase, which can be faxed, scanned, emailed, or mailed to the information provided below. Torklift warrants its hitches, custom hitch receivers, frame mounted tie downs, turnbuckles, and accessories (excluding wire harnesses which carry a 90 day warranty) from date of purchase against defects in material and workmanship under normal use and service for the ownership life of the original consumer purchaser. All plastic, rubber, and/ or electrical components maintain a warranty of up to one year from the date of the purchase. **ALL COMMERCIAL APPLICATIONS ARE WARRANTED FOR A PERIOD OF 90 DAYS FROM THE DATE OF INSTALLATION/SERVICE.** Torklift will replace **FREE OF CHARGE** any part which proves defective in material or workmanship when presented to Torklift, **TRANSPORTATION CHARGES PREPAID** by purchaser, at the address above. **THIS WARRANTY IS LIMITED TO DEFECTIVE PARTS REPLACEMENT ONLY. LABOR CHARGES AND/OR DAMAGE INCURRED IN INSTALLATION OR REPLACEMENT, AS WELL AS INCIDENTAL AND CONSEQUENTIAL DAMAGES CONNECTED THEREWITH ARE EXCLUDED.** This warranty does not include the finish or paint on our products. Rusting, cracking or peeling of the finish is also excluded. Some states do not allow the exclusion or limitation of incidental or consequential damages, so the above limitation or exclusion may not apply to you. Any damage to Torklift products as a result of misuse, abuse, neglect, accident, improper installation or any use violative of instructions furnished by Torklift or **WHEN USED IN ANY COMMERCIAL APPLICATION WILL VOID THE WARRANTY.** This warranty gives you specific legal rights, and you may also have rights which vary from state to state. With warranty service, you may be able to go to a small claims court, a state court or a federal district court.



TORKLIFT™

INTERNATIONAL

322 Railroad Ave North, Kent, WA 98032
Phone (800) 246-8132 Fax (253) 854-8003
Or visit our website: www.TorkLift.com

Dear Valued Customer,

Thank you for making TorkLift your choice for truck, camper packages and accessories for your vehicle. By choosing TorkLift products, you have chosen a company that has been serving the RV industry for nearly 40 years and whose name has become synonymous with strength, quality and advanced design and installation.

Please take a few moments of your time to complete the Product Registration Warranty Card on the next page. When registering your newly purchased TorkLift products, you can be assured that your contact information is secure and that you and your product are getting the attention and respect that you deserve.

Thank you again for choosing TorkLift quality products.

Register for your lifetime warranty and receive a free Torklift International gift.

To Fax: Send copies of the questionnaire, warranty card and receipt to
253-854-8003

To E-mail: Send copies of the questionnaire, warranty card and receipt to
warranty@torklift.com

To Mail: Send to Torklift International 322 Railroad Ave North, Kent, WA 98032



OFFICIAL WARRANTY REGISTRATION CARD

PLEASE FILL OUT THIS FORM COMPLETELY AND RETURN TO TORKLIFT WITHIN

30 DAYS OF PURCHASE ACCOMPANIED BY A COPY OF YOUR ORIGINAL RECEIPT

1. PART(S) PURCHASED

TODAY'S DATE: _____

PART #: _____ PART #: _____

PART #: _____ PART #: _____

PART #: _____ PART #: _____

2. PURCHASER INFORMATION

NAME: _____

ADDRESS: _____

CITY: _____ STATE: _____ ZIP / POSTAL CODE: _____

PHONE: (____) _____ - _____ EMAIL: _____

3. TRUCK INFORMATION

YEAR: _____ MAKE: _____

MODEL: _____ BED LENGTH: _____

4. CAMPER INFORMATION

YEAR: _____ MAKE: _____ MODEL: _____

5. DEALER INFORMATION

PURCHASED FROM: _____

ADDRESS: _____

CITY: _____ STATE: _____ ZIP / POSTAL: _____

INSTALLED BY: _____ OWNER ABOVE DEALER ANOTHER DEALER

IF ANOTHER DEALER, WHO: _____