



LIPPERT  
COMPONENTS®

## Warnings

**Failure to act in accordance with the following may result in death or personal injury.**

The JT Strong Arm Stabilizer System is intended to eliminate chassis movement in travel trailers and fifth wheels. Its function should not be used for any other purpose. To use the system for any reason other than what it is designed for may result in death, serious injury and/or damage to the coach.

Be sure to park the unit on solid, level ground. Clear all jack landing locations of debris and obstructions. Locations should also be free of depressions. When parking the unit on extremely soft surfaces, utilize load distribution pads under each jack. People and pets should be clear of coach while operating leveling system. Never lift the unit completely off the ground. Lifting the unit so the wheels are not touching the ground will create an unstable and unsafe condition.

## Description

The JT Strong Arm Stabilizer System is a locking bracket system used to stabilize and eliminate chassis movement in travel trailers and fifth wheels using a triangulation system attached to the coach's landing gear or jacks and frame.

## **Prior to Installation**

### Tools Needed

1. Tape measure
2. Felt-tip black marker or equivalent
3. Hammer
4. Center punch
5. Power drill
6. 1/8" drill bit (for pilot holes)
7. 5/16" drill bit
8. 3/8" drill bit
9. Counter-sink bit (for deburring)
10. 9/16" deep socket and ratchet
11. 9/16" box end wrench
12. 5/8" box end wrench
13. 1/16" box end wrench
14. Locking pliers
15. 3" -4" C-clamp
16. White grease
17. Safety glasses
18. Face shield

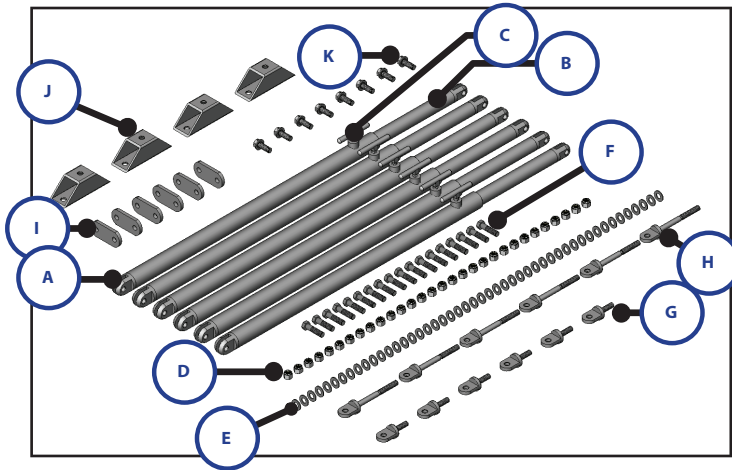
# JT Strong Arm Travel Trailer Trailer Aftermarket Installation Manual





# JT Strong Arm Travel Trailer Aftermarket Installation Manual

## P/N 191025 - Jack Stabilizer, Travel Trailer



Callout	Description	Qty
A	Stabilizer Outer 1 1/4" O.D.	6
B	Stabilizer Inner 1" O.D.	6
C	Bolt - 3/8 - 16 x 3/4 T-Bolt	6
D	Nut - 3/8 - 16; Nylon Insert Lock Nut Zinc	30
E	Washer - 3/8; SAE Flat Washer Zinc	48
F	Bolt - 3/8 - 16 x 1 1/2; Hex Cap Screw Gr5 Zinc	18
G	Bolt - 3/8-16 X 1-1/4 Swing Bolt	6
H	Bolt - 3/8-16 X 4 Swing Bolt	6
I	2.750 X 1.250 Stiffening Pad	6
J	Spacer Mount - 4.500 X 1.500 X 1.500	4
K	Bolt - 3/8-16 X 1; Hex Washer Head Thrd Cutting Slotted Zn	8

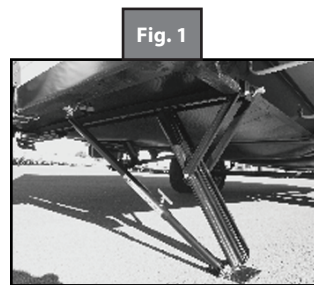
## Installation

1. Determine what style of jacks are on the chassis by comparing the pictures with the rear jacks (Fig. 1, Fig. 2, and Fig. 3).

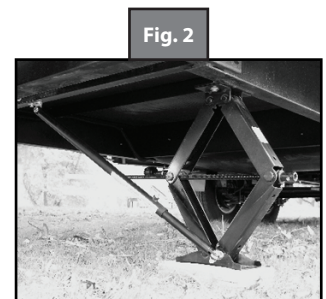
If the chassis has electric stabilizer jacks, refer to page 5.

If the chassis has hydraulic stabilizer jacks, refer to page 6.

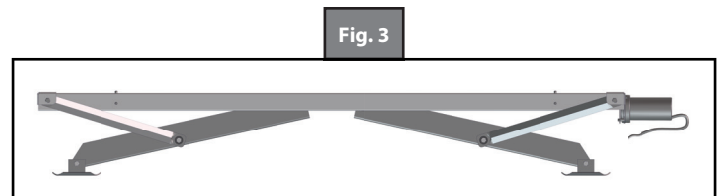
**NOTE:** For 2006 or later telescoping jacks, replace existing 3/8" jack pad bolt with 3/8-16 X 4 swing-bolt. Use 3/8"-16 nut (P/N 191019) to secure. Insert a 3/8" x 1 1/4" swing-bolt with the tab pointing to the rear of the chassis. Secure with a 3/8" washer and 3/8" locking nut. Tighten as described in Step 11. Prepare "I" bolts and stabilizer tubes as described in Step 8, except the inner tube should be set at 1" instead of 5". After fully retracting rear telescoping jacks, attach the clevis end of the stabilizer inner tube to the swing-bolt tab on the rear side of the jack using a 3/8"-16 x 1 1/2" bolt with a 3/8" washer on the top and bottom of the tab and a 3/8" locking nut. Tighten nut until tight. Repeat this step on the opposite side.



Single-Arm "C" Type Telescoping Jack



Scissor Jack



Rear Electric Stabilizer Jack

2. Locate a cross-member rearward of the rear jacks at a minimum of 4" to a maximum of 18" for jacks mounted at an angle. For jacks mounted square with the chassis frame, use a minimum of 6".

3. Under front half of chassis, locate a cross-member or center compartment with a steel floor from 6"-18" from front of front jacks. If unable to locate a suitable mounting location at either front or rear of chassis, please call Customer Service toll free at 1-574-537-8900 8 AM to 5 PM EST.



## JT Strong Arm Travel Trailer Aftermarket Installation Manual

4. Starting with one of the front scissor jacks, remove the existing lower, inside pivot bolt; replacing with a  $\frac{3}{8}$ " x 4" swing-bolt. Install swing-bolt from front-to-back with the shoulder of the swing-bolt to the front side of jack. Place  $\frac{3}{8}$ " washer and  $\frac{3}{8}$ "-16 "Nylock" locking nut on threaded end of swing-bolt. Tighten enough so that the swing-bolt will only pivot by using a screwdriver for leverage. Ensure swing-bolt tab is positioned horizontally.

5. Remove the existing lower, outside pivot bolt; replacing with 5" swing-bolt. Install swing bolt from rear-to-front with shoulder of swing-bolt to rear of the jack (Fig. 4).

6. Place a  $\frac{3}{8}$ " washer and  $\frac{3}{8}$ " locking nut on threaded end of swing-bolt and tighten as explained in Step 4. Position swing-bolt tab vertically as shown.

7. Repeat Steps 4-6 for opposite front jack.

8. Apply white grease to the threads of two "T"-bolts and partially thread them into the top holes of the outer stabilizer tubes.

9. Remove inner stabilizer tube from assembly and discard the plastic shipping bag. Reassemble stabilizer tubes with the inner tube sticking out past the end of the outer tube by 1" (Fig. 5).

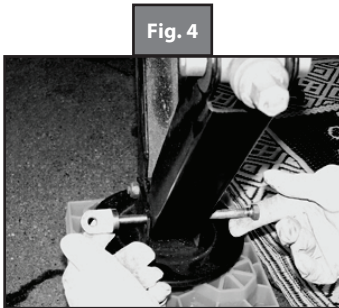


Fig. 4

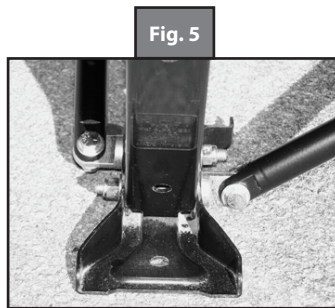


Fig. 5

10. Tighten "T"-bolts until snug. To ensure proper installation, make sure the warning labels are facing outward and right-side up. The "T"-bolts should also be on the top side of the stabilizers. Repeat Steps 9 and 10 for opposite side.

11. After fully retracting front scissor jacks, attach the clevis end of the stabilizer inner tube to the swing-bolt tab on the front side of the jack using a  $\frac{3}{8}$ "-16 x 1  $\frac{1}{2}$ " bolt with a  $\frac{3}{8}$ " washer on the top and bottom of the tab and a  $\frac{3}{8}$ " locking nut. Tighten nut until tight. Repeat this step on the opposite side.

12. Insert a  $\frac{3}{8}$ " x 1  $\frac{1}{4}$ " swing-bolt into a spacer mount and secure with a  $\frac{3}{8}$ " washer and  $\frac{3}{8}$ " locking nut. Attach assembled spacer mount to clevis end of the stabilizer outer tube using a  $\frac{3}{8}$ "-16 x 1  $\frac{1}{2}$ " bolt and a  $\frac{3}{8}$ " washer on both sides of the clevis. Tighten a  $\frac{3}{8}$ " locking nut enough to allow the stabilizer to swivel by hand with some resistance. Repeat this step for the opposite side (Fig. 6).

Fig. 6



Fig. 7



13. Swing stabilizer toward the center of the chassis and up to the cross-member identified in Step 3. Ensure that the front of the spacer mount is parallel to front of cross-member and the mounting holes are centered front-to-back on the cross-member. With the spacer mount held against the cross-member, mark the mounting hole locations with a marker. Center punch each location. Drill a  $\frac{1}{8}$ " pilot hole at each mounting hole location. Drill out one of the mounting holes to  $\frac{5}{16}$ " and tap either using a  $\frac{3}{8}$ "-16 tap or a  $\frac{3}{8}$ "-16 x 1" self-tapping bolt. Lubricate as needed. Remove tap or bolt and secure spacer mount with a  $\frac{3}{8}$ "-16 x 1" self-tapping bolt, taking care to keep the remaining pilot hole centered in the mounting hole of the spacer mount. Tighten bolt securely. Drill remaining pilot hole to  $\frac{5}{16}$ " and insert a  $\frac{3}{8}$ "-16 x 1" self-tapping bolt and tighten. Repeat this step for opposite side (Fig. 7).

**NOTE:** For chassis that are constructed with "I" or "H" beam main rails (front-to-back) and are uninsulated, refer to Step 14. For chassis that are constructed with "I" or "H" beam main rails or tubular frames and/or insulated, refer to Step 15.

14. Measure from the rear side of the front scissor jack 30" and place a mark on the bottom of the main rails. Measure the bottom flange of the main rails and divide by 4 for center of mounting hole. Center punch at the intersection of the lines and drill an  $\frac{1}{8}$ " pilot hole. Drill out the pilot hole to  $\frac{3}{8}$ " and deburr. Secure a stiffening pad to bottom of the main rail flange using a  $\frac{3}{8}$ " x 1  $\frac{1}{4}$ " swing-bolt, a  $\frac{3}{8}$ " washer, and a  $\frac{3}{8}$ " locking nut. The edge of the stiffening pad should be parallel to the edge of the main rail flange. Drill remaining mounting hole and secure with a  $\frac{3}{8}$ "-16 x 1  $\frac{1}{2}$ " bolt,  $\frac{3}{8}$ " washer, and  $\frac{3}{8}$ " locking nut (Fig. 8). Repeat this step for opposite side.



## JT Strong Arm Travel Trailer Aftermarket Installation Manual

15. Measure from the rear side of the front scissor jack 27 3/4" and place a mark on the bottom of the main rails. Assemble a spacer mount as in Step 12. Using the spacer mount as a template, mark the mounting holes by aligning one short edge with the 27 3/4" mark. Ensure the spacer mount is parallel to the outside of the main rail flange. Center punch and drill an 1/8" pilot holes at each mounting hole location. Drill out the hole closest to the front jacks to 5/16" and tap using either a 3/8"-16 tap or 3/8"-16 x 1" self-tapping bolt. Lubricate as needed. Secure spacer mount to bottom of main rail flange with a 3/8"-16 x 1" self-tapping bolt, taking care to keep the remaining pilot hole centered in the mounting of the spacer mount. Tighten bolt securely. Drill the remaining pilot hole out to 5/16" and insert a 3/8"-16 x 1" self-tapping bolt and tighten (Fig. 9). Repeat this step for opposite side.

Fig. 8

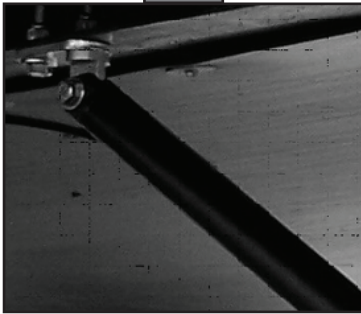


Fig. 9



16. Prepare "T" bolts as described in Step 8. Remove inner stabilizer tube from assembly and discard plastic shipping bag. Reassemble stabilizer tubes with the inner tube sticking out past the end of the outer tube by 5". Tighten "T" bolts until snug. To ensure proper installation, make sure the warning labels are facing outward and right-side up. The "T"-bolts should also be on the top side of the stabilizers. Attach the clevis end of the stabilizer inner tube to the swing-bolt tab on the rear side of the jack using a 3/8"-16 x 1 1/2" bolt with a 3/8" washer on the top and bottom of the tab and a 3/8" locking nut. Tighten nut until tight. Repeat this step on the opposite side.

17. Starting with one of the rear scissor jacks, remove the existing lower, outside pivot bolt; replacing with a 3/8" x 4" swing-bolt. Install swing-bolt from back-to-front with the shoulder of the swing-bolt to the rear side of jack. Place 3/8" washer and 3/8"-16 locking nut on threaded end of swing-bolt. Tighten enough so that the swing-bolt will only pivot by using a screwdriver for leverage. Ensure swing-bolt tab is positioned horizontally.

**NOTE:** If scissor jacks are less than 2" wide, washers will be necessary on the swing bolt because the threads may not be long enough.

18. Prepare "T" bolts and stabilizer tubes as described in Steps 8-10. Repeat for opposite side.

19. After fully retracting rear scissor jacks, attach the clevis end of the stabilizer inner tube to the swing-bolt tab on the rear side of the jack using a 3/8"-16 x 1 1/2" bolt with a 3/8" washer on the top and bottom of the tab and a 3/8" locking nut. Tighten nut until tight (Fig. 10). Repeat this step on the opposite side.

**NOTE:** For chassis that are constructed with "C" channel rear cross-members and uninsulated, refer to Step 20. For chassis that are constructed with "C" channel rear cross-members or tubular frames and/or insulated, refer to Step 21.

20. Attach a 3/8" x 1 1/4" swing-bolt to the clevis end of the stabilizer outer tube with a 3/8"-16 locking nut and 3/8" washers. Tighten nut enough to allow the swing-bolt to point upwards. Rotate stabilizer tube toward center of chassis and up to cross-member identified in Step 2. Mark where center of swing-bolt meets the center of the cross-member front-to-back on the bottom of the cross-member. Align a stiffening pad with the outer hole centered on the mark for the center of the swing-bolt. Clamp the stiffening pad to the cross-member with a pair of locking pliers and drill mounting holes with a 3/8" bit. Secure stiffening pad to the cross-member with a 3/8" x 1 1/4" bolt, 3/8"-16 locking nut, and 3/8" washer in the inside mounting hole. After removing the locking pliers, attach swing-bolt to remaining mounting hole with a 3/8" locking nut and washer (Fig. 11). Repeat step for opposite side.

Fig. 10

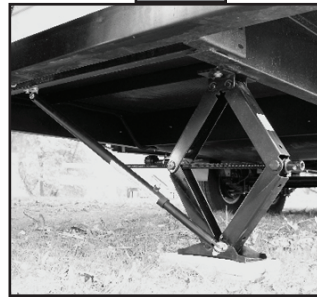


Fig. 11



21. Prepare spacer mount as described in Step 12. Rotate stabilizer tubes toward center of chassis and upward to cross-member identified in Step 2. Using the spacer mount as a template, mark the mounting holes by aligning one short edge with the center of the cross-member. Ensure the spacer mount is parallel to the edge of the rear cross-member. Center punch and drill an 1/8" pilot hole at each mounting hole location. Drill out the hole closest to the rear jacks to 5/16" and tap using either a 3/8"-16 tap or 3/8"-16 x 1" self-tapping bolt. Lubricate as needed. Secure spacer mount to bottom of rear cross-member with a 3/8"-16 x 1" self-tapping bolt, taking care to keep the remaining pilot hole centered in the mounting of the spacer mount. Tighten bolt securely. Drill the remaining pilot hole out to 5/16" and insert a 3/8"-16 x 1" self-tapping bolt and tighten. Repeat this step for opposite side.

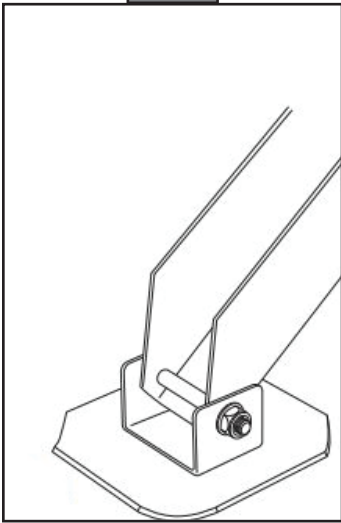
## P/N 314597 - Electric Stabilizer Jack Pad Adapter kit (4/pkg).

This optional kit is used to attach stabilizers to LCI Electric Stabilizer Jack foot pads. One plate goes on each side of the jack pad to allow electric Jack to fully retract.

JT Strong Arm Travel Trailer

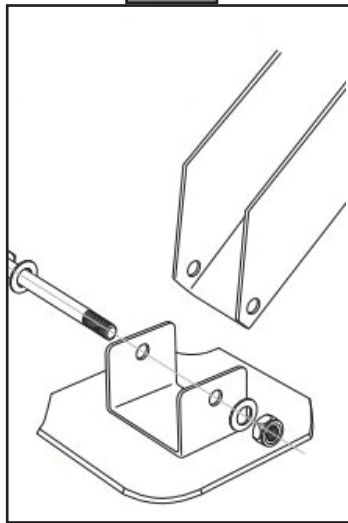
# Aftermarket Installation Manual

Fig. 12



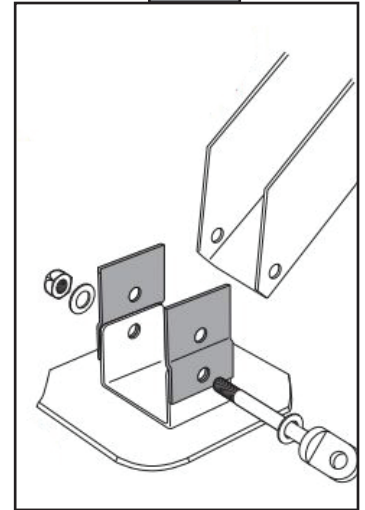
1. Existing foot pad (Fig. 12)

Fig. 13



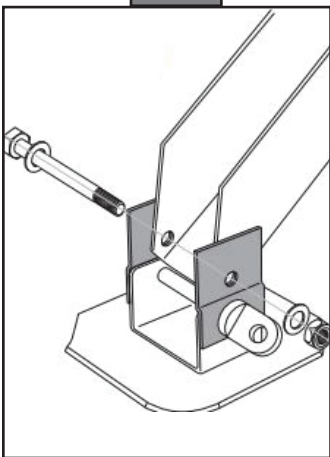
2. Remove the bolt that holds the foot pad onto the jack (Fig. 13).

Fig. 14



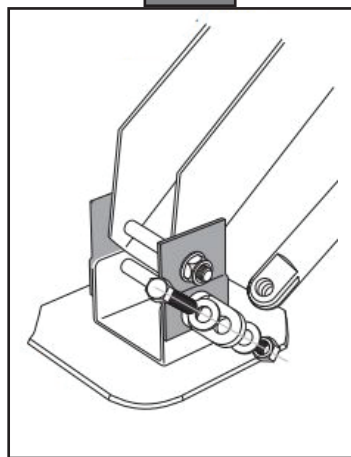
3. Align adapter plates to holes in foot pad. Place the smaller half down and on the outside of brackets (Fig. 14).

Fig. 15



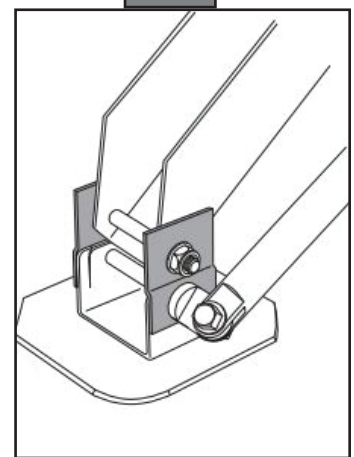
4. Loosely attach 4" swing bolt and adapter plates to foot pad. Adapter plate holes may need to be enlarged using either a 3/8" or 25/64" drill bit (Fig. 15).

Fig. 16



5. Attach the removed bolt to the top hole of the adapter plate through the jack arm (Fig. 16). Tighten all bolts.

Fig. 17



6. Attach JT Strong Arm stabilizer to the swing bolt and tighten (Fig. 17).



LIPPERT  
COMPONENTS®

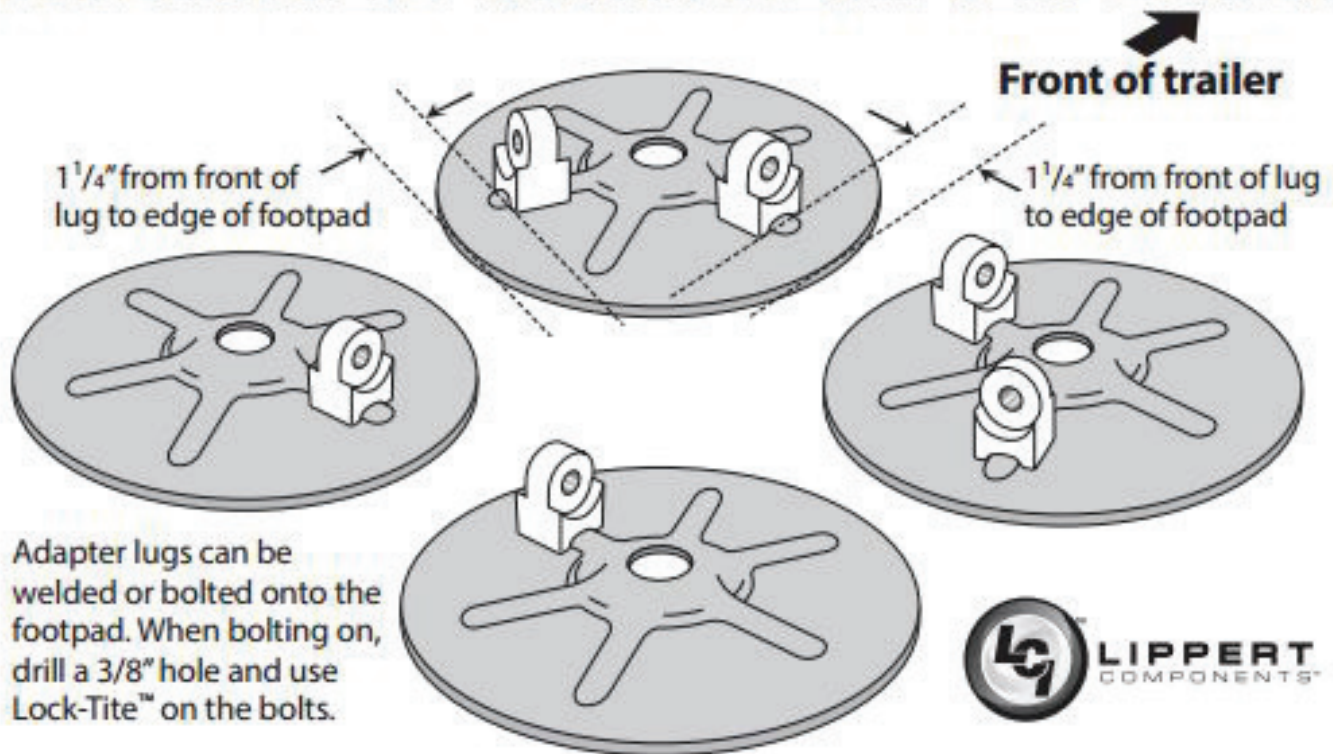
JT Strong Arm Travel Trailer

## Aftermarket Installation Manual

### P/N 314592 - Hydraulic Jack Adapter Lugs (2/pkg)

This optional kit is to be used when installing JT Strong Arm kits to units with hydraulic jacks.

# JT Strong Arm WELDING POSITIONS FOR HYDRAULIC JACK ADAPTER LUGS.



For more information on all of our RV enhancement products, visit our web site, [lippertcomponents.com](http://lippertcomponents.com)