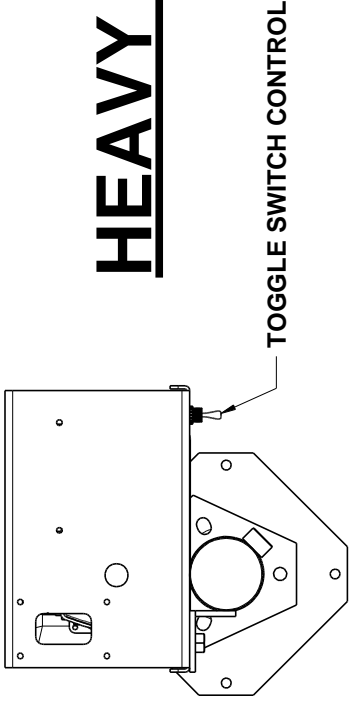
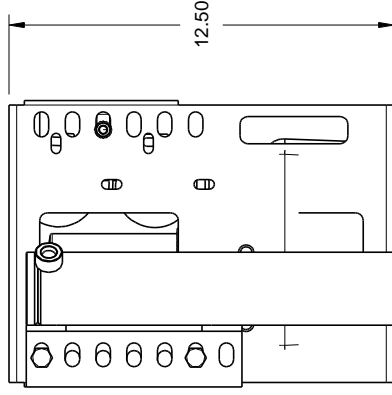
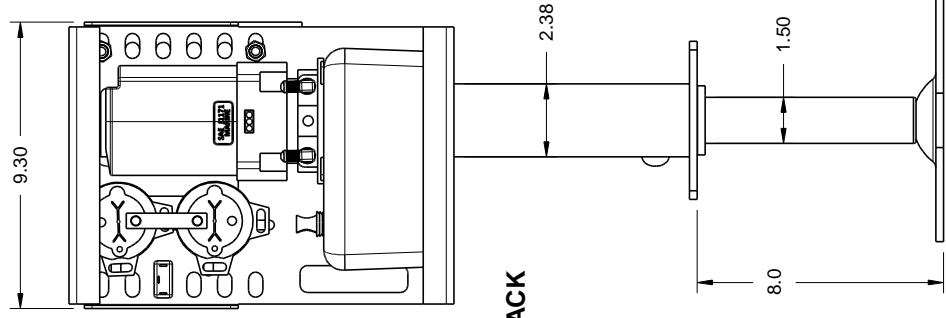
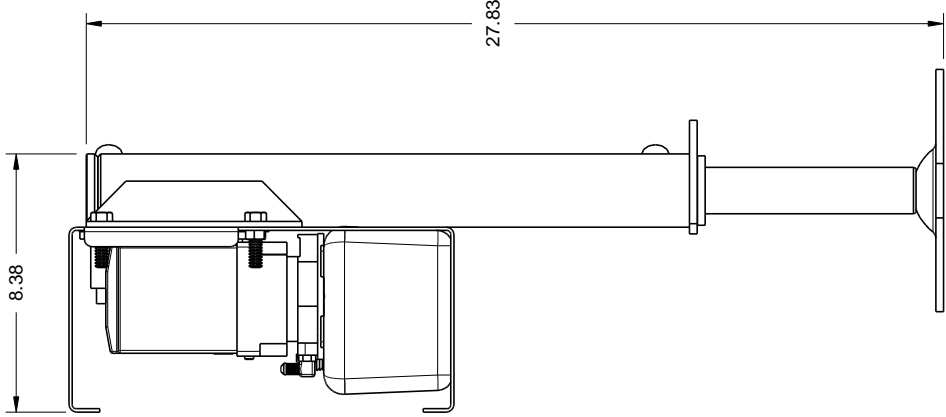
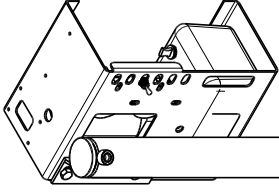


# QT-16 HEAVY DUTY TONGUE JACK



TOGGLE SWITCH CONTROL

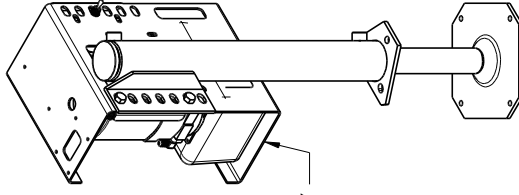
UNIVERSAL MOUNTING PLATE  
FOR 3/8" HARDWARE



QT-16 TONGUE JACK  
8k-lb CAPACITY  
16.5" STROKE

7" FOOTPAD

TANK ASSEMBLY



**QUADRA  
MANUFACTURING**

305 US 131 SOUTH  
WHITE PIGEON, MI 49099 483-9634  
(269) 483-9634  
483-9636 (FAX)

PART: 8k TONGUE JACK

ASSEMBLY: QT-16 (hd)

DRWG BY: B. SLACK > DATE: 6/20/12

TOLERANCES: X±.02 .XX±.010 .XXX±.005

MAT'L: N/A