

ELECTRONICS

Sequence of Operation

To turn wireless system on:

1. Push and release LCI button (Fig. 1A).
2. Push and release ON button (Fig. 1B).
3. System is now on and all functions can be operated

To turn wireless system off:

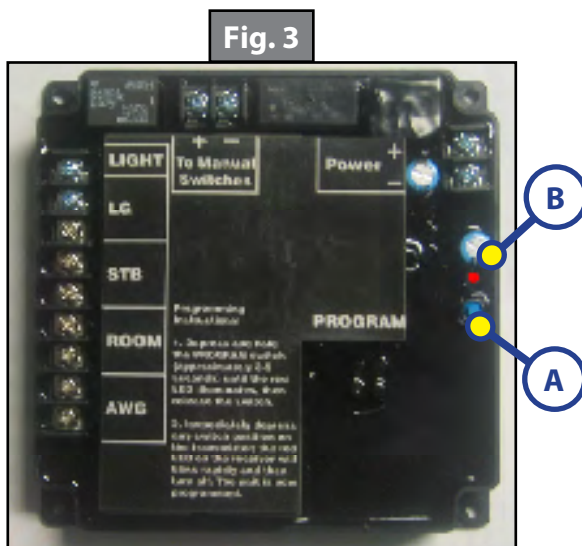
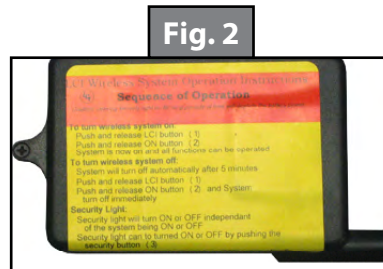
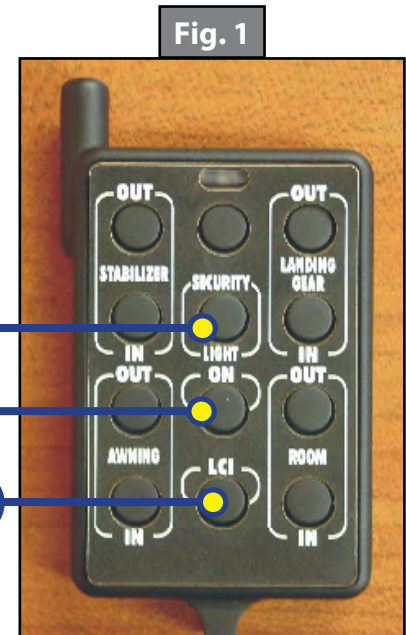
1. System will turn off automatically after 5 minutes.
2. Push and release LCI button (Fig. 1A).
3. Push and release ON button (Fig. 1B) system will turn off immediately.

Security Light:

1. Security light will turn ON or OFF independent of the system being ON or OFF.
2. [183734](#) - Rev A - Obsolete: Use RevB
3. Security light can be turned ON or OFF by pushing the security button (Fig. 1C).
4. Security light will not turn off automatically.

NOTE: Leaving security light on for extended periods of time will deplete battery power.

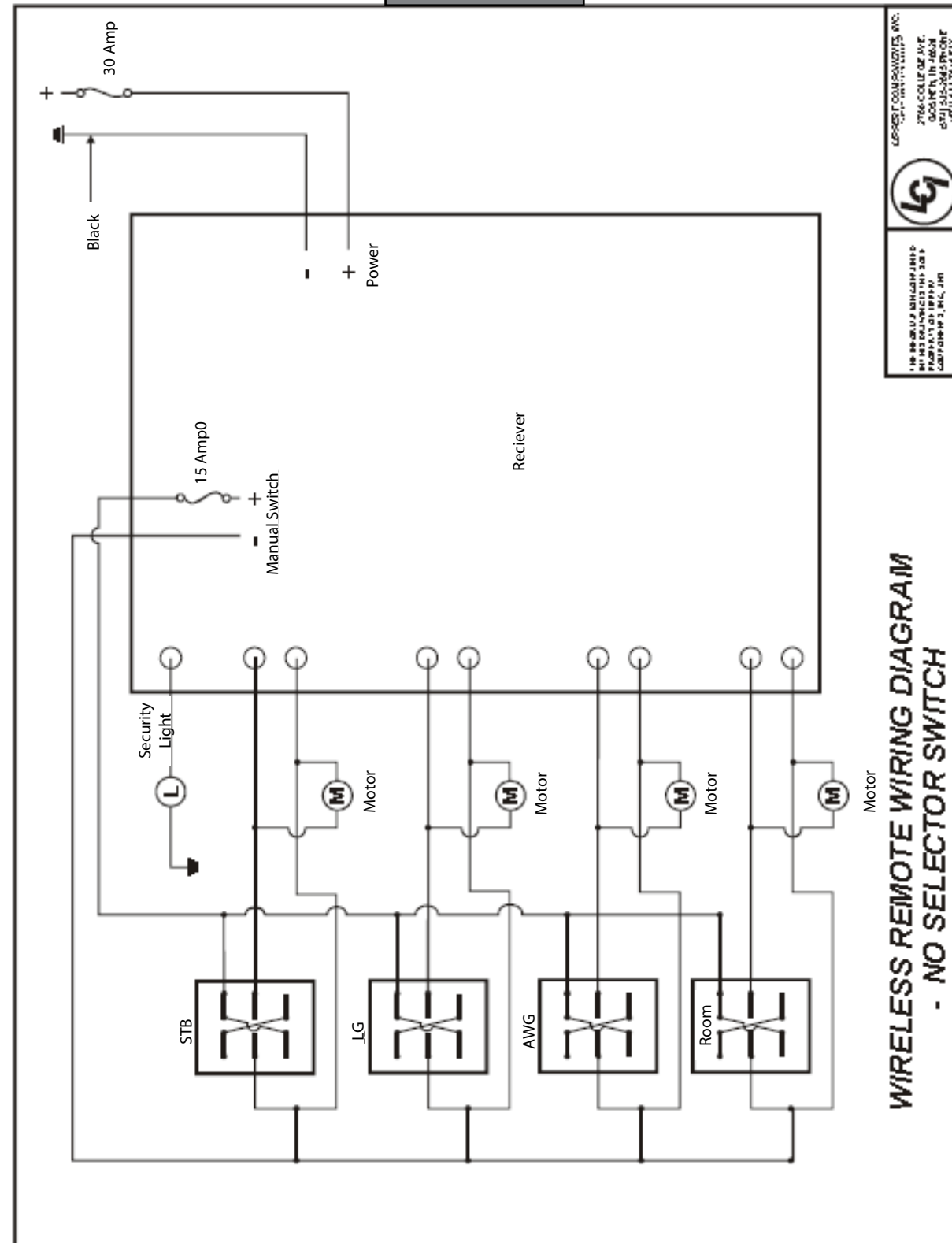
NOTE: These instructions can be found on the back of each wireless remote control (Fig. 2).



Programming the Transmitter

1. Push and hold blue reset button (Fig. 3A) on wireless remote module for approximately 5 seconds until red light (Fig. 3B) illuminates.
2. Push and hold any button on the transmitter for approximately 3 seconds until the red light begins to flash rapidly and then the LED will go out. Transmitter is now ready for use.

Wiring Diagram



If the wireless system is inoperative, troubleshooting can be performed fairly quickly.

1. Check the battery in the REMOTE. Replace if necessary.
2. Check for POWER into the receiver. If there is no POWER, check the protection device on the positive wire feeding the receiver. Reset or replace the protection device.
3. When POWER into the receiver is established, check for POWER out to the MANUAL SWITCHES. The positive wire also has a protection device in-line. If there is no power out to the MANUAL SWITCHES, reset or replace the protection device.
4. Reprogram remote to the receiver. See page 1.
5. If system is still inoperative, replace receiver. See pages 2 & 3 for the specific models. To order the needed part(s), the receiver label must be accurately identified. The receiver is common to all units.

As a supplier of components to the RV industry, safety, education and customer satisfaction are our primary concerns. Should you have any questions, please do not hesitate to contact us at (574) 537-8900 or by email at customerservice@lci1.com. Self-help tips, technical documents, product videos and a training class schedule are available at www.lci1.com or by downloading the MyLCI app.